



ASSEMBLY INSTRUCTIONS
COASTER FINE FURNITURE



Fine Furniture for every stage of life

900435
ACCENT CHAIR

REVISION 0:06/06/2019
REVISION 1:08/04/2022
REVISION 2:12/26/2023
REVISION 3:08/01/2024

PAGE 1 OF 3

COASTERFURNITURE.COM

ITEM: **900435**



ASSEMBLY INSTRUCTIONS

ASSEMBLY TIPS:

1. Remove hardware from box and sort by size.
2. Please check to see that all hardware and parts are present prior to start of assembly.
3. Please follow attached instructions in the same sequence as numbered to assure fast & easy assembly.



WARNING!




1. Don't attempt to repair or modify parts that are broken or defective. Please contact the store immediately.
2. This product is for home use only and not intended for commercial establishments.






ASSEMBLY TIME

20 MINUTES

PARTS IDENTIFICATION

A SEAT AND BACK		1PC
B FRONT LEG		2PCS
C BACK LEG		2PCS

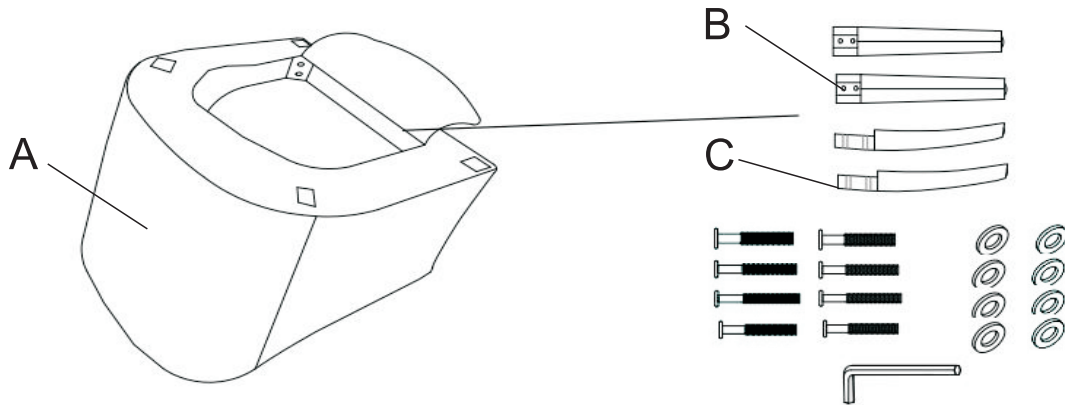
HARDWARE IDENTIFICATION

1 BOLTS (M8x40MM-SR)		8PCS
2 ALLEN WRENCH (M8 MM-SR)		1PC
3 WASHER (M8x20x1.5MM-SR)		8PCS

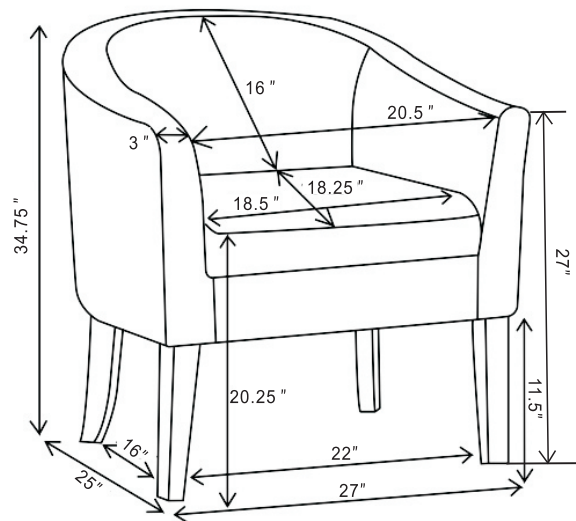
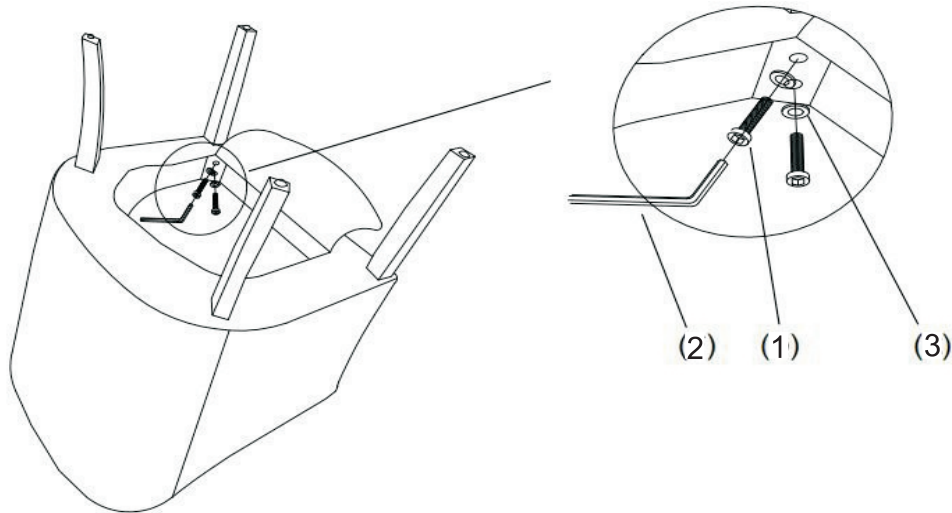
ITEM: 900435

ASSEMBLY INSTRUCTIONS

STEP 1



STEP 2



Note : Dimension tolerance $\pm 5\%$