

*ASSEMBLY INSTRUCTIONS*  
*COASTER FINE FURNITURE*



*Fine Furniture for every stage of life*

**552003**  
**CHAIR**

**ASSEMBLY INSTRUCTIONS**

**ASSEMBLY TIPS:**

1. Remove hardware from box and sort by size
2. Please check to see that all hardware and parts are present prior to start of assembly.
3. Please follow attached instruction in the same sequence as numbered to assure fast & easy assembly.



Warning!

1. Don't attempt to repair or modify parts that are broken or defective. Please contact the store immediately.
2. This product is for home use only and not intended for commercial establishment



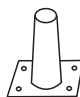


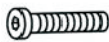

ASSEMBLY TIME

**5 MINUTES**

**PARTS IDENTIFICATION:**

**Z HARDWARE PACKAGE**

- A**    BASE                          1PC
- B**    BACK CUSHION                  1PC
- C**    LEG                                  4PCS

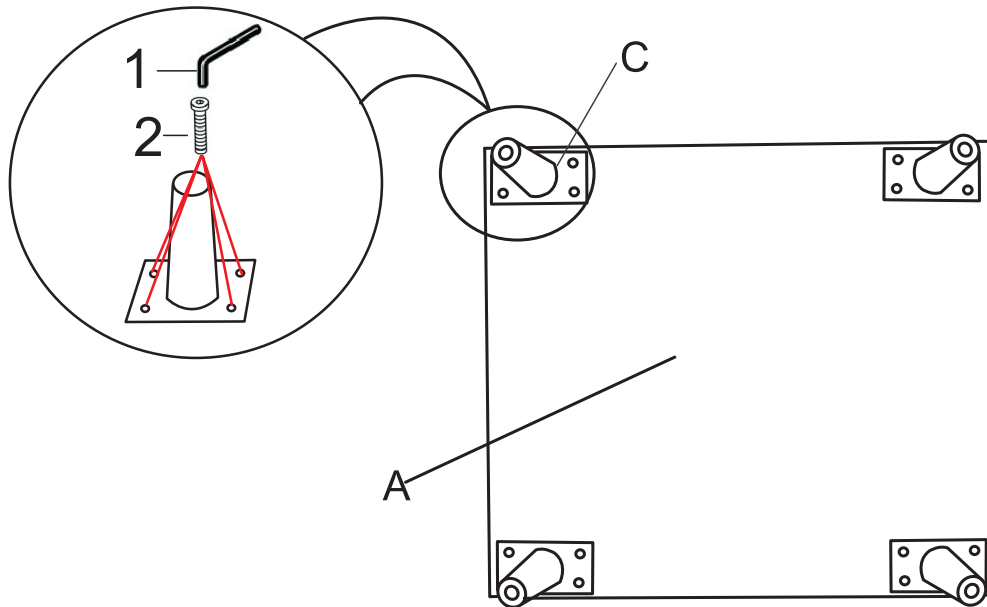
NO	DESCRIPTION	FIGURE	QTY
1	<b>BOLT (M6*25mm )- RBW</b>		<b>16PCS</b>
2	<b>ALLEN KEY (M6)-SR</b>		<b>1PC</b>

ITEM: **552003**

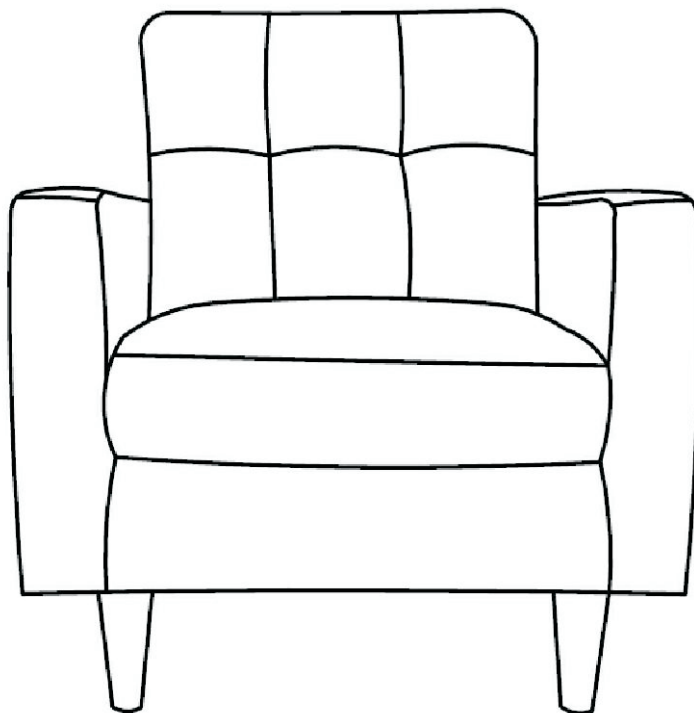


## ASSEMBLY INSTRUCTIONS

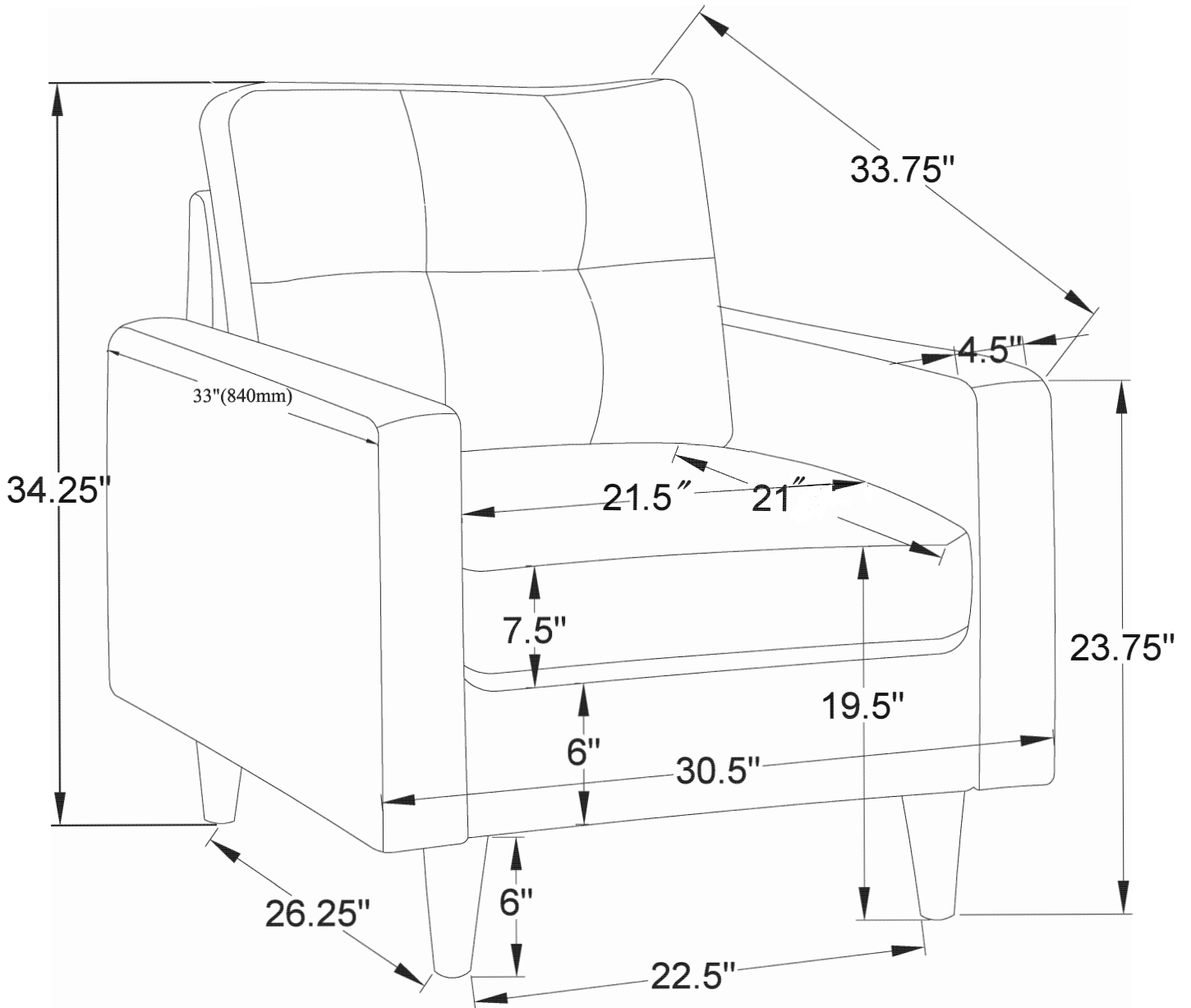
### STEP 1



### STEP 2



# ITEM NO: 552003



Note: Dimension tolerance  $\pm 5\%$