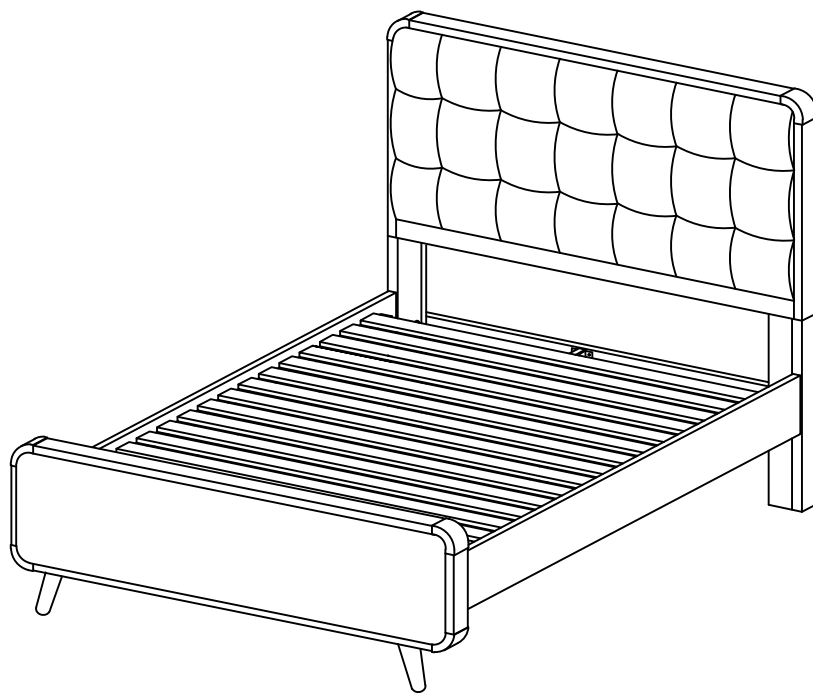


# ASSEMBLY INSTRUCTIONS COASTER FINE FURNITURE



*Fine Furniture for every stage of life*

**205131F (B1-B3)**  
**Full Bed**

# ITEM: 205131F (B1-B3)



## ASSEMBLY INSTRUCTIONS

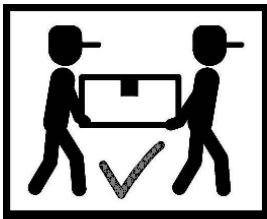
### ASSEMBLY TIPS:

1. Remove hardware from box and sort by size.
2. Please check to see that all hardware and parts are present prior to start of assembly.
3. Please follow attached instructions in the same sequence as numbered to assure fast & easy assembly.



### WARNING!

1. Don't attempt to repair or modify parts that are broken or defective. Please contact the store immediately.
2. This product is for home use only and not intended for commercial establishments.



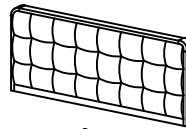
ASSEMBLY TIME

35 MINUTES

## PARTS IDENTIFICATION

### B1 (BOX 1)

A HEADBOARD PANEL



1PC

B LEFT HEADBOARD LEG



1PC

C RIGHT HEADBOARD LEG



1PC

D HEADBOARD BOTTOM RAIL



1PC

### B2 (BOX 2)

E FOOTBOARD PANEL



1PC

F FOOTBOARD LEG



2PCS

### B3 (BOX 3)

G BED RAIL



2PCS

H CENTER RAIL



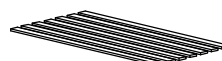
1PC

I CENTER RAIL SUPPORT WITH LEVELER



2PCS

J ROLL SLAT (7PCS)



2SETS

# ITEM: 205131F (B1-B3)



## ASSEMBLY INSTRUCTIONS

### ASSEMBLY TIPS:

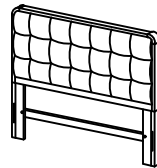
1. Remove hardware from box and sort by size.
2. Please check to see that all hardware and parts are present prior to start of assembly.
3. Please follow attached instructions in the same sequence as numbered to assure fast & easy assembly.



### WARNING!

1. Don't attempt to repair or modify parts that are broken or defective. Please contact the store immediately.
2. This product is for home use only and not intended for commercial establishments.

**HB**      **205131F (B1)**  
**FROM BOX 1**  
**HEADBOARD COMPLETE**



**1PC**

**FB**      **205131F (B2)**  
**FROM BOX 2**  
**FOOTBOARD COMPLETE**



**1PC**

# ITEM:205131F (B1-B3)



## ASSEMBLY INSTRUCTIONS

### ASSEMBLY TIPS:

1. Remove hardware from box and sort by size.
2. Please check to see that all hardware and parts are present prior to start of assembly.
3. Please follow attached instructions in the same sequence as numbered to assure fast & easy assembly.



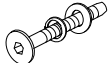
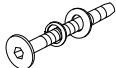







### WARNING!

1. Don't attempt to repair or modify parts that are broken or defective. Please contact the store immediately.
2. This product is for home use only and not intended for commercial establishments.

## HARDWARE IDENTIFICATION

### Z-B3 (BOX 3) - HARDWARE PACK IS LOCATED IN 205131F (B3)

1	<b>ALLEN WRENCH</b> (M4 x 110mm - BLK)		1PC
2	<b>SHORT BOLT WITH WASHER</b> (M6 x 25mm - BLK)		8PCS
3	<b>MEDIUM BOLT WITH WASHER</b> (M6 x 45mm - BLK)		12PCS
4	<b>LONG BOLT WITH WASHER</b> (M6 x 60mm - BLK)		4PCS
5	<b>SHORT FLAT HEAD SCREW</b> (M4 x 20mm - BLK)		8PCS
6	<b>LONG FLAT HEAD SCREW</b> (#8 x 1 1/8" - BLK)		28PCS
7	<b>HEX NUT</b> (M6 - RBW)		2PCS
8	<b>U BRACKET</b> (26 x 63 x 70mm - RBW)		2PCS
9	<b>WRENCH</b> (2 x 24.5 x 85 - RBW)		1PC

### NOTE:

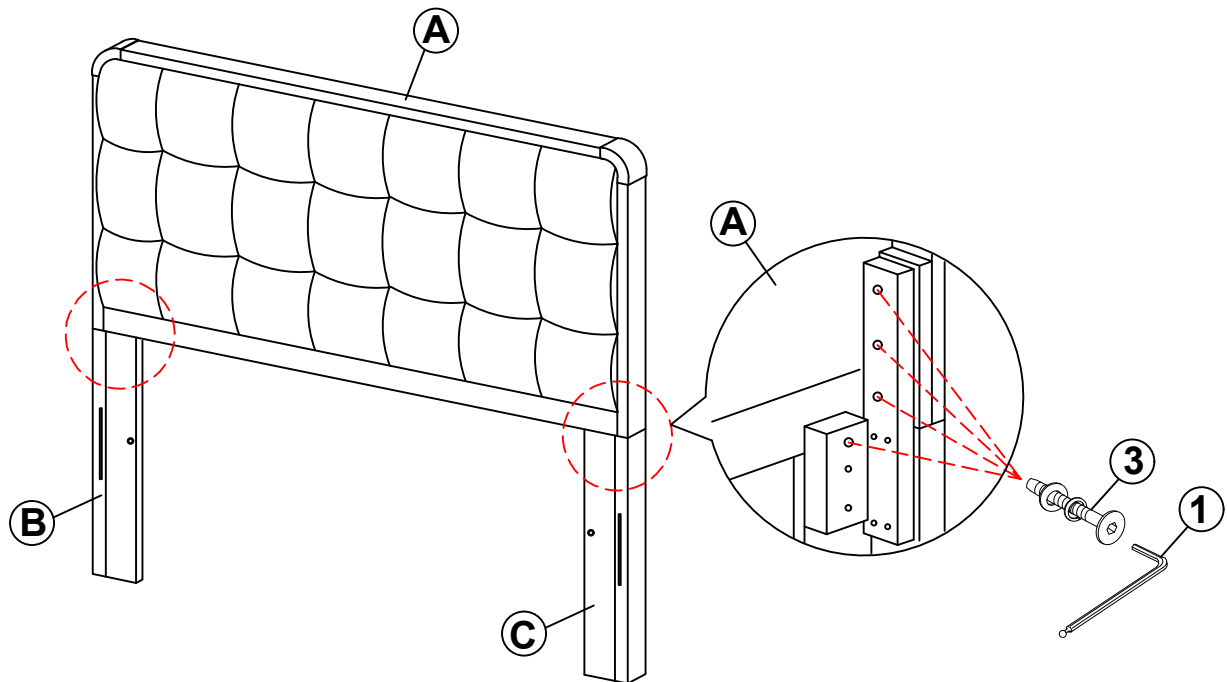
Phillips head screw driver is required in the assembly process; however, manufacturer does not provide this item.

ITEM: **205131F (B1-B3)**

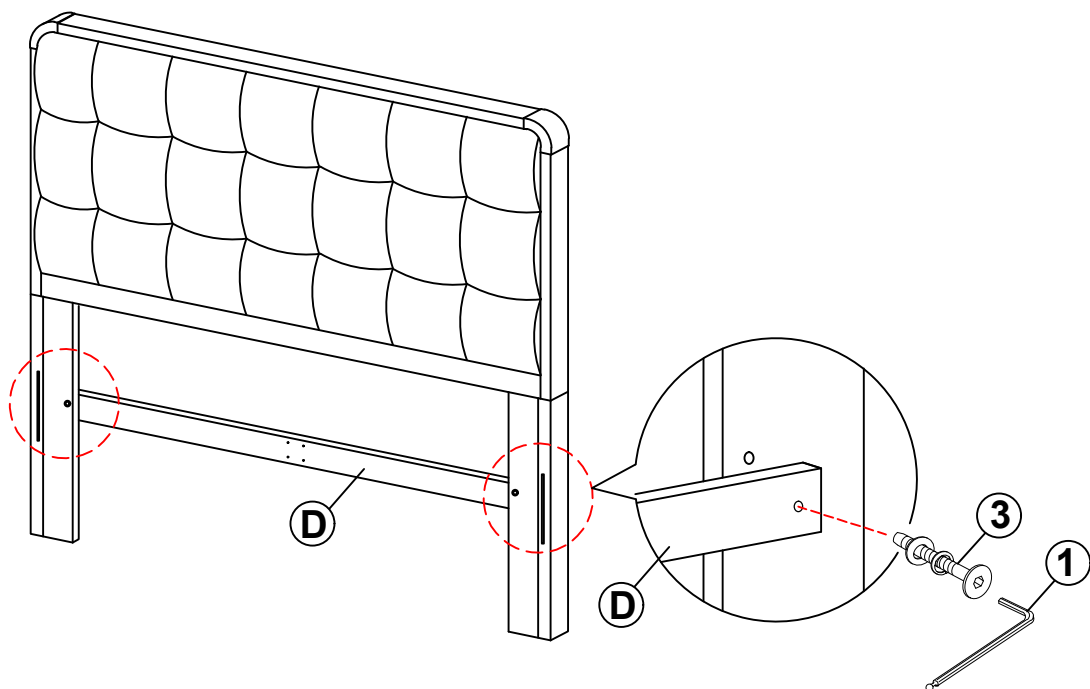


## ASSEMBLY INSTRUCTIONS

### STEP 1



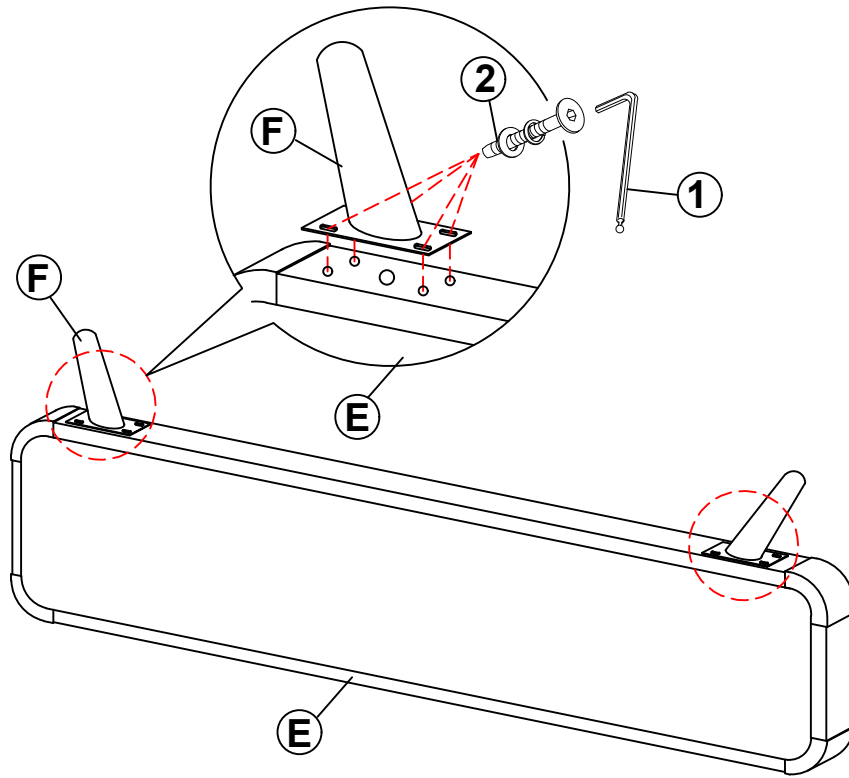
### STEP 2



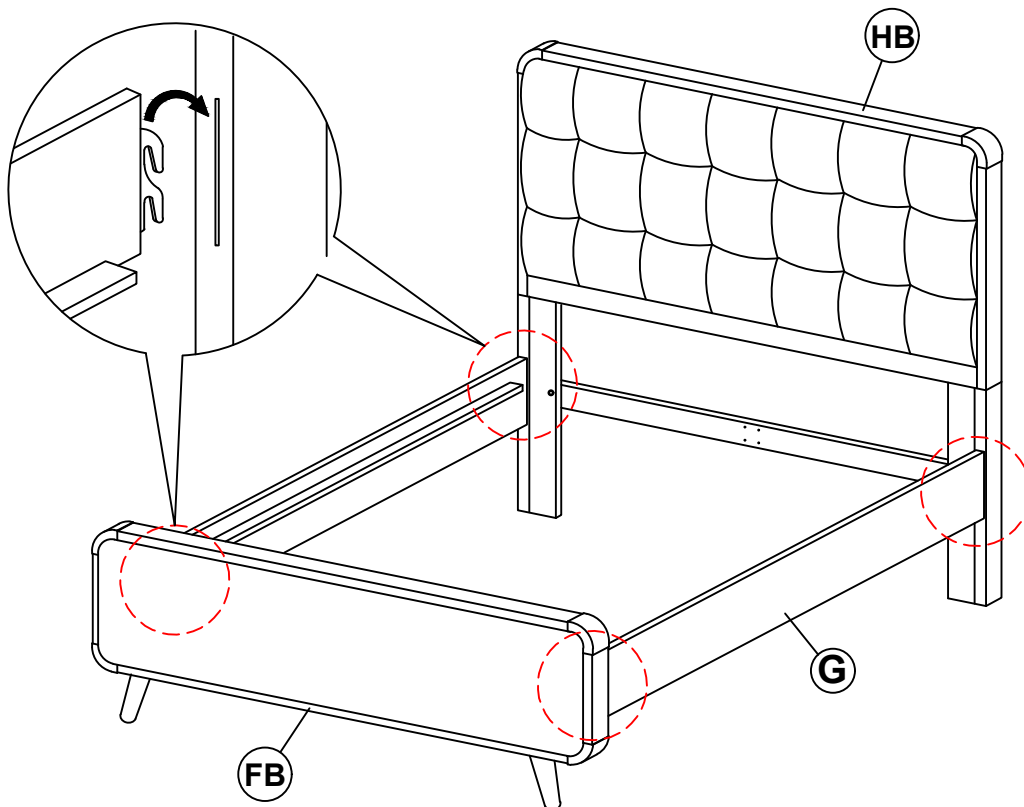
ITEM: 205131F (B1-B3)



**ASSEMBLY INSTRUCTIONS**  
**STEP 3**



**STEP 4**

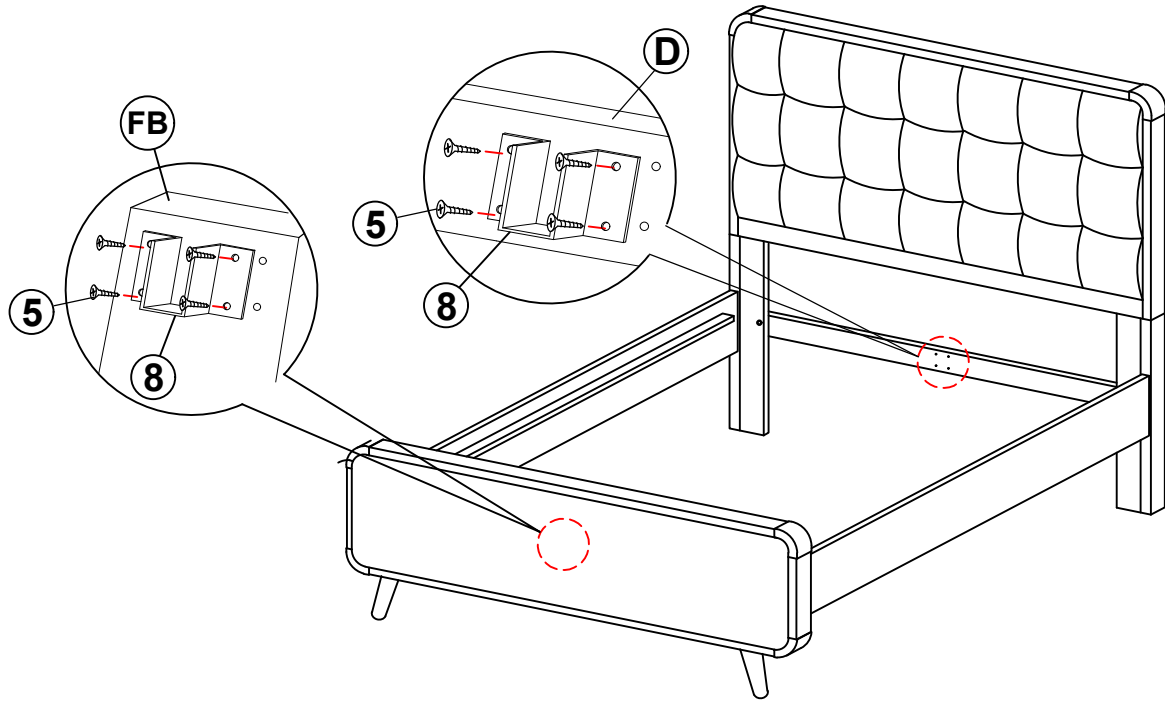


ITEM: 205131F (B1-B3)



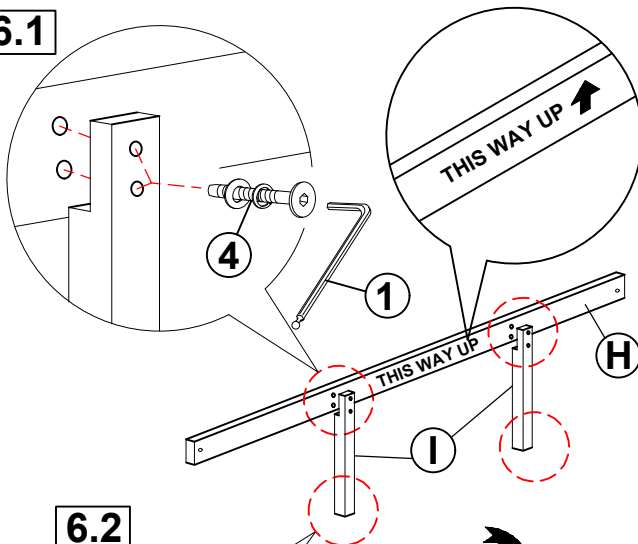
# ASSEMBLY INSTRUCTIONS

## STEP 5

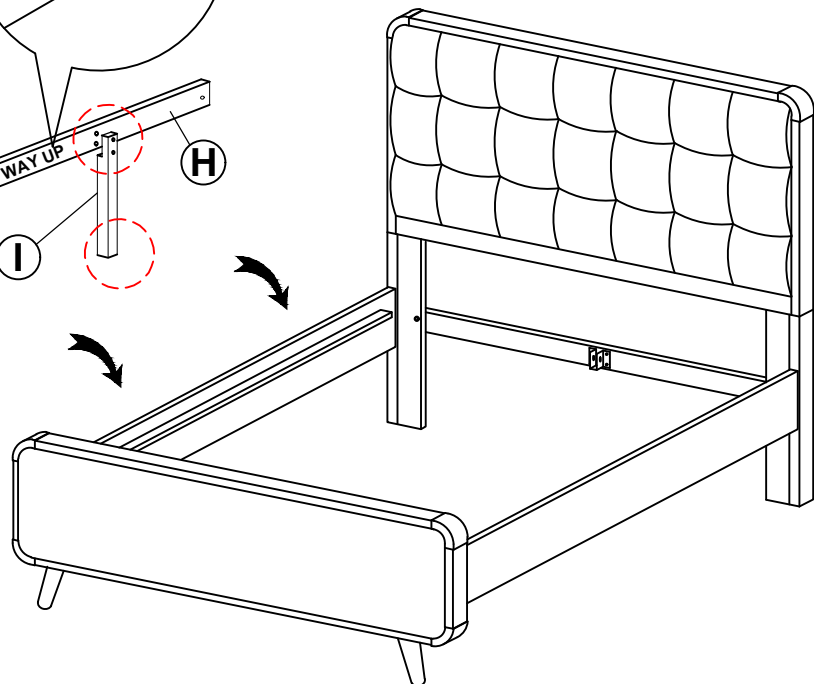
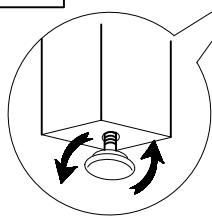


## STEP 6

6.1



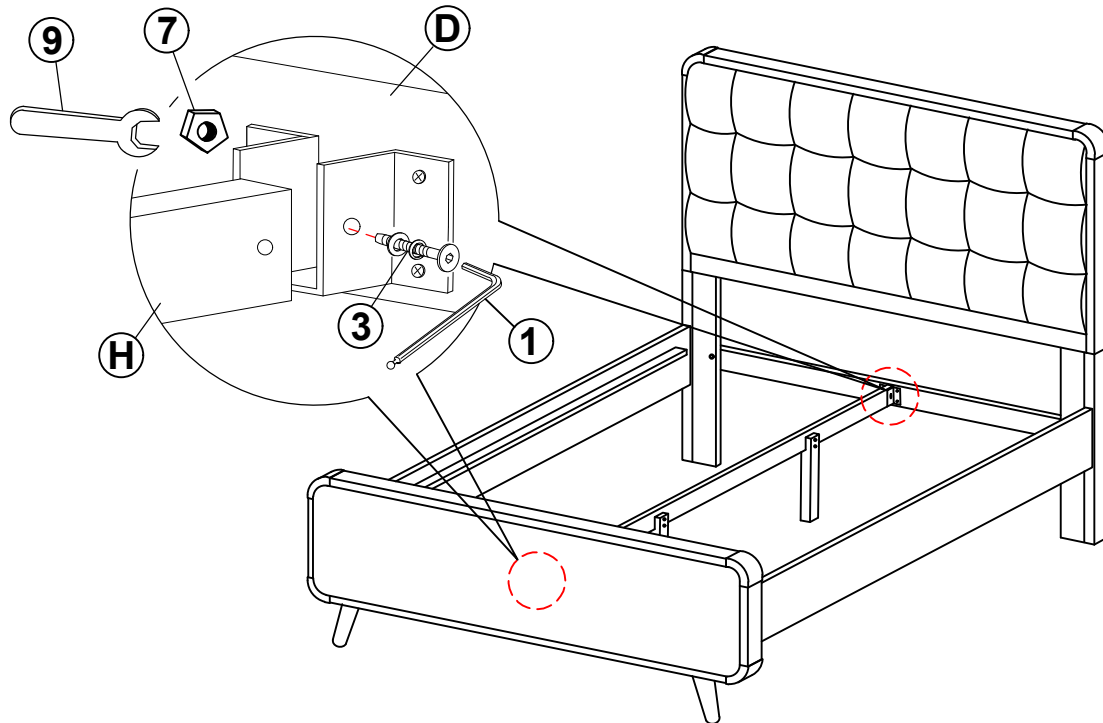
6.2



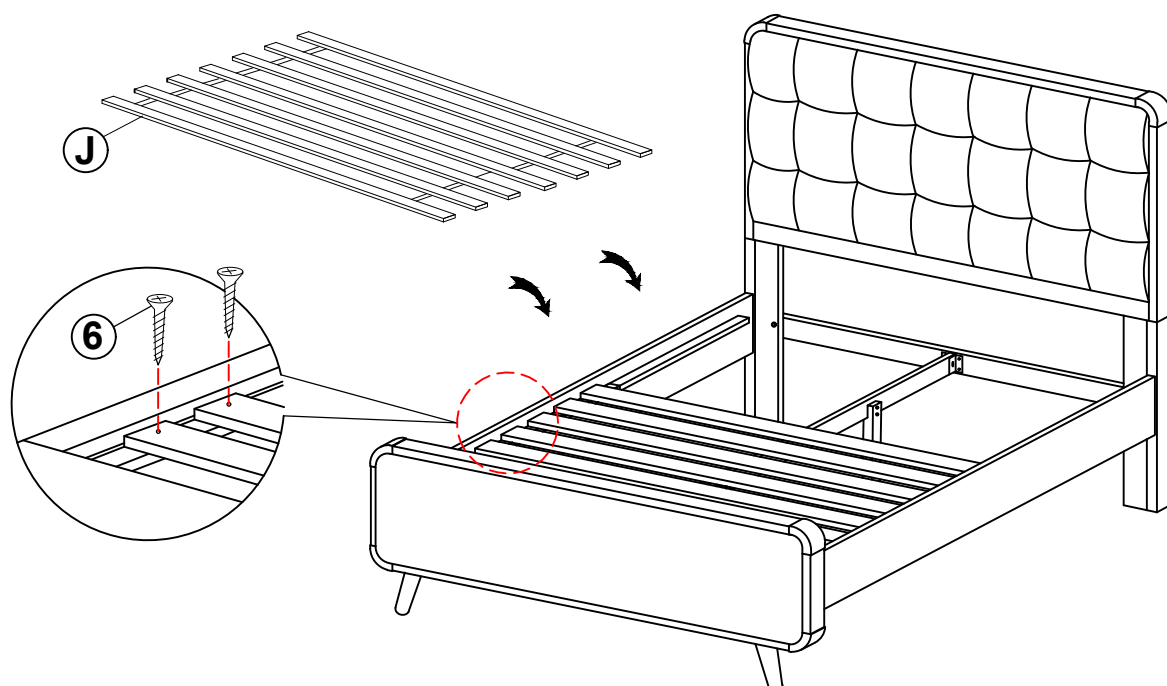
ITEM: 205131F (B1-B3)



**ASSEMBLY INSTRUCTIONS**  
**STEP 7**



**STEP 8**



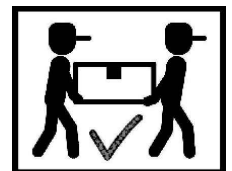
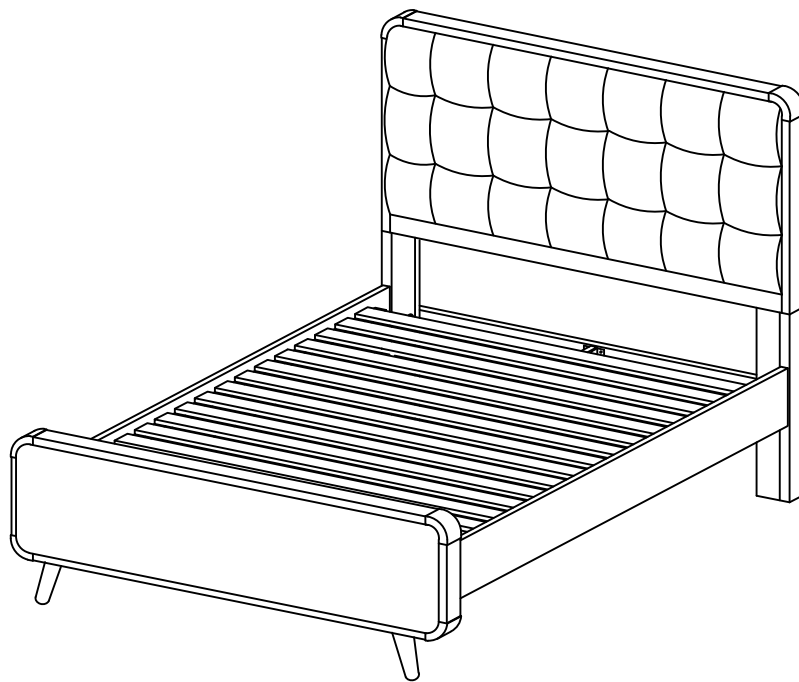


ITEM: **205131F (B1-B3)**



## ASSEMBLY INSTRUCTIONS

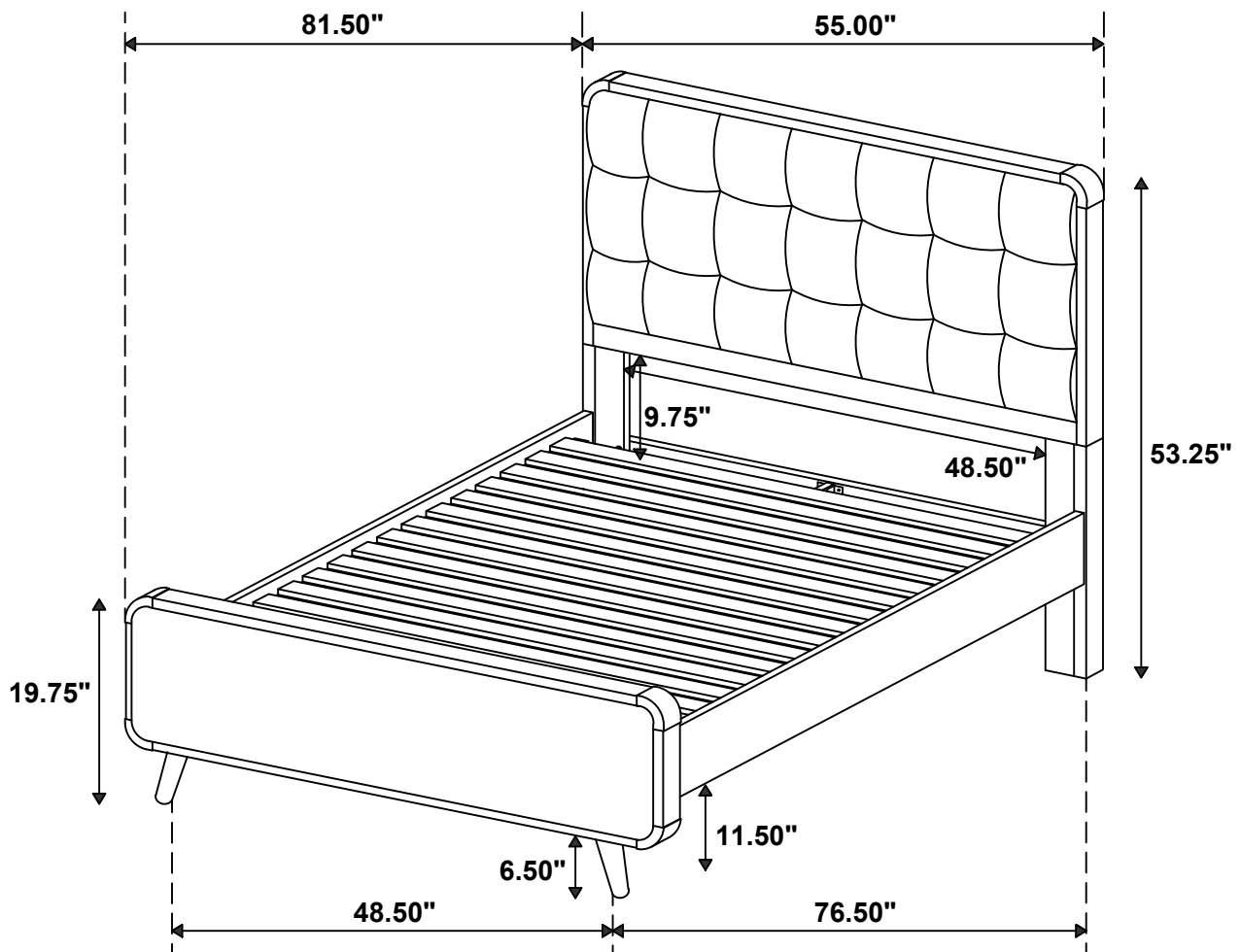
**STEP 9**  
**COMPLETE**



ITEM:205131F (B1-B3)



Inner Size : 54.50"W x 76.00"D



Note : Dimension tolerance  $\pm 5\%$