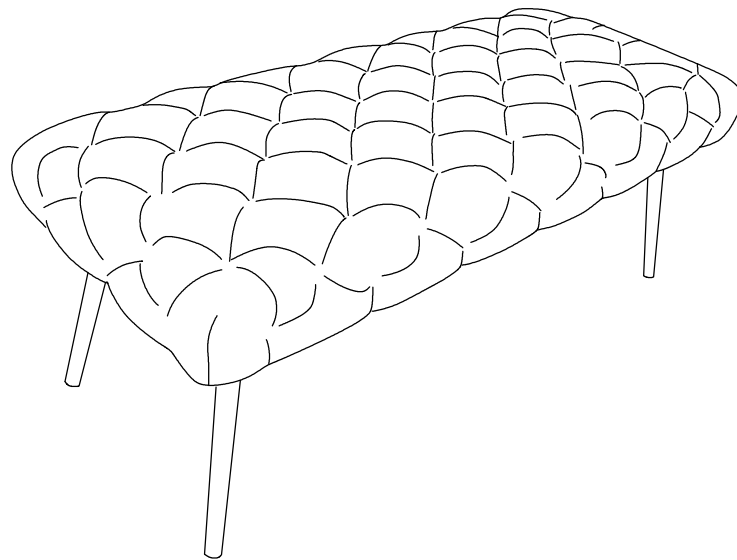


ASSEMBLY INSTRUCTIONS
COASTER FINE FURNITURE



Fine Furniture for every stage of life

910335
Bench

REVISION 0 : 12/16/2024
REVISION 1 : 08/28/2025

ITEM: 910335



ASSEMBLY INSTRUCTIONS

ASSEMBLY TIPS:

- 1. Remove hardware from box and sort by size.
- 2. Please check to see that all hardware and parts are present prior to start of assembly.
- 3. Please follow attached instructions in the same sequence as numbered to assure fast & easy assembly.



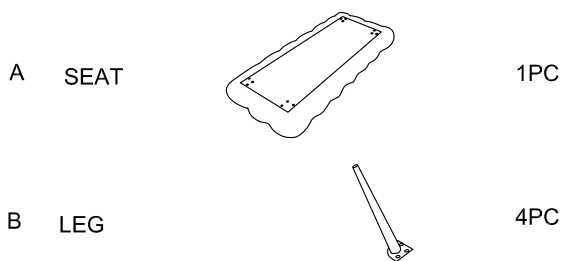
WARNING!

- 1. Don't attempt to repair or modify parts that are broken or defective. Please contact the store immediately.
- 2. This product is for home use only and not intended for commercial establishments.

ASSEMBLY TIME

10 MINUTES

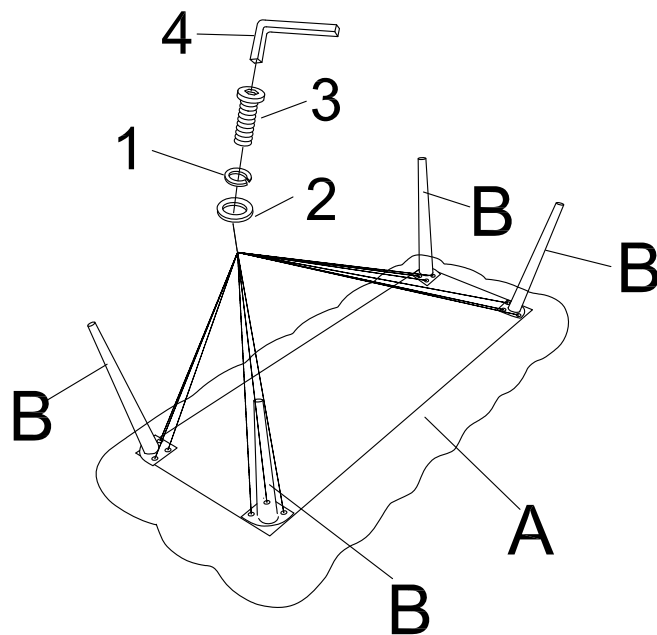
PARTS IDENTIFICATION



Z HARDWARE IDENTIFICATION

NO	DESCRIPTION	FIGURE	Q' TY
1	LOCK WASHER 1/4"		12PCS
2	FLAT WASHER 1/4"*19mm		12PCS
3	BOLT 1/4X1-1/2"		12PCS
4	ALLEN KEY 4mm		1PC

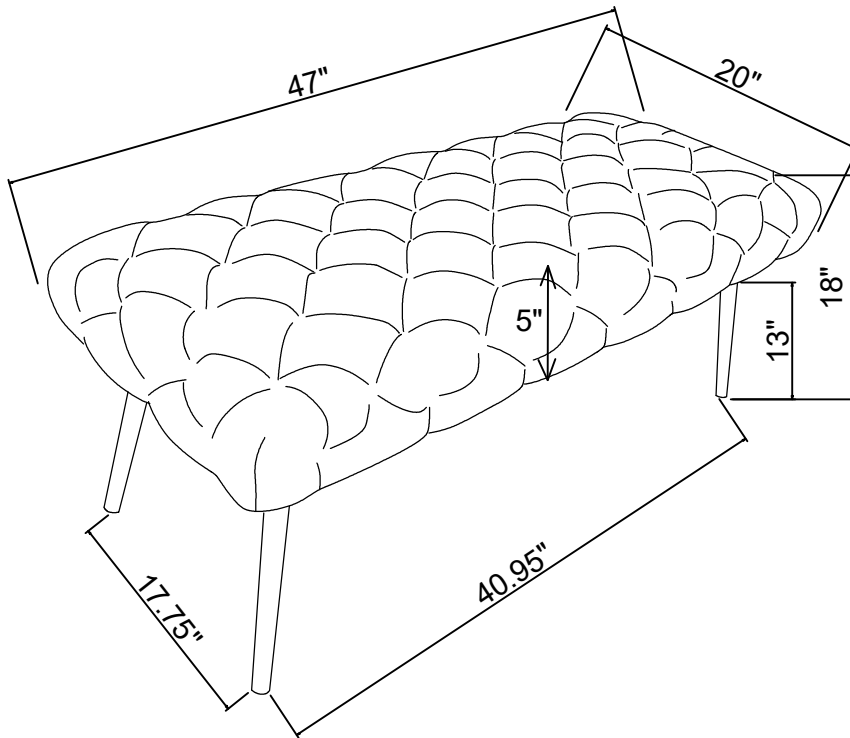
STEP: 1



ITEM: 910335



ASSEMBLY INSTRUCTIONS



Note: Dimension tolerance $\pm 5\%$