

**ASSEMBLY INSTRUCTIONS**  
**COASTER FINE FURNITURE**



*Fine Furniture for every stage of life*

**310091Q(B1&B2)**  
**Queen Bed**

# ITEM: 310091Q(B1&B2)



## ASSEMBLY INSTRUCTIONS

### ASSEMBLY TIPS:

1. Remove hardware from box and sort by size.
2. Please check to see that all hardware and parts are present prior to start of assembly.
3. Please follow attached instructions in the same sequence as numbered to assure fast & easy assembly.



### WARNING!

1. Don't attempt to repair or modify parts that are broken or defective. Please contact the store immediately.
2. This product is for home use only and not intended for commercial establishments.



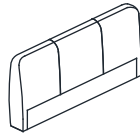
ASSEMBLY TIME

20 MINUTES

## PARTS IDENTIFICATION

### B1 (BOX 1)

A HEADBOARD PANEL



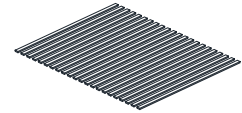
1PC

B LEG



4PCS

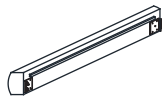
C ROLL SLAT (22PCS)



1SET

### B2 (BOX 2)

D LEFT BED RAIL  
(WITH "D" LABEL)



1PC

E RIGHT BED RAIL  
(WITH "E" LABEL)



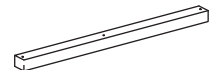
1PC

F FOOTBOARD PANEL



1PC

G CENTER RAIL



1PC

H CENTER RAIL SUPPORT  
WITH LEVELER



3PCS

### NOTE:

Phillips head screw driver is required in the assembly process; however, manufacturer does not provided this item.

# ITEM: 310091Q(B1&B2)

## ASSEMBLY INSTRUCTIONS

### ASSEMBLY TIPS:

1. Remove hardware from box and sort by size.
2. Please check to see that all hardware and parts are present prior to start of assembly.
3. Please follow attached instructions in the same sequence as numbered to assure fast & easy assembly.



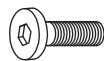
### WARNING!

1. Don't attempt to repair or modify parts that are broken or defective. Please contact the store immediately.
2. This product is for home use only and not intended for commercial establishments.

## HARDWARE IDENTIFICATION

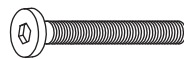
### Z-B2 (BOX 2) - HARDWARE PACK IS LOCATED IN 310091Q(B2)

1 SHORT BOLT  
(M8 x 20MM - RBW)



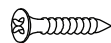
8PCS

2 LONG BOLT  
(M6 x 50MM - RBW)



8PCS

3 FLAT HEAD SCREW  
(M4 x 32MM - RBW)



6PCS

4 SMALL ALLEN WRENCH  
(M4 x 100MM - BLK)



1PC

5 BIG ALLEN WRENCH  
(M5 x 65MM - BLK)



1PC

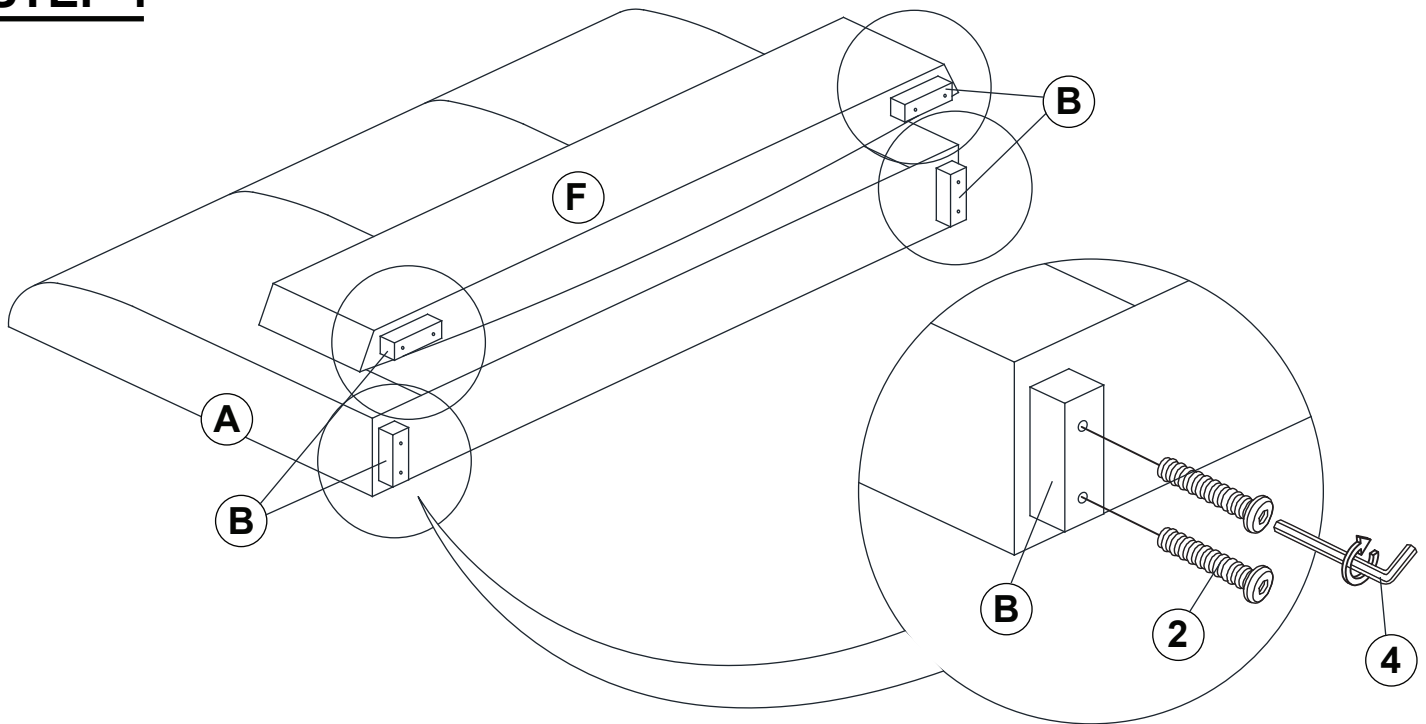
### NOTE:

Phillips head screw driver is required in the assembly process; however, manufacturer does not provided this item.

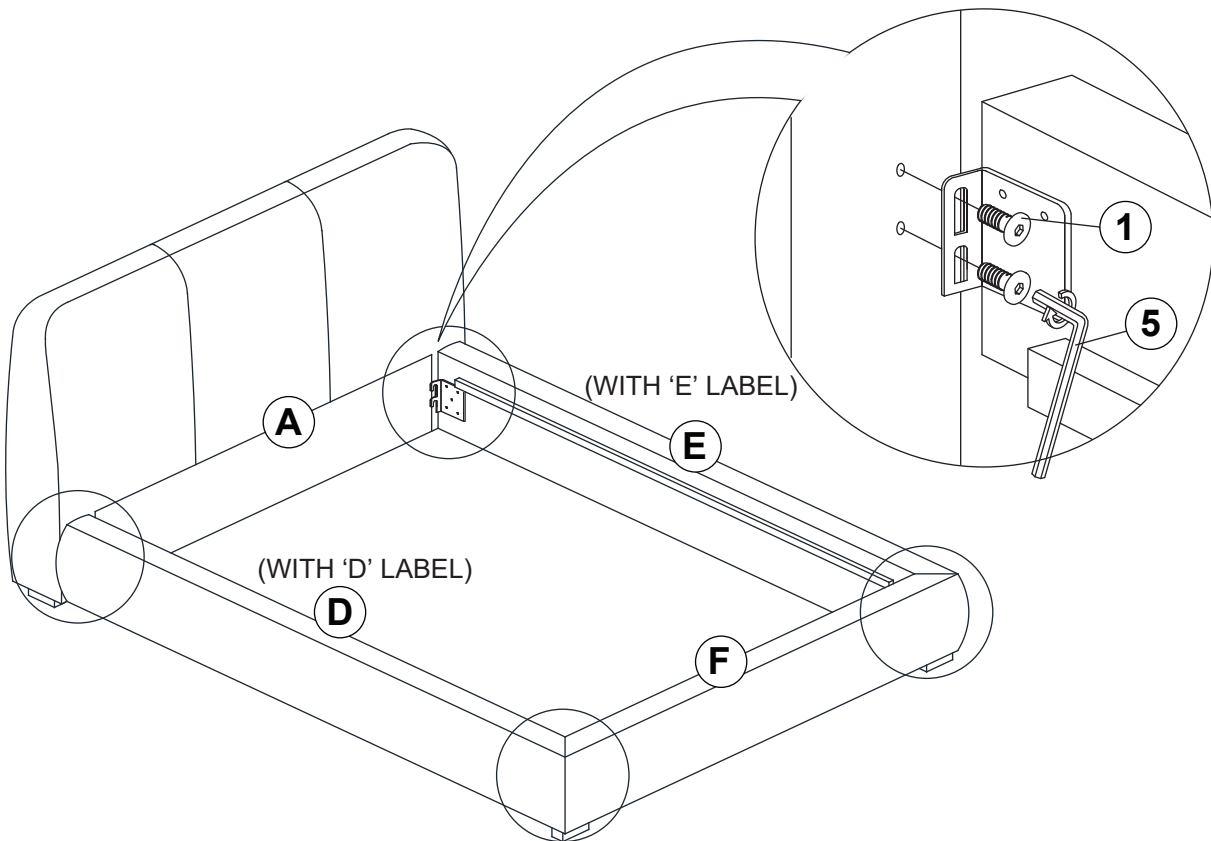
ITEM: **310091Q(B1&B2)**

**ASSEMBLY INSTRUCTIONS**

**STEP 1**



**STEP 2**

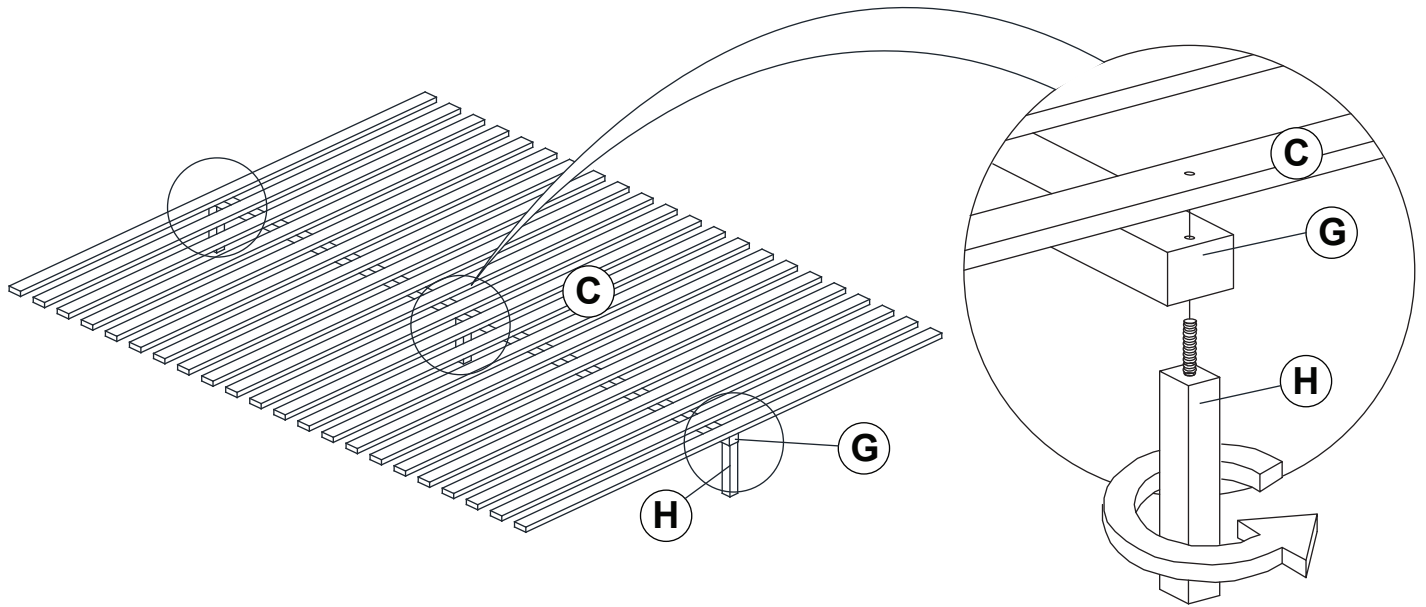


ITEM: **310091Q(B1&B2)**

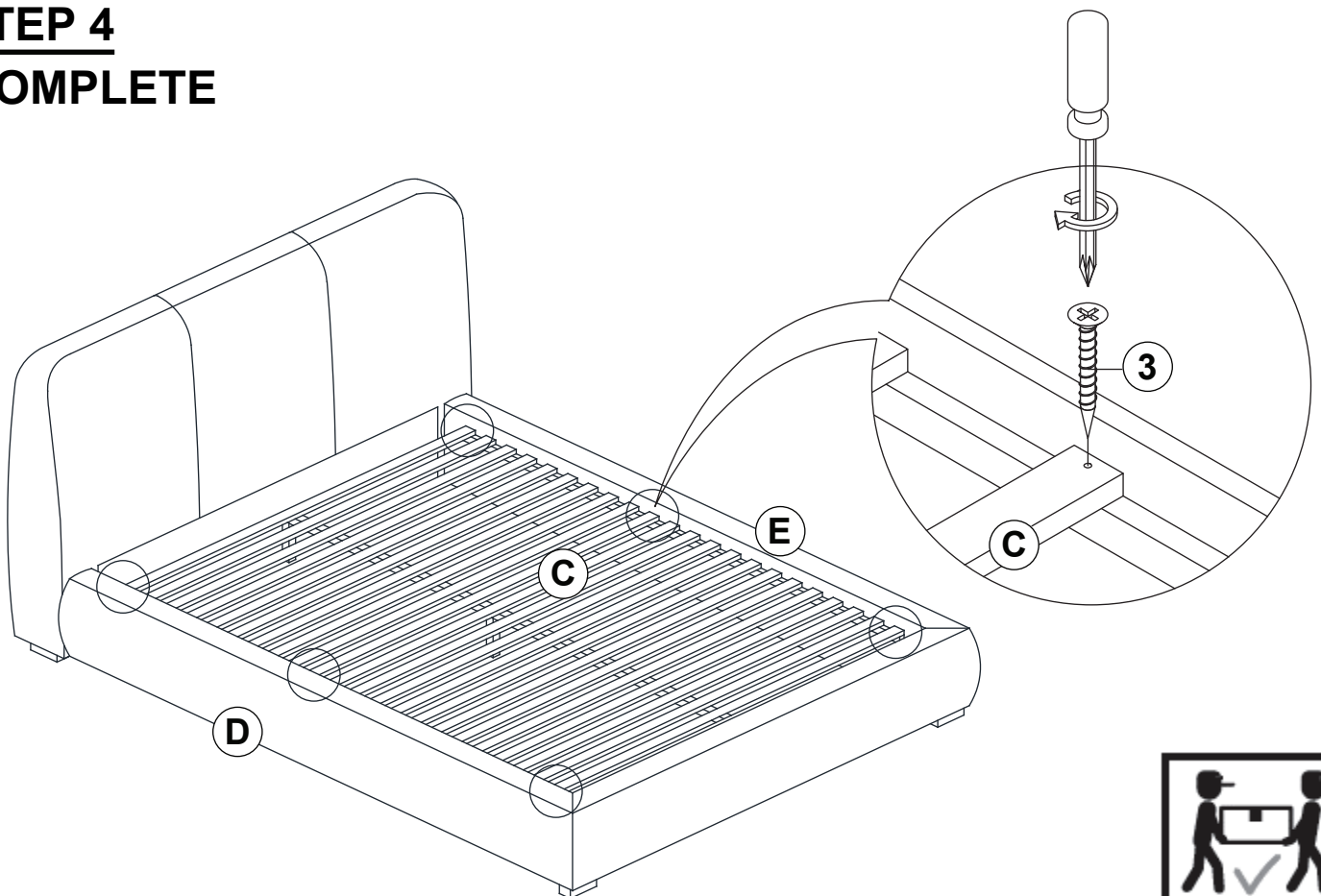


**ASSEMBLY INSTRUCTIONS**

**STEP 3**



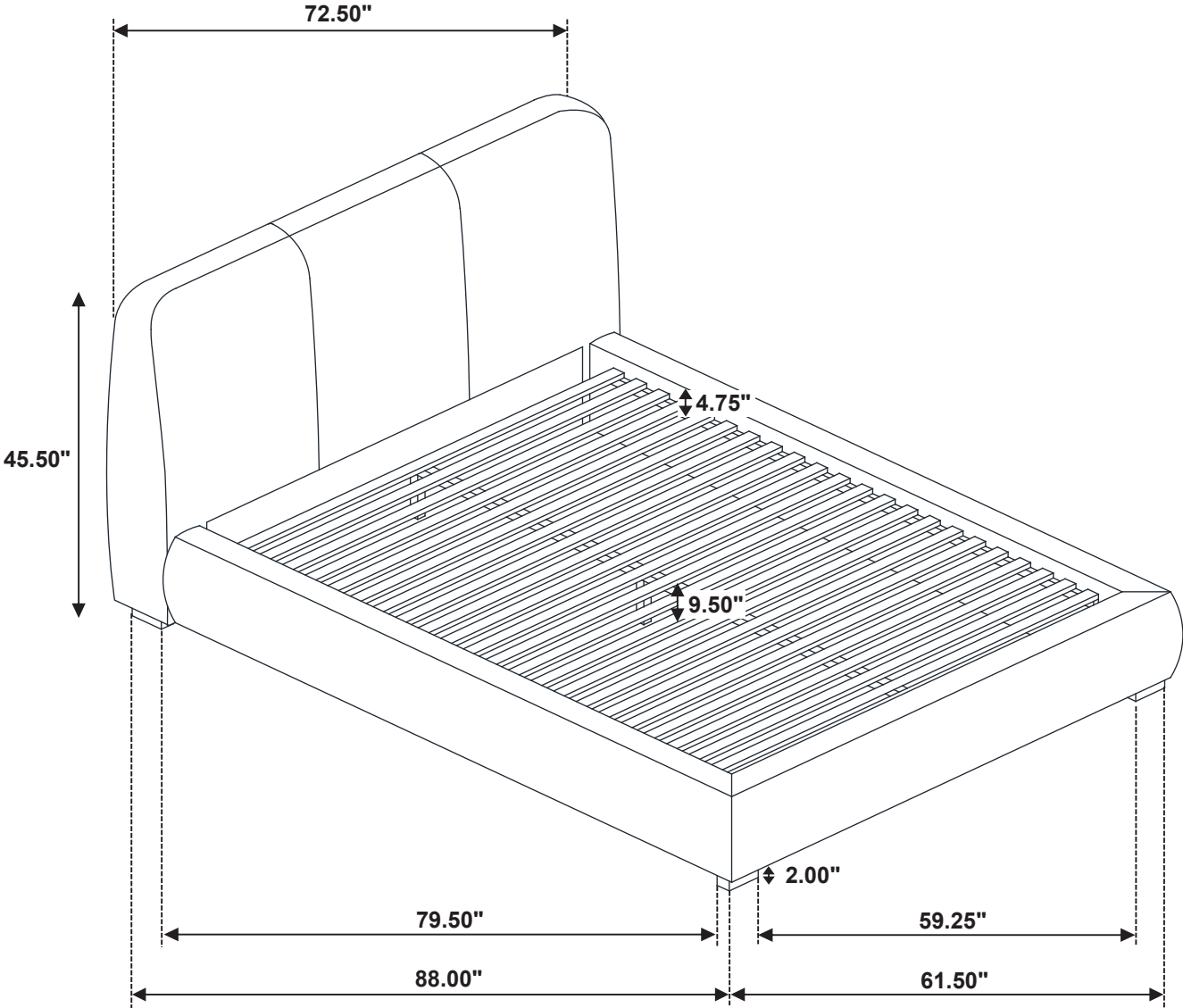
**STEP 4**  
**COMPLETE**



ITEM: **310091Q(B1&B2)**



Inner size: 60.75"W X 80.50"D



Note : Dimension tolerance  $\pm 5\%$