



*ASSEMBLY INSTRUCTIONS*  
*COASTER FINE FURNITURE*



*Fine Furniture for every stage of life*

**601520(B1-B3)**  
**Sectional**

# ITEM: 601520(B1-B3)



## ASSEMBLY INSTRUCTIONS

### ASSEMBLY TIPS:

1. Remove hardware from box and sort by size.
2. Please check to see that all hardware and parts are present prior to start of assembly.
3. Please follow attached instructions in the same sequence as numbered to assure fast & easy assembly.



### WARNING!

1. Don't attempt to repair or modify parts that are broken or defective. Please contact the store immediately.
2. This product is for home use only and not intended for commercial establishments.

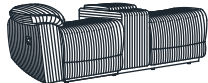






ASSEMBLY TIME





20 MINUTES

## PARTS IDENTIFICATION

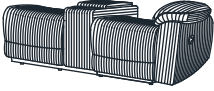




### B1 (BOX 1)

A	LAF SEAT FRAME		1PC	D	LAF RIGHT BACK		1PC
B	LAF LEFT BACK		1PC	E	LAF ARM		1PC
C	LAF CONSOLE BACK		1PC				

### B2 (BOX 2)

F	WEDGE		1PC	H	WEDGE RIGHT BACK		1PC
G	WEDGE LEFT BACK		1PC	I	FOOT		5PCS

### B3 (BOX 3)

J	RAF SEAT FRAME		1PC	M	RAF RIGHT BACK		1PC
K	RAF LEFT BACK		1PC	N	RAF ARM		1PC
L	RAF CONSOLE BACK		1PC				

### NOTE:

Phillips head screw driver is required in the assembly process; however, manufacturer does not provided this item.

# ITEM: 601520(B1-B3)



## ASSEMBLY INSTRUCTIONS

### ASSEMBLY TIPS:

1. Remove hardware from box and sort by size.
2. Please check to see that all hardware and parts are present prior to start of assembly.
3. Please follow attached instructions in the same sequence as numbered to assure fast & easy assembly.







### WARNING!

1. Don't attempt to repair or modify parts that are broken or defective. Please contact the store immediately.
2. This product is for home use only and not intended for commercial establishments.

## HARDWARE IDENTIFICATION





### Z-B1 (BOX 1) - HARDWARE PACK IS LOCATED IN 601520(B1)

1	<b>BOLT</b> (M6 x 50MM - RBW)		3PCS	3	<b>FLAT WASHER</b> (1/4" x 19 Ø - RBW)		3PCS
2	<b>LOCK WASHER</b> (1/4" x 12 Ø - RBW)		3PCS	4	<b>ALLEN WRENCH</b> (M4 x 100MM - RBW)		1PC

### Z-B2 (BOX 2) - HARDWARE PACK IS LOCATED IN 601520(B2)

5	<b>FLAT HEAD SCREW</b> (M4 x 45MM - RBW)		5PCS
---	---	---	------

### Z-B3 (BOX 3) - HARDWARE PACK IS LOCATED IN 601520(B3)

6	<b>BOLT</b> (M6 x 50MM - RBW)		3PCS	8	<b>FLAT WASHER</b> (1/4" x 19 Ø - RBW)		3PCS
7	<b>LOCK WASHER</b> (1/4" x 12 Ø - RBW)		3PCS	9	<b>ALLEN WRENCH</b> (M4 x 100MM - RBW)		1PC

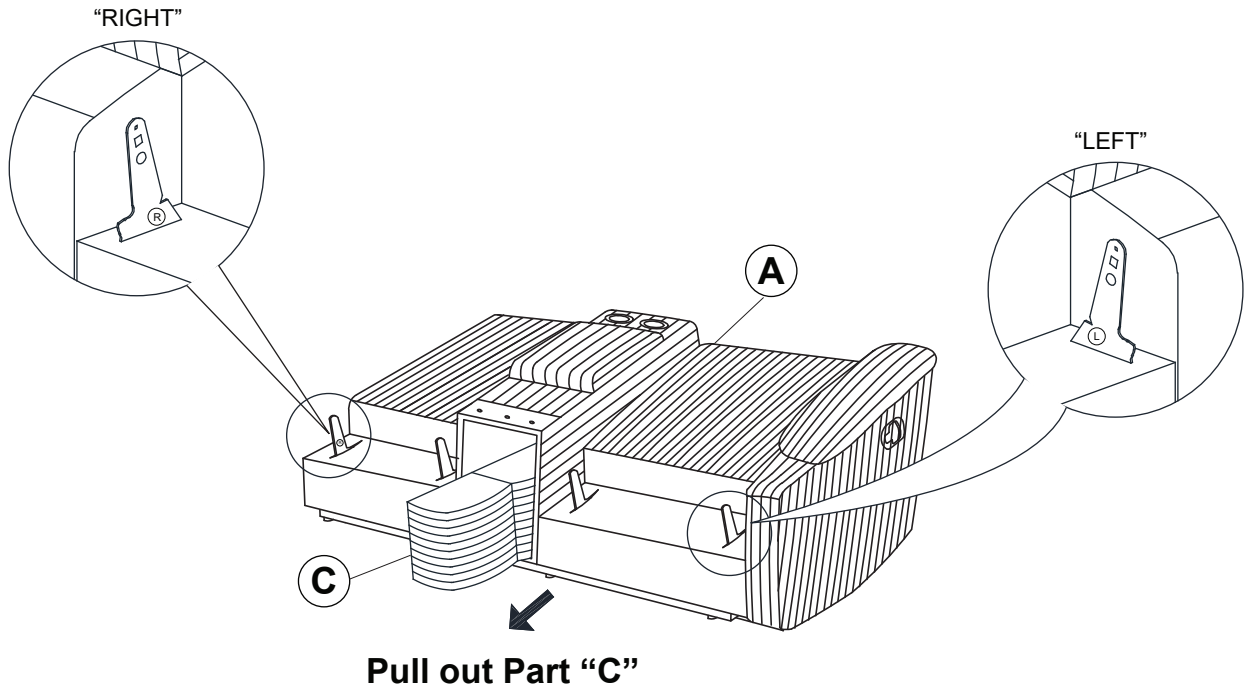
### NOTE:

Phillips head screw driver is required in the assembly process; however, manufacturer does not provided this item.

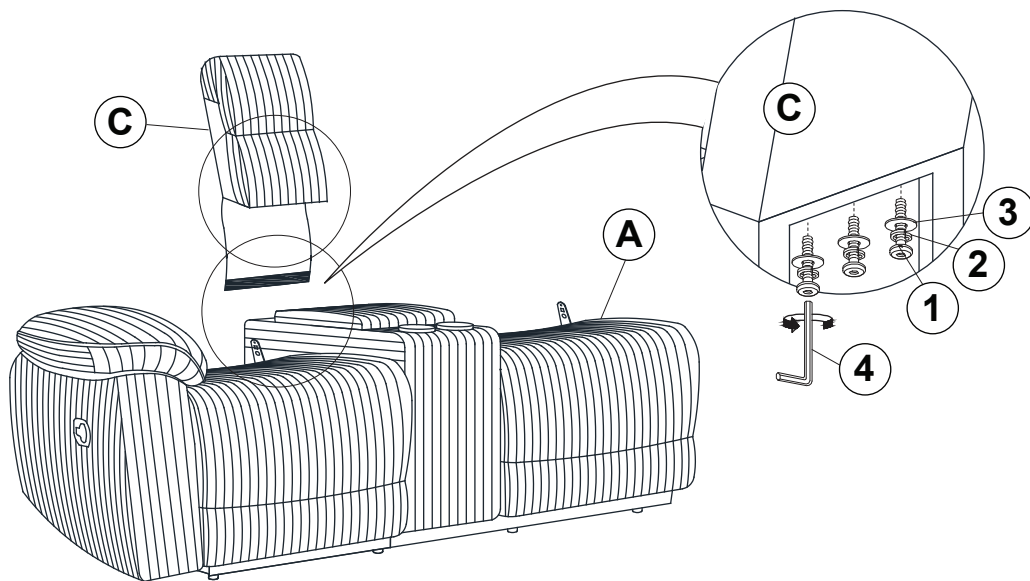
ITEM: **601520(B1-B3)**

**ASSEMBLY INSTRUCTIONS**

**STEP 1**



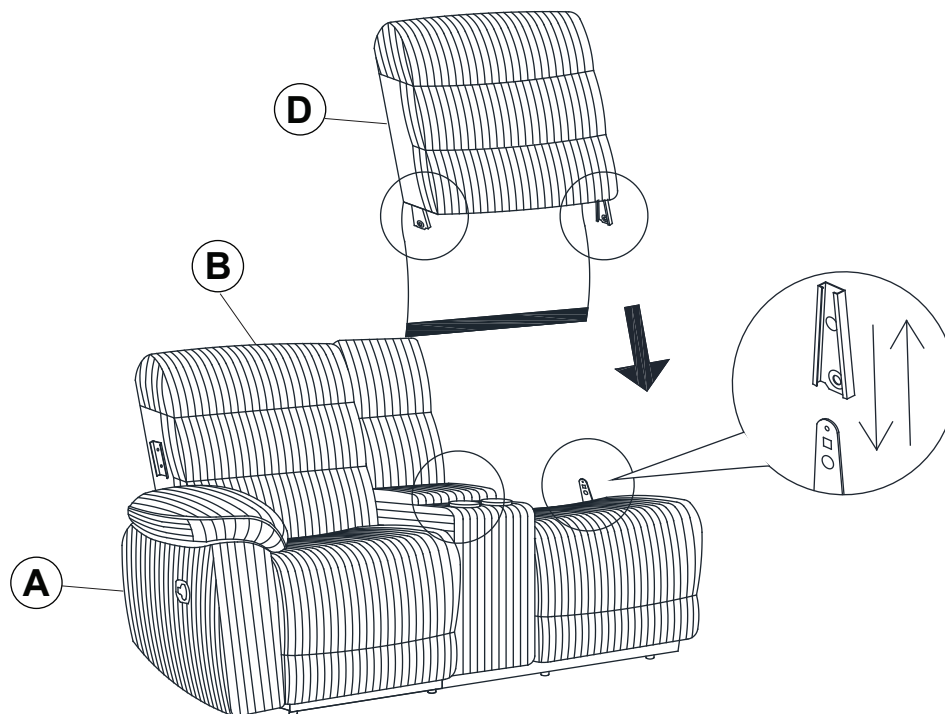
**STEP 2**



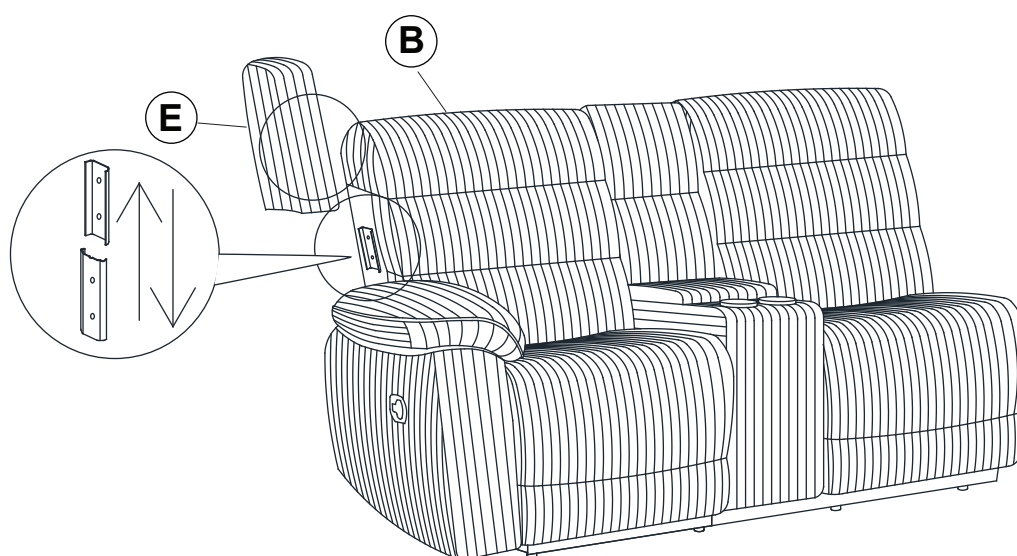
ITEM: **601520(B1-B3)**

**ASSEMBLY INSTRUCTIONS**

**STEP 3**



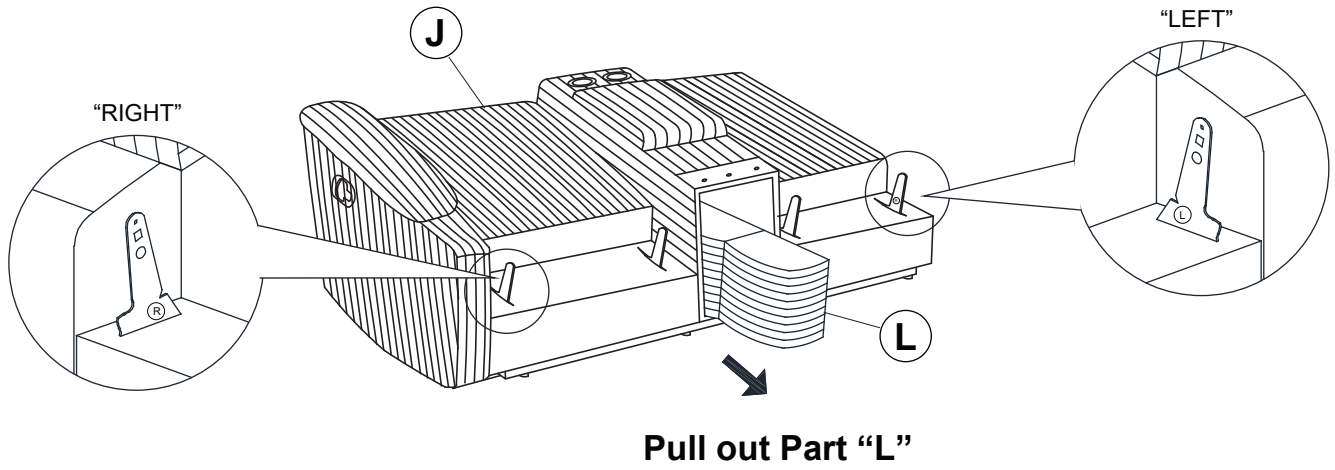
**STEP 4**



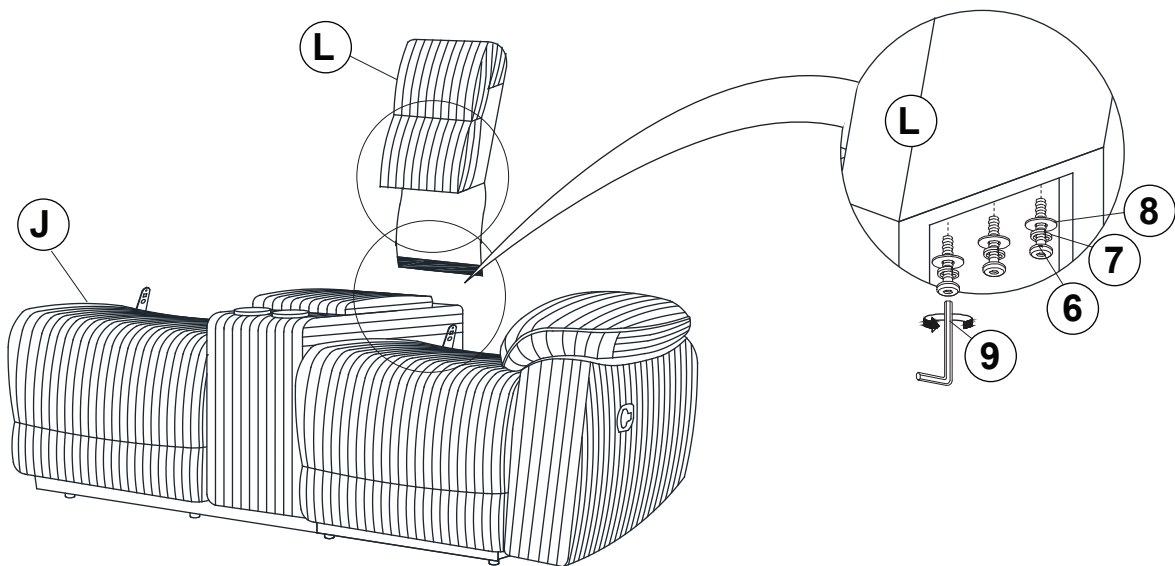
ITEM: **601520(B1-B3)**

**ASSEMBLY INSTRUCTIONS**

**STEP 5**



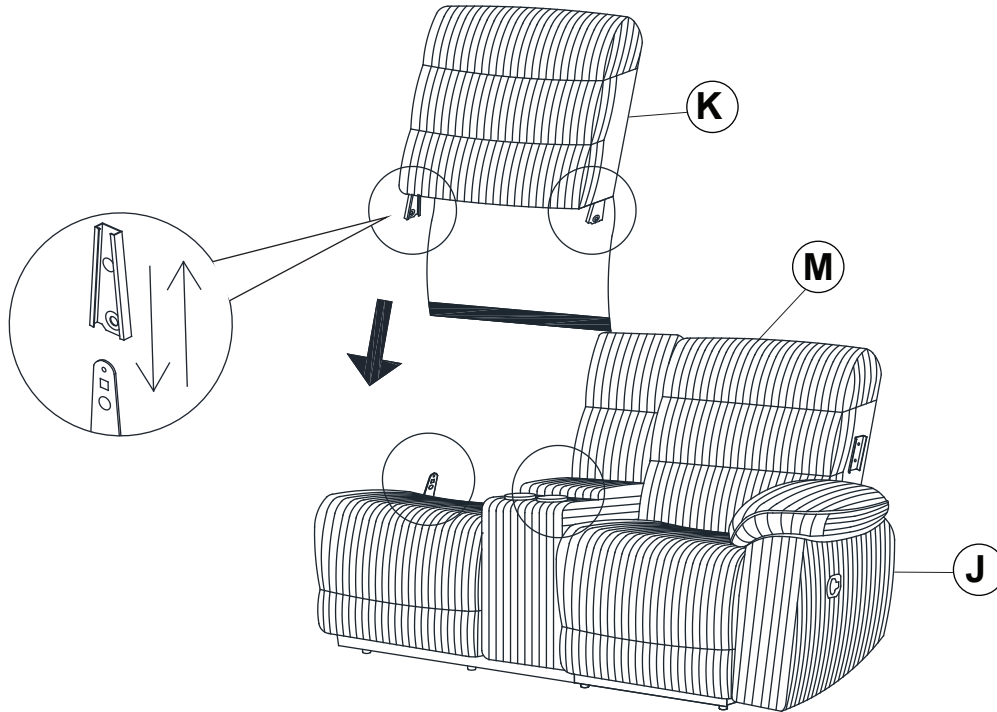
**STEP 6**



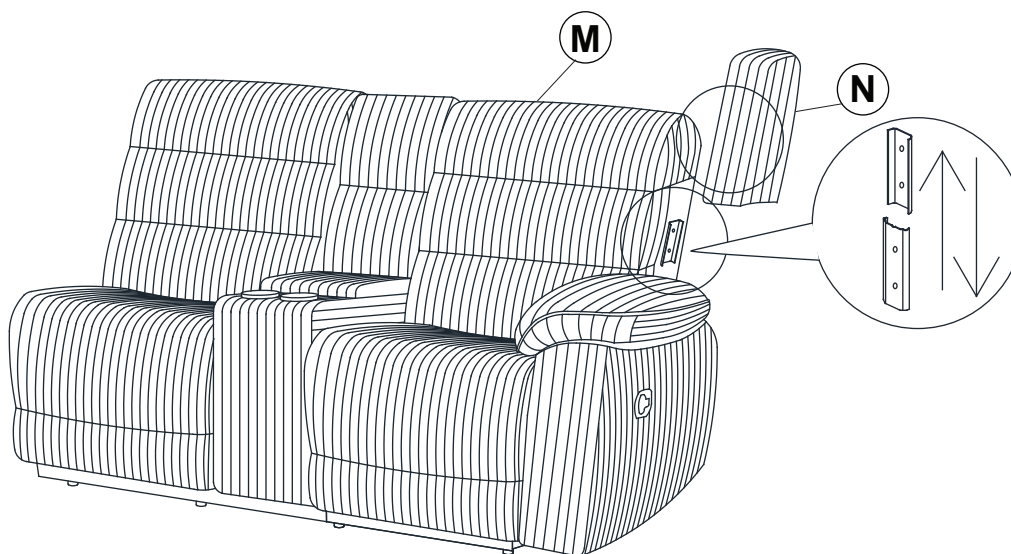
ITEM: **601520(B1-B3)**

**ASSEMBLY INSTRUCTIONS**

**STEP 7**



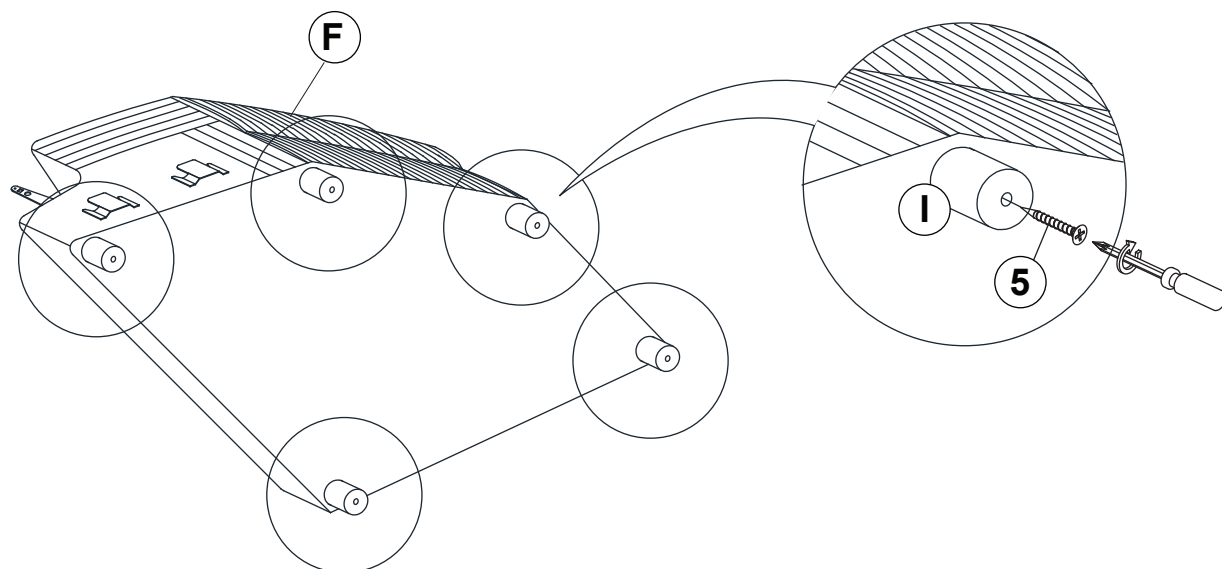
**STEP 8**



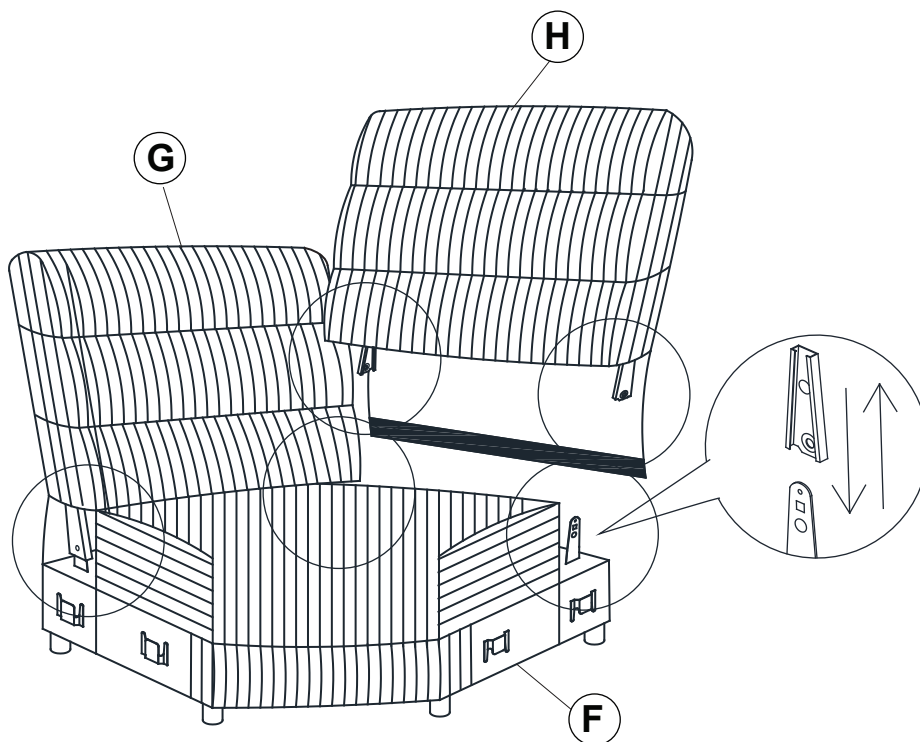
ITEM: **601520(B1-B3)**

**ASSEMBLY INSTRUCTIONS**

**STEP 9**



**STEP 10**

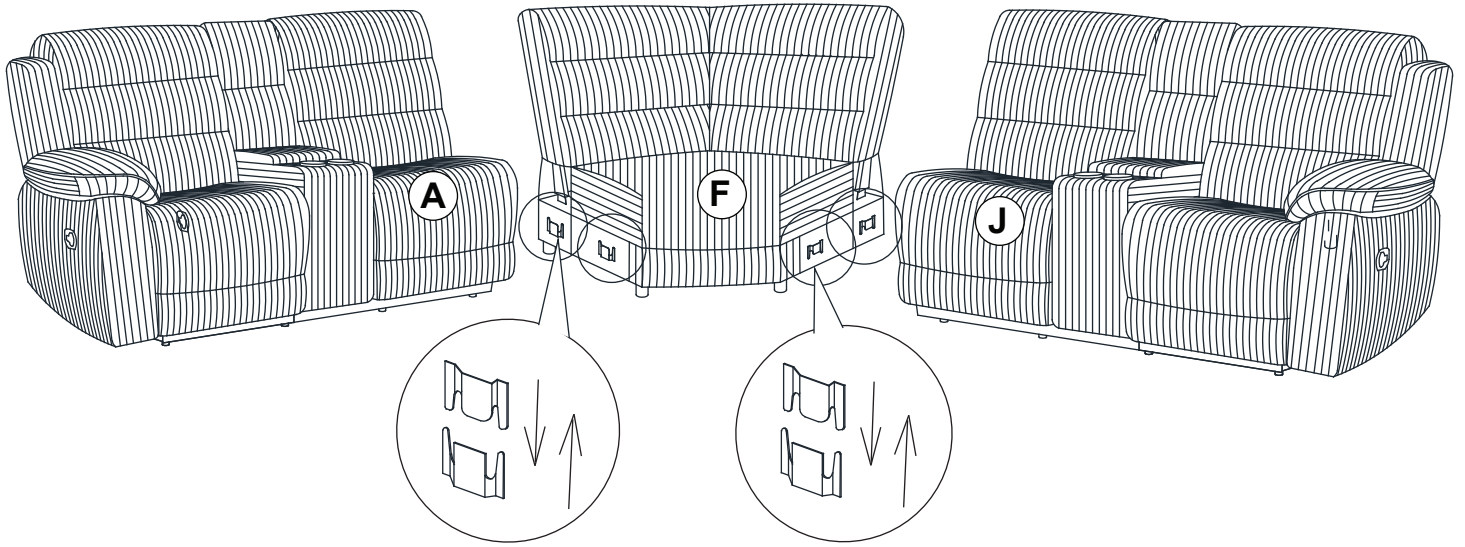




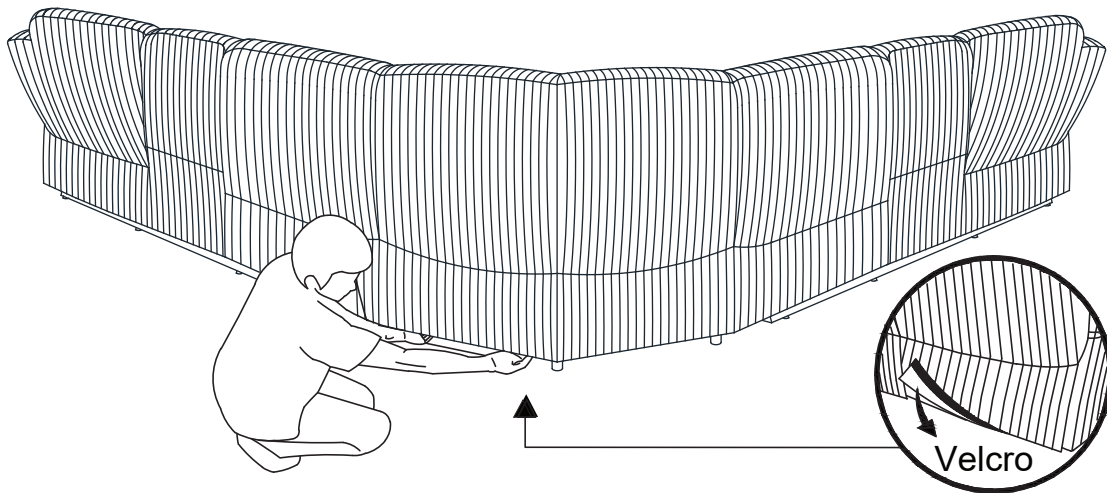
ITEM: **601520(B1-B3)**

**ASSEMBLY INSTRUCTIONS**

**STEP 11**

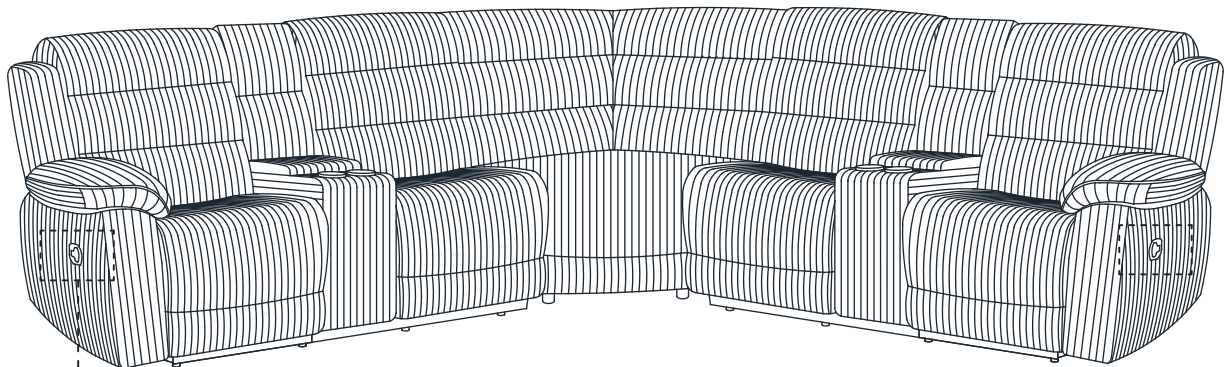


**STEP 12**

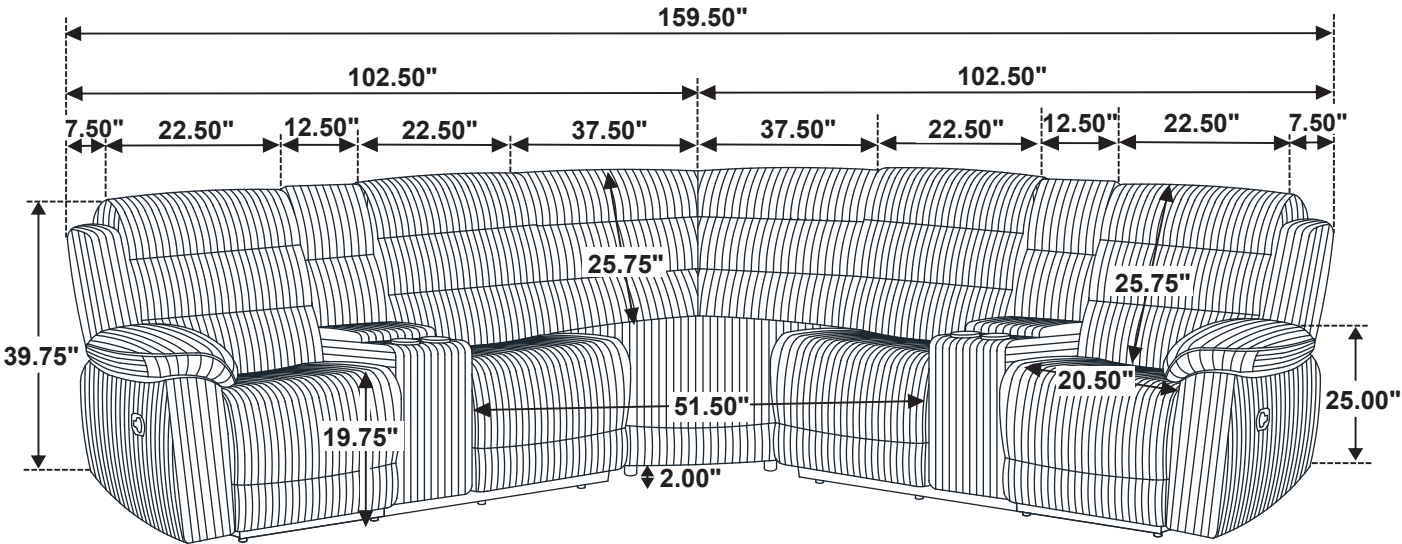


**STEP 13**

**COMPLETE**



ITEM: **601520(B1-B3)**



Note : Dimension tolerance  $\pm 5\%$