

**ASSEMBLY INSTRUCTIONS**  
**COASTER FINE FURNITURE**



*Fine Furniture for every stage of life*

**223341Q (B1&B2)**  
***Queen Bed***

# ITEM: 223341Q (B1&B2)



## ASSEMBLY INSTRUCTIONS

### ASSEMBLY TIPS:

1. Remove hardware from box and sort by size.
2. Please check to see that all hardware and parts are present prior to start of assembly.
3. Please follow attached instructions in the same sequence as numbered to assure fast & easy assembly.



### WARNING!

1. Don't attempt to repair or modify parts that are broken or defective. Please contact the store immediately.
2. This product is for home use only and not intended for commercial establishments.


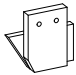

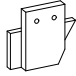






ASSEMBLY TIME

30 MINUTES

## PARTS IDENTIFICATION

### B1 (BOX 1)

A	HEADBOARD PANEL		1PC	E	LEFT FOOTBOARD LEG (WITH "L" LABEL)		1PC
B	LEFT HEADBOARD LEG (WITH "L" LABEL)		1PC	F	RIGHT FOOTBOARD LEG (WITH "R" LABEL)		1PC
C	RIGHT HEADBOARD LEG (WITH "R" LABEL)		1PC	G	BED SLAT		4PCS
D	FOOTBOARD PANEL		1PC	H	BED SLAT SUPPORT WITH LEVELER		4PCS

### B2 (BOX 2)

I	BED RAIL		2PCS
---	----------	---	------

# ITEM: 223341Q (B1&B2)



## ASSEMBLY INSTRUCTIONS

### ASSEMBLY TIPS:

1. Remove hardware from box and sort by size.
2. Please check to see that all hardware and parts are present prior to start of assembly.
3. Please follow attached instructions in the same sequence as numbered to assure fast & easy assembly.

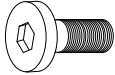

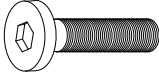





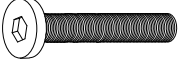



### WARNING!

1. Don't attempt to repair or modify parts that are broken or defective. Please contact the store immediately.
2. This product is for home use only and not intended for commercial establishments.

## HARDWARE IDENTIFICATION

### Z-B1 (BOX 1) - HARDWARE IS LOCATED IN 223341Q (B1)

1	<b>BOLT 1</b> (M8 x 16MM - RBW)		8PCS	6	<b>SMALL LOCK WASHER</b> (1/4" x 13Ø - RBW)		4PCS
2	<b>BOLT 2</b> (M8 x 35MM - RBW)		6PCS	7	<b>SMALL FLAT WASHER</b> (1/4" x 19Ø - RBW)		4PCS
3	<b>BIG LOCK WASHER</b> (5/16" x 14Ø - RBW)		6PCS	8	<b>FLAT HEAD SCREW</b> (M4 x 32MM - RBW)		8PCS
4	<b>BIG FLAT WASHER</b> (5/16" x 22Ø - RBW)		6PCS	9	<b>BIG ALLEN WRENCH</b> (M5 x 68MM - BLK)		1PC
5	<b>BOLT 3</b> (M6 x 35MM - RBW)		4PCS	10	<b>SMALL ALLEN WRENCH</b> (M4 x 60MM - BLK)		1PC

### NOTE:

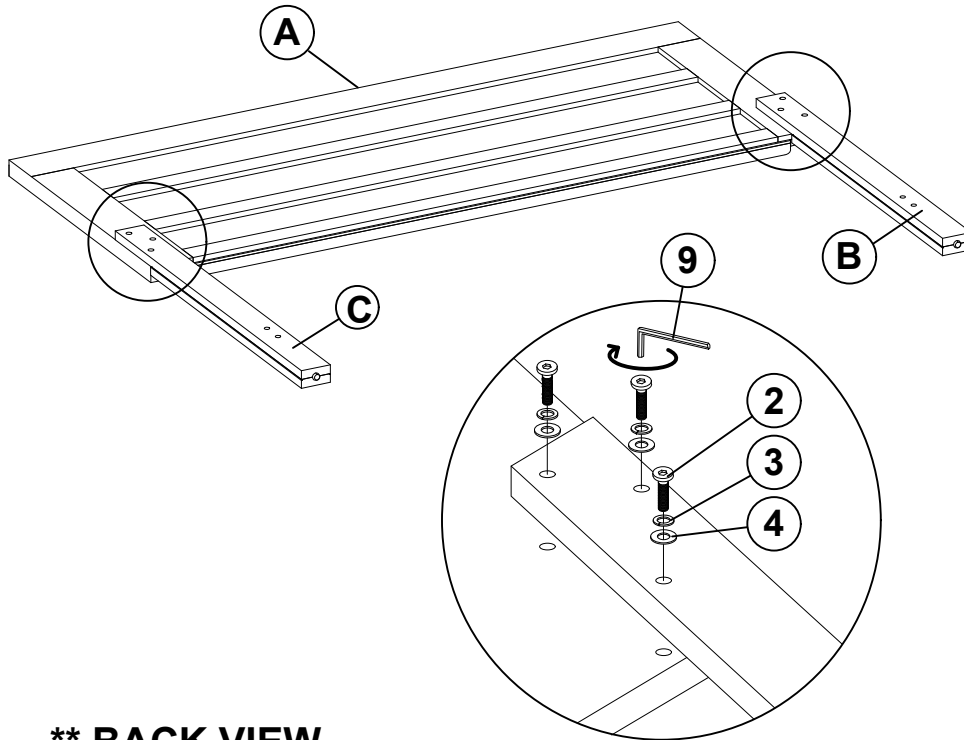
Phillips head screw driver is required in the assembly process; however, manufacturer does not provided this item.

# ITEM: 223341Q (B1&B2)

## ASSEMBLY INSTRUCTIONS

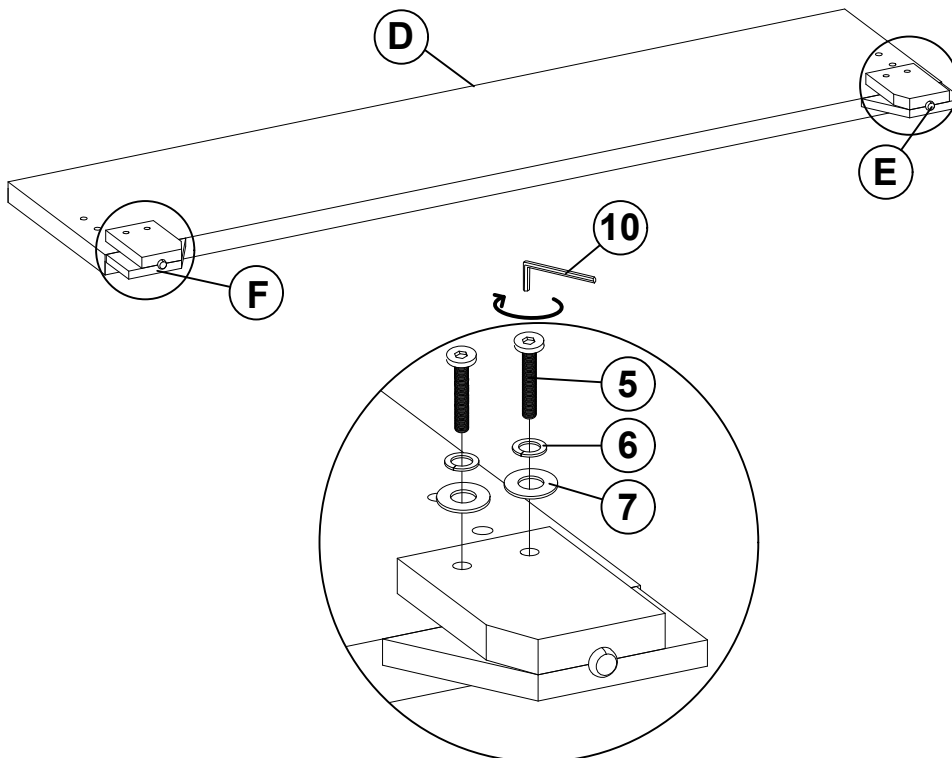


### STEP 1



**\*\* BACK VIEW**

### STEP 2



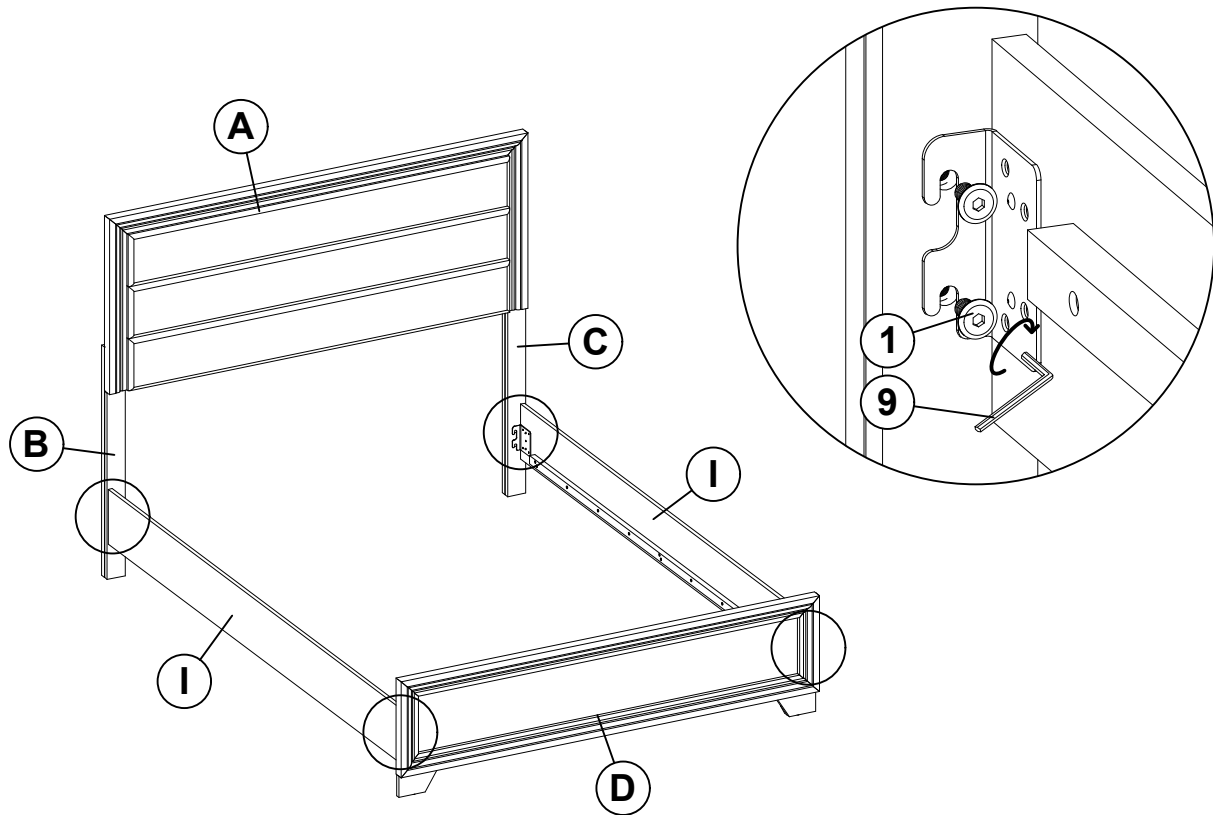
**\*\* BACK VIEW**

# ITEM: 223341Q (B1&B2)

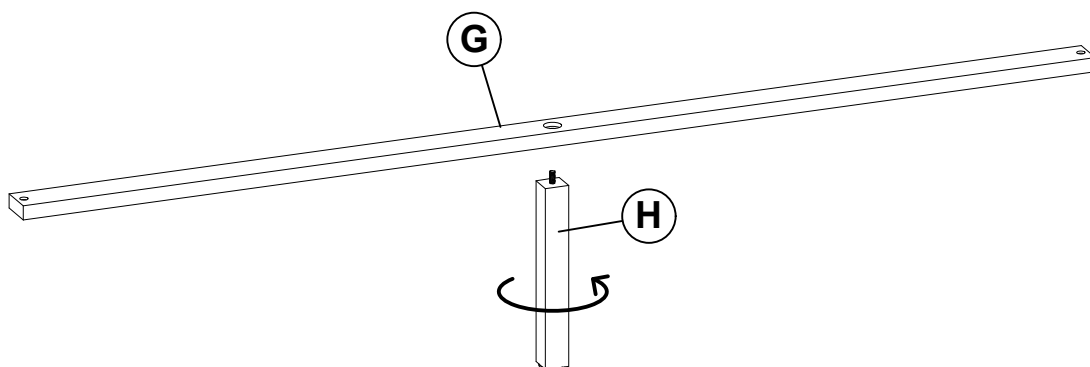
## ASSEMBLY INSTRUCTIONS



### STEP 3



### STEP 4

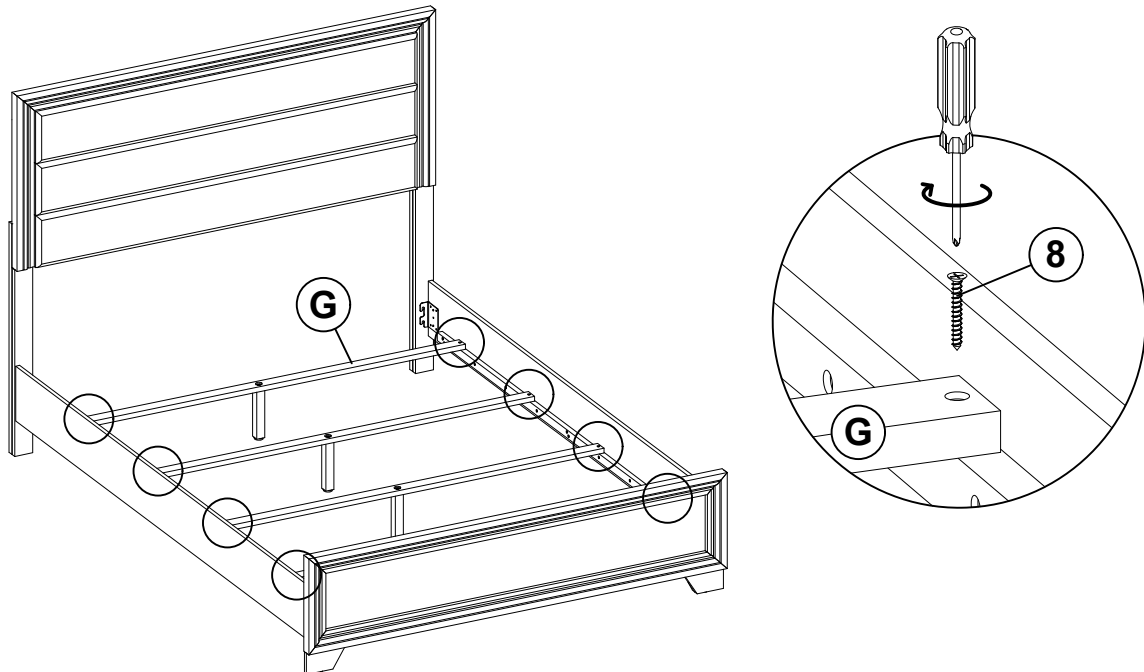


ITEM: **223341Q (B1&B2)**

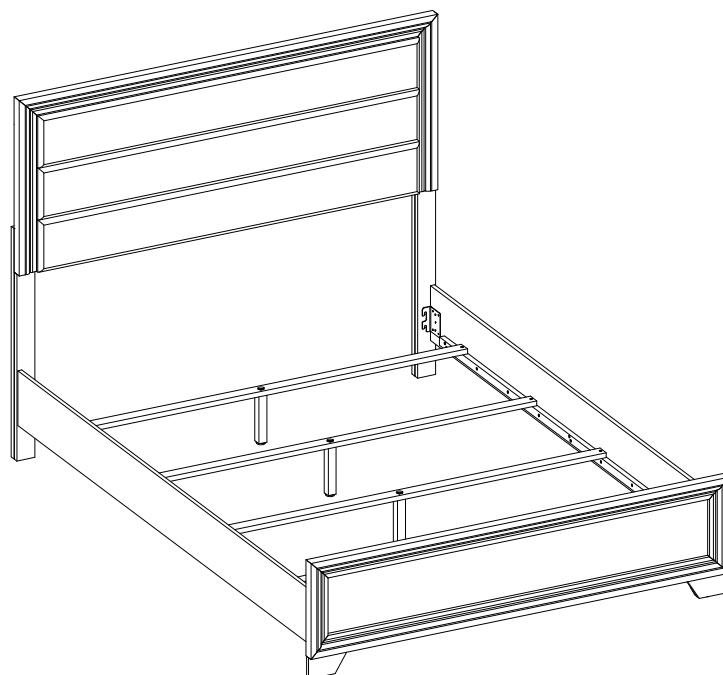
**ASSEMBLY INSTRUCTIONS**



**STEP 5**



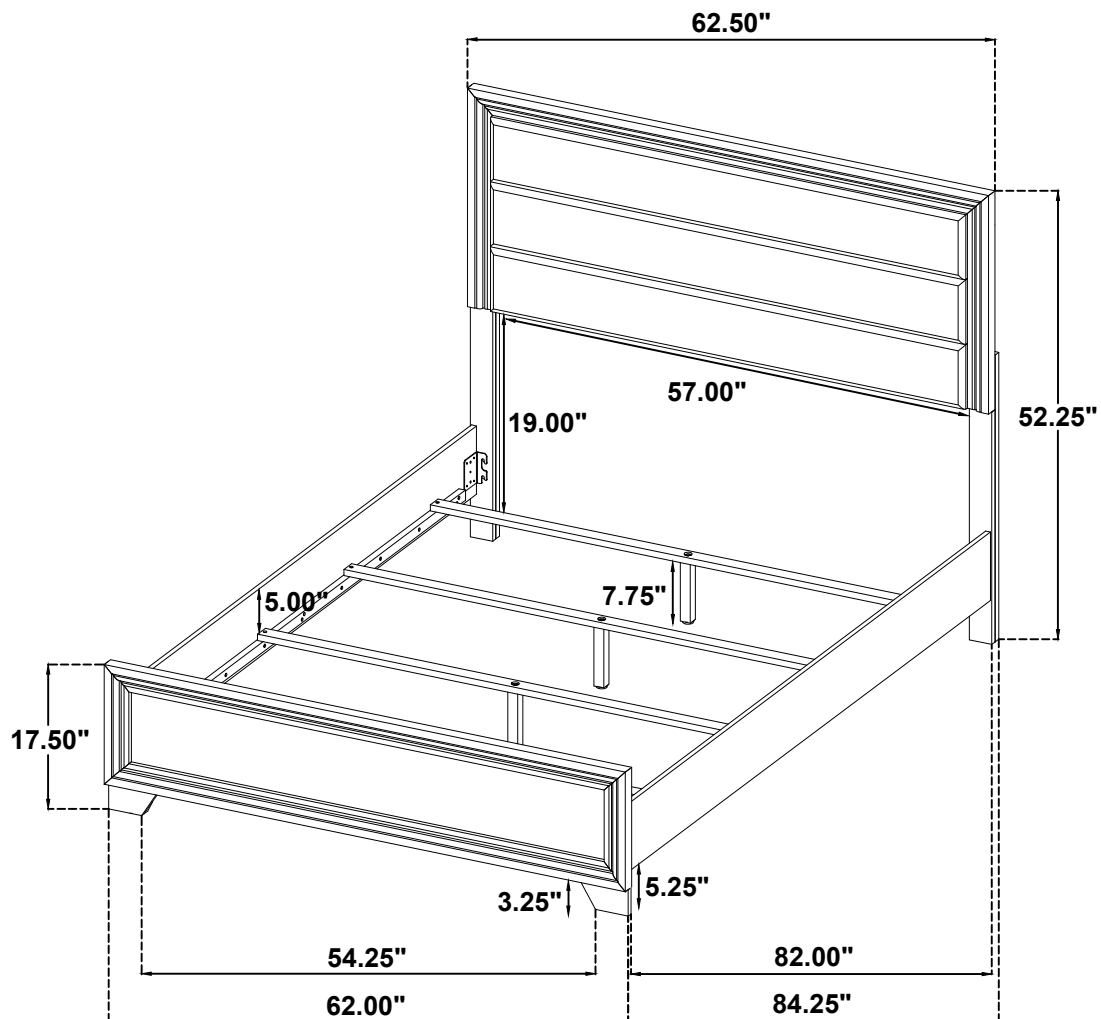
**STEP 6**  
**COMPLETE**



ITEM: **223341Q (B1&B2)**



Inner Size : 60.75"W X 81.00"D



Note : Dimension tolerance  $\pm 5\%$