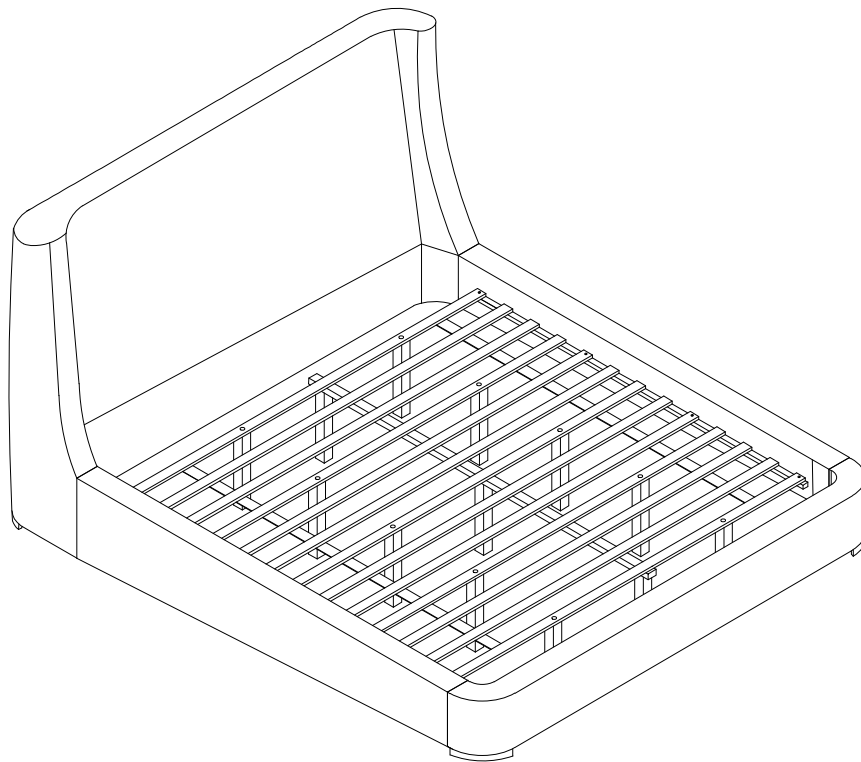


**ASSEMBLY INSTRUCTIONS**  
**COASTER FINE FURNITURE**



*Fine Furniture for every stage of life*

**315928KE(B1&B2)**  
**Eastern King Bed**

# ITEM: 315928KE(B1&B2)



## ASSEMBLY INSTRUCTIONS

### ASSEMBLY TIPS:

1. Remove hardware from box and sort by size.
2. Please check to see that all hardware and parts are present prior to start of assembly.
3. Please follow attached instructions in the same sequence as numbered to assure fast & easy assembly.



### WARNING!

1. Don't attempt to repair or modify parts that are broken or defective. Please contact the store immediately.
2. This product is for home use only and not intended for commercial establishments.

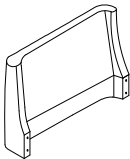



ASSEMBLY TIME


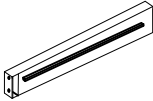
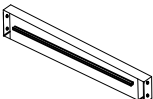

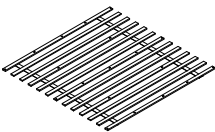
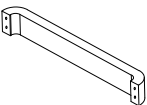
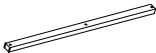

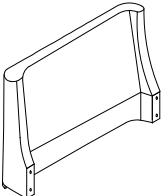
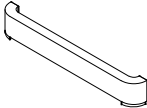
30 MINUTES

## PARTS IDENTIFICATION

### B1 (BOX 1)

A	HEADBOARD PANEL		1PC	B	HEADBOARD AND FOOTBOARD LEG		2PCS
---	-----------------	---	-----	---	-----------------------------	---	------

### B2 (BOX 2)

B	HEADBOARD AND FOOTBOARD LEG		2PCS	C	LEFT BED RAIL		1PC
D	RIGHT BED RAIL		1PC	E	CENTER RAIL SUPPORT WITH LEVELER		3PCS
F	ROLL SLATS (13PCS)		1SET	G	FOOTBOARD PANEL		1PC
H	CENTER RAIL		1PC	I	BED SLAT SUPPORT WITH LEVELER		10PCS
HB	315928KE (B1) FROM BOX 1 HEADBOARD COMPLETE		1PC	FB	315928KE (B2) FROM BOX 2 FOOTBOARD COMPLETE		1PC

# ITEM: 315928KE(B1&B2)

## ASSEMBLY INSTRUCTIONS



### ASSEMBLY TIPS:

1. Remove hardware from box and sort by size.
2. Please check to see that all hardware and parts are present prior to start of assembly.
3. Please follow attached instructions in the same sequence as numbered to assure fast & easy assembly.




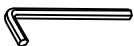


### WARNING!






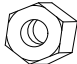


1. Don't attempt to repair or modify parts that are broken or defective. Please contact the store immediately.
2. This product is for home use only and not intended for commercial establishments.

## HARDWARE IDENTIFICATION

### Z-B1 (BOX 1) - HARDWARE PACK IS LOCATED IN 315928KE(B1)

1	<b>BOLT</b> (Ø5/16" x 60mm - RBW)		4PCS	2	<b>FLAT WASHER</b> (Ø5/16" x 22mm - RBW)		4PCS
3	<b>LOCK WASHER</b> (Ø5/16" - RBW)		4PCS	4	<b>ALLEN WRENCH</b> (5mm - RBW)		1PC

### Z-B2 (BOX 2) - HARDWARE PACK IS LOCATED IN 315928KE(B2)

5	<b>BOLT</b> (Ø5/16" x 60mm - RBW)		4PCS	6	<b>LOCK WASHER</b> (Ø5/16" - RBW)		12PCS
7	<b>FLAT WASHER</b> (Ø5/16" x 22mm - RBW)		12PCS	8	<b>ALLEN WRENCH</b> (5mm - RBW)		1PC
9	<b>THREADED BOLT</b> (Ø5/16" x 90mm - RBW)		8PCS	10	<b>HEX NUT</b> (Ø5/16" - RBW)		8PCS
11	<b>FLAT HEAD SCREW</b> (M4 x 35mm - RBW)		8PCS	12	<b>WRENCH</b> (12mm - RBW)		1PC

### NOTE:

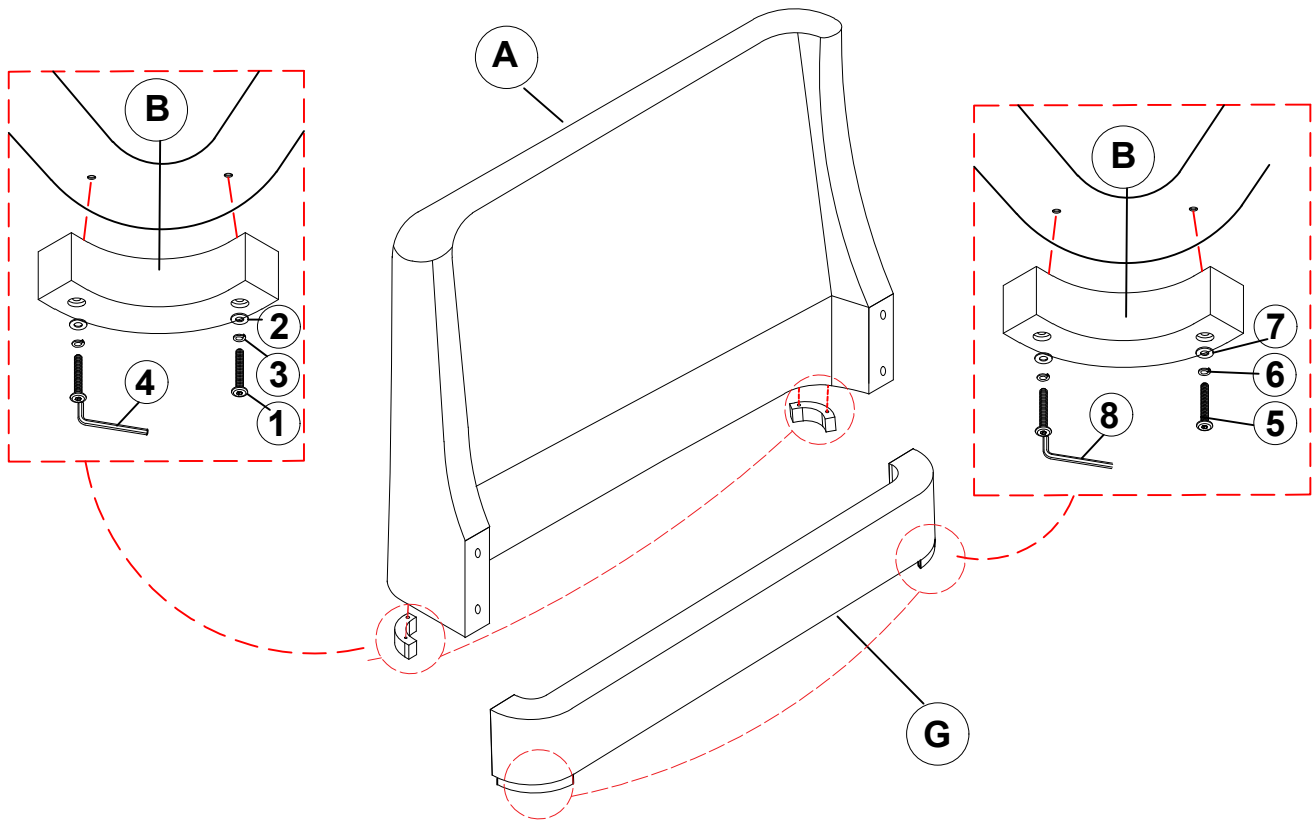
Phillips head screw driver is required in the assembly process; however, manufacturer does not provide this item.

# ITEM: 315928KE(B1&B2)

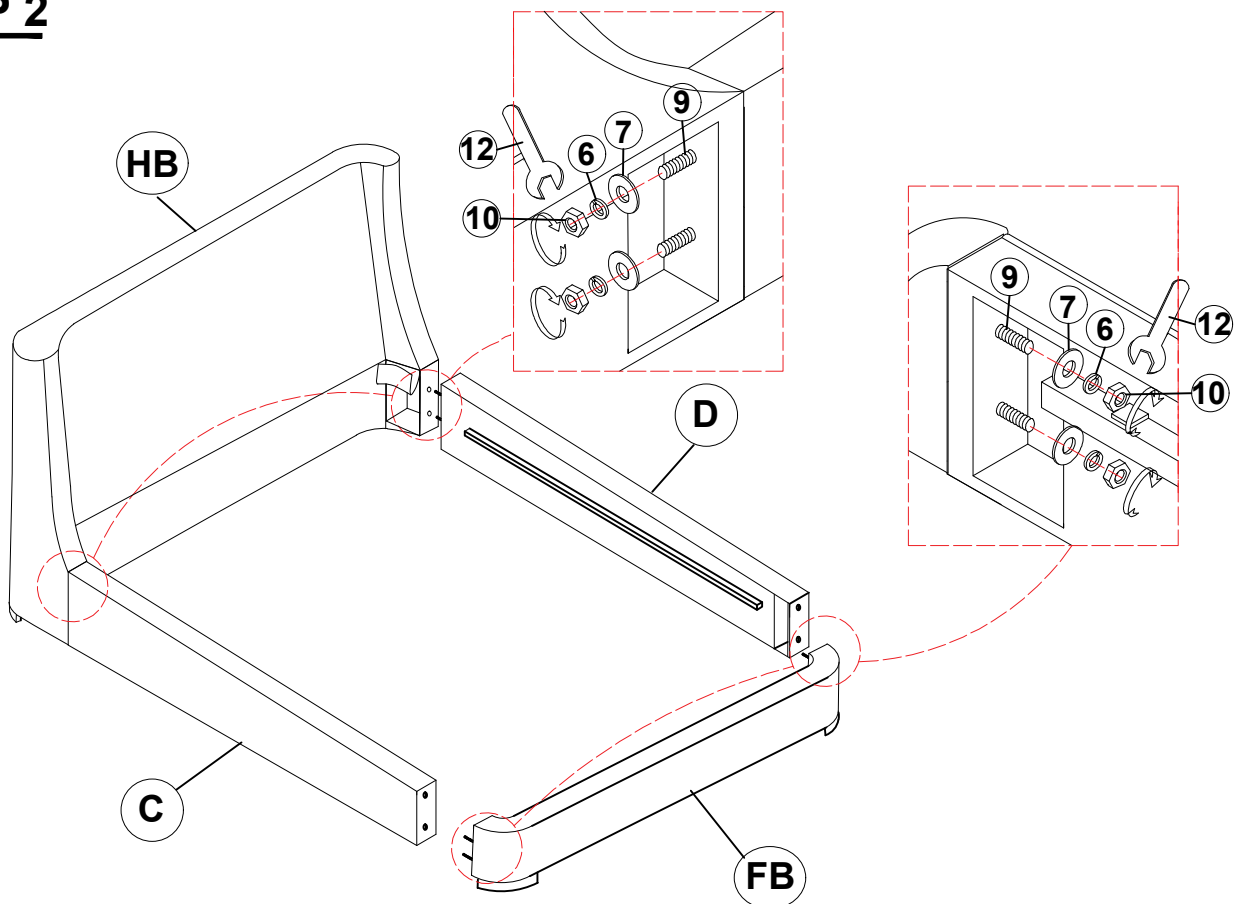
## ASSEMBLY INSTRUCTIONS



### STEP 1



### STEP 2

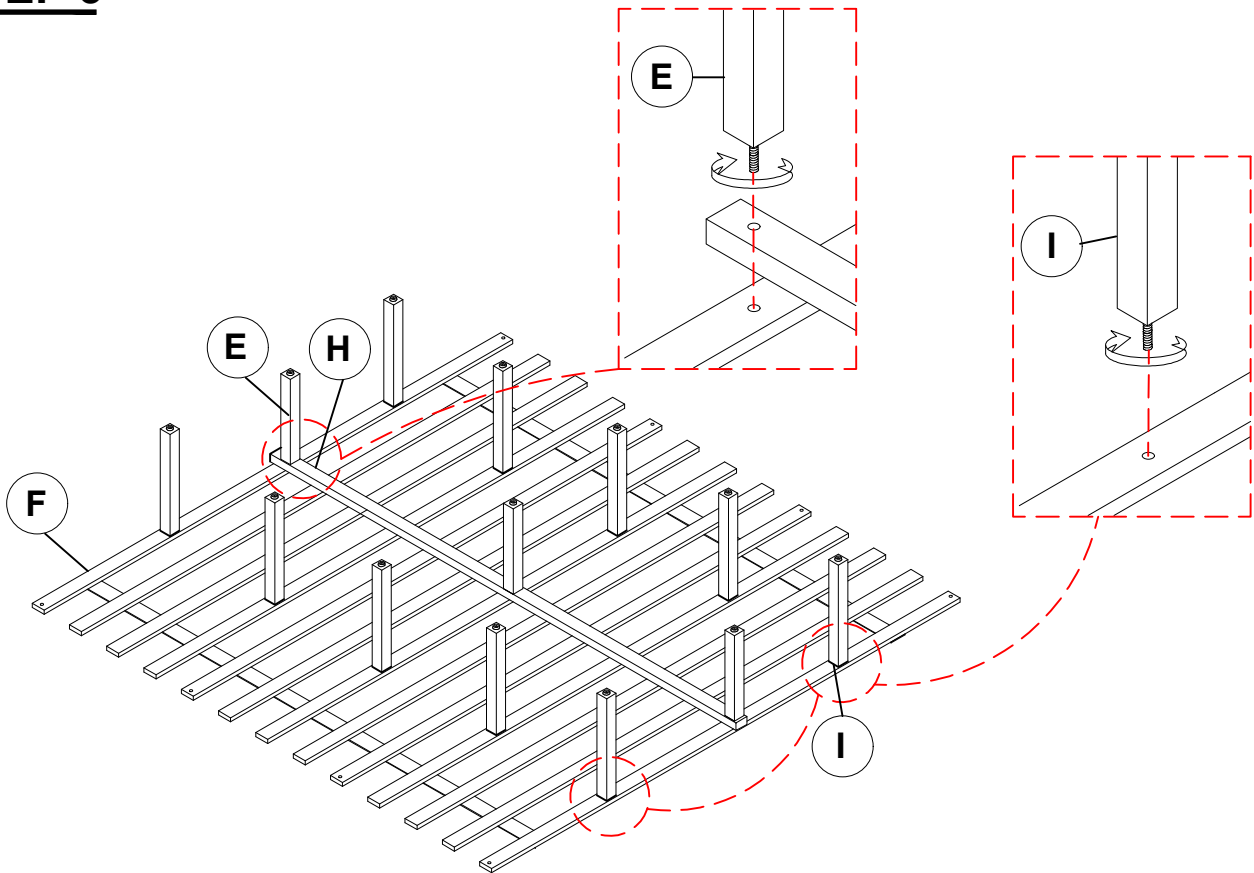


# ITEM: 315928KE(B1&B2)

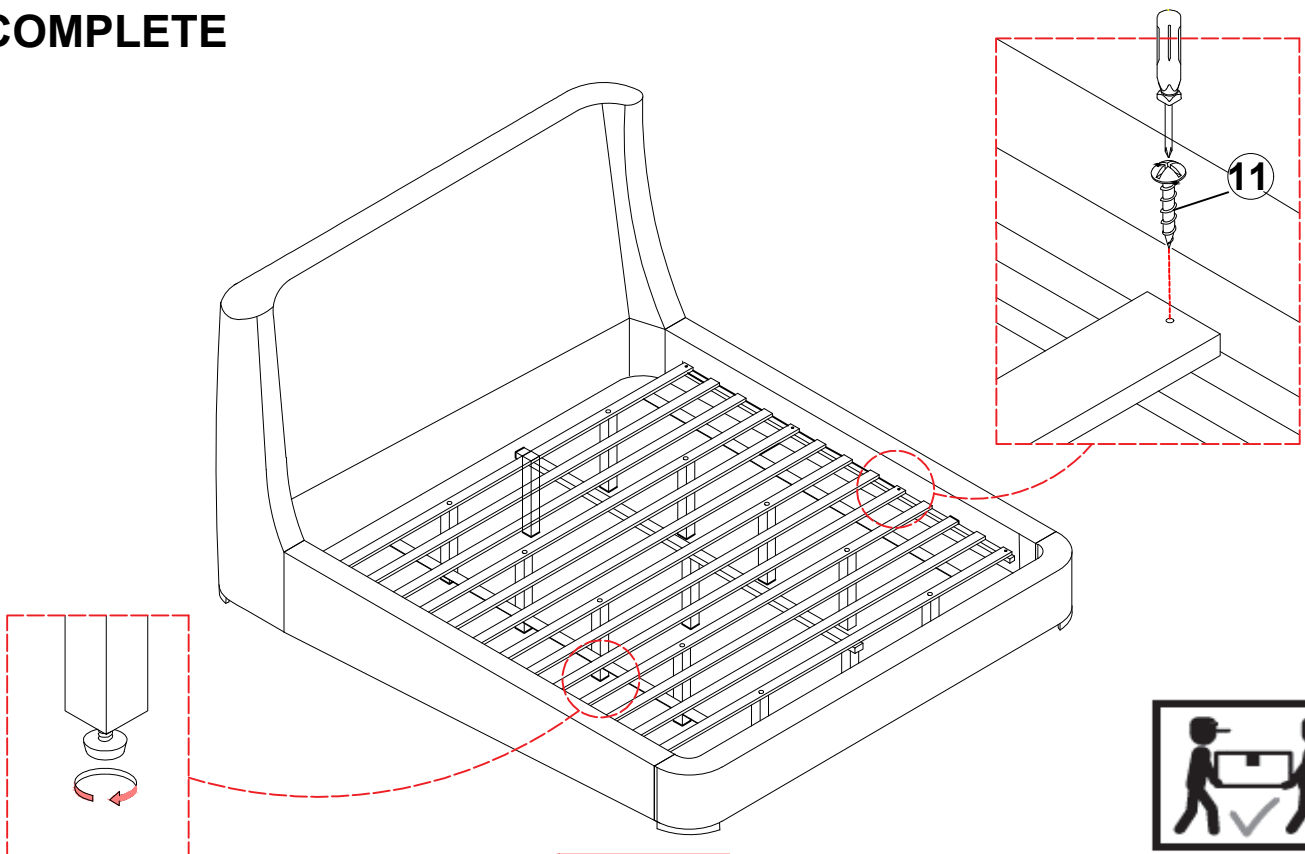
## ASSEMBLY INSTRUCTIONS



### STEP 3



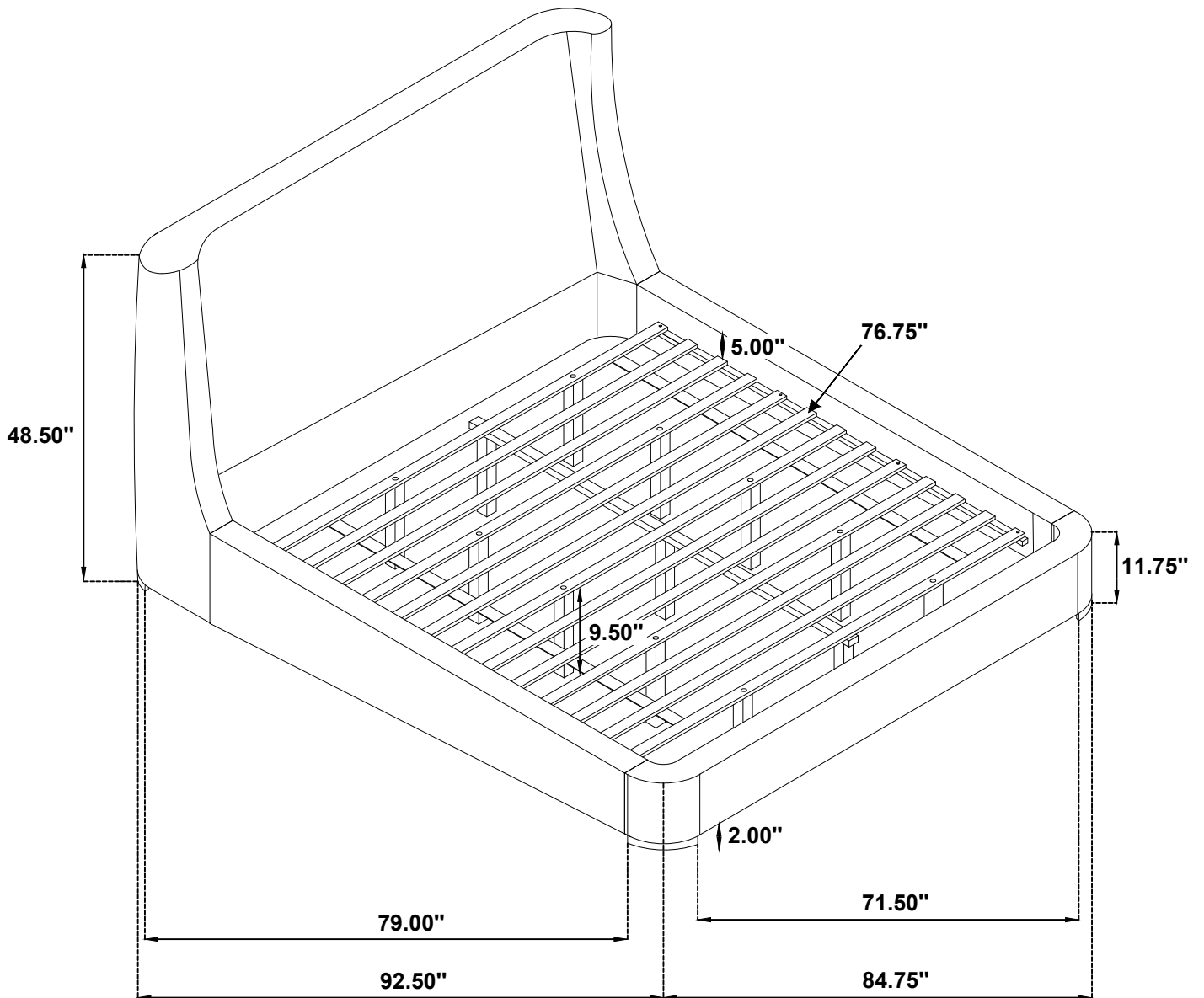
### STEP 4 COMPLETE



ITEM: **315928KE(B1&B2)**



Inner size: 77.00"W x 81.25"D



Note: Dimension tolerance  $\pm 5\%$