



# ASSEMBLY INSTRUCTIONS COASTER FINE FURNITURE



*Fine Furniture for every stage of life*

**121184**  
**Counter Chair**

REVISION 0 : 12/18/2023  
REVISION 1 : 10/25/2024  
REVISION 2 : 09/16/2025

ITEM: 121184



## ASSEMBLY INSTRUCTIONS

### ASSEMBLY TIPS:

1. Remove hardware from box and sort by size.
2. Please check to see that all hardware and parts are present prior to start of assembly.
3. Please follow attached instructions in the same sequence as numbered to assure fast & easy assembly.



### WARNING!

1. Don't attempt to repair or modify parts that are broken or defective. Please contact the store immediately.
2. This product is for home use only and not intended for commercial establishments.



ASSEMBLY TIME

15 MINUTES

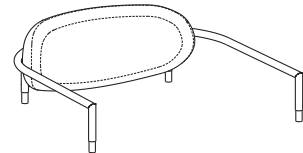
## PARTS IDENTIFICATION

AV SEAT CUSHION



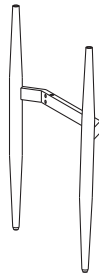
1PC

EV BACKREST



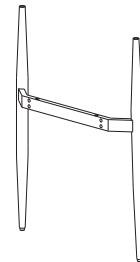
1PC

BV LEFT LEG FRAME WITH LABEL "BV"



1PC

FV RIGHT LEG FRAME WITH LABEL "FV"



1PC

CV BACK UPPER RAIL WITH LABEL "CV"



1PC

GV FRONT UPPER RAIL WITH LABEL "GV"



1PC

DV BACK BOTTOM RAIL WITH LABEL "DV"



1PC

HV FRONT BOTTOM RAIL WITH LABEL "HV"



1PC

## HARDWARE IDENTIFICATION

1 LONG BOLT  
(1/4" x 50mm - BLK)



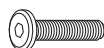
8PCS

4 LOCK WASHER  
(Ø1/4" - BLK)



4 PCS

2 SHORT BOLT  
(1/4" x 30mm - BLK)



8PCS

5 FLAT WASHER  
(Ø1/4" - BLK)



4 PCS

3 PAN HEAD SCREW  
(5/32" x 9 mm - BLK)



4PCS

6 ALLEN WRENCH  
(4mm - BLK)



1PC

### NOTE:

Quantities shown are for one chair.

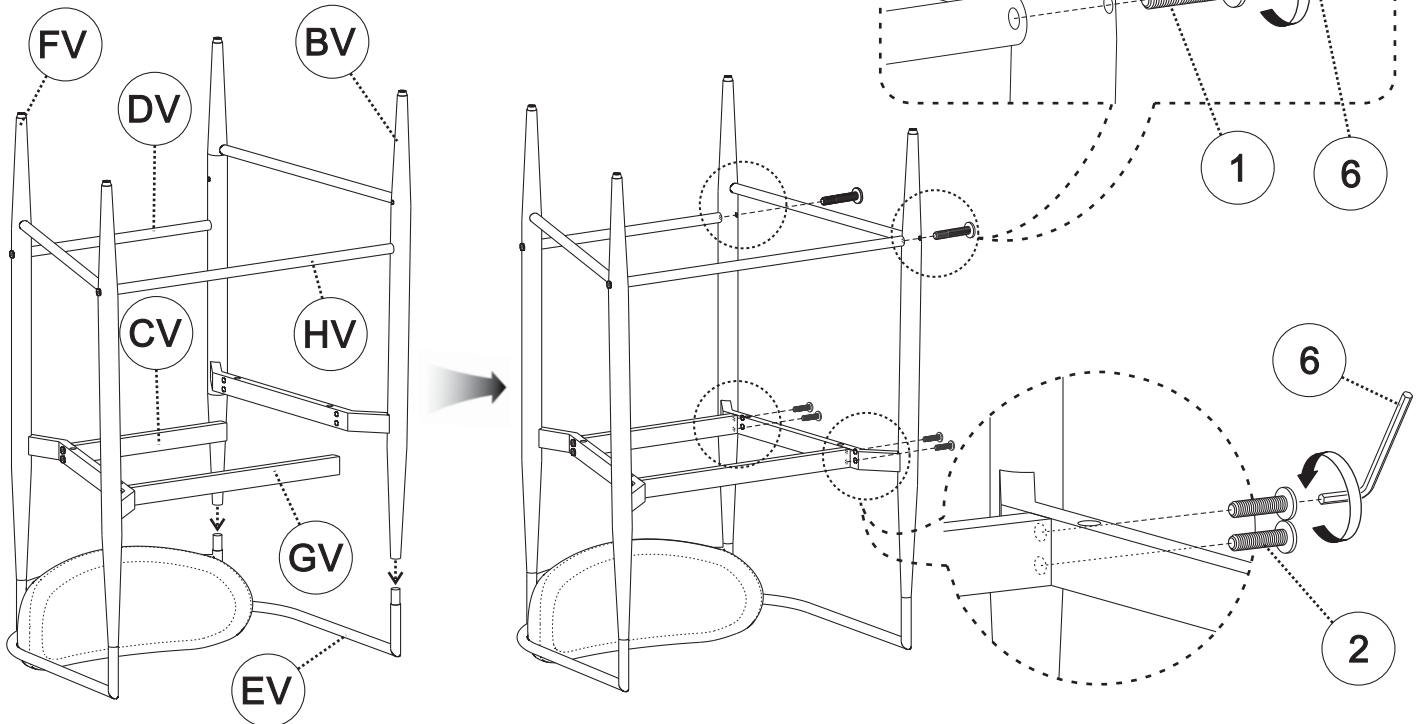
Phillips head screw driver is required in the assembly process; however, manufacturer does not provide this item.



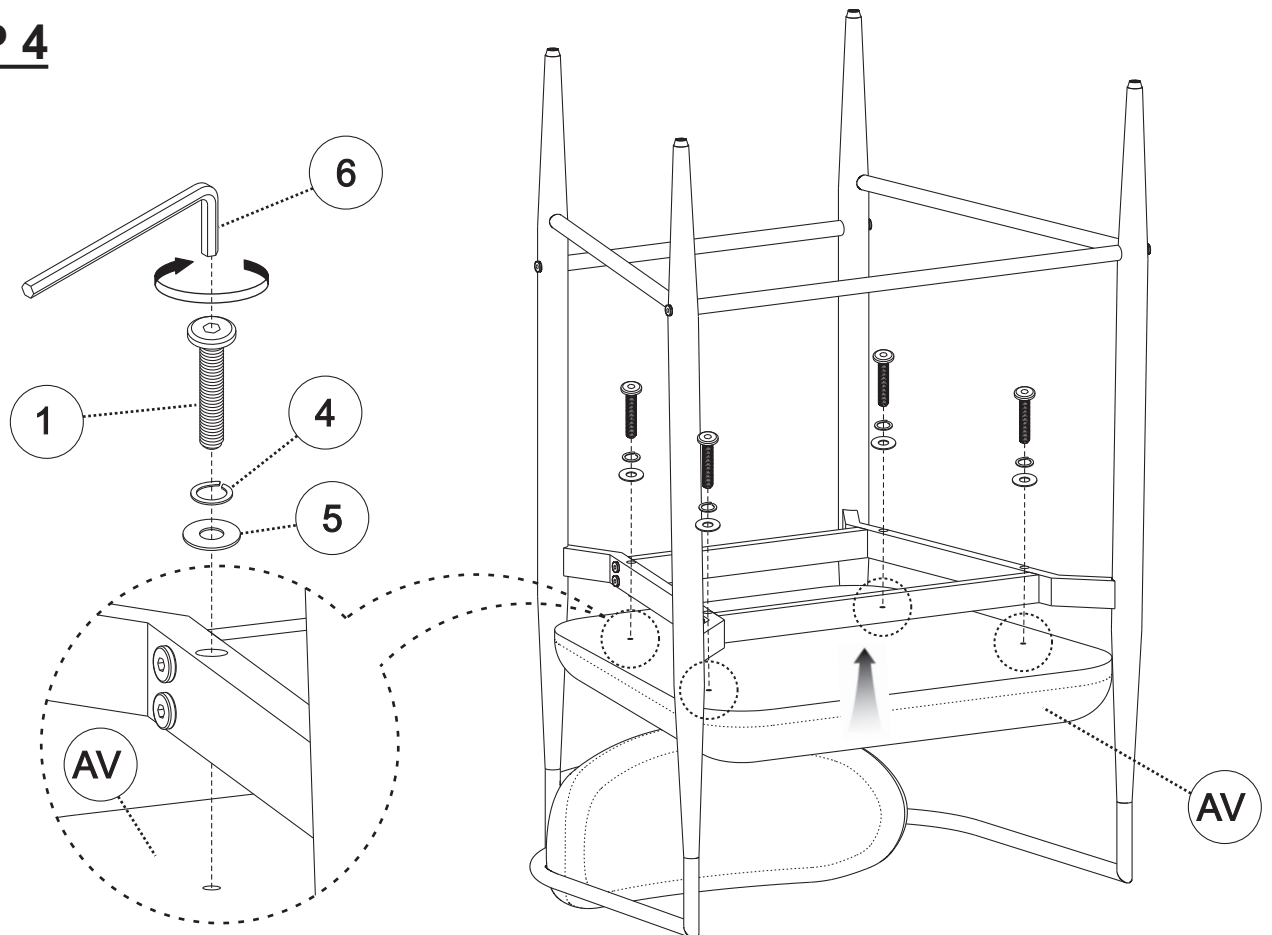
ITEM: **121184**

**ASSEMBLY INSTRUCTIONS**

**STEP 3**



**STEP 4**

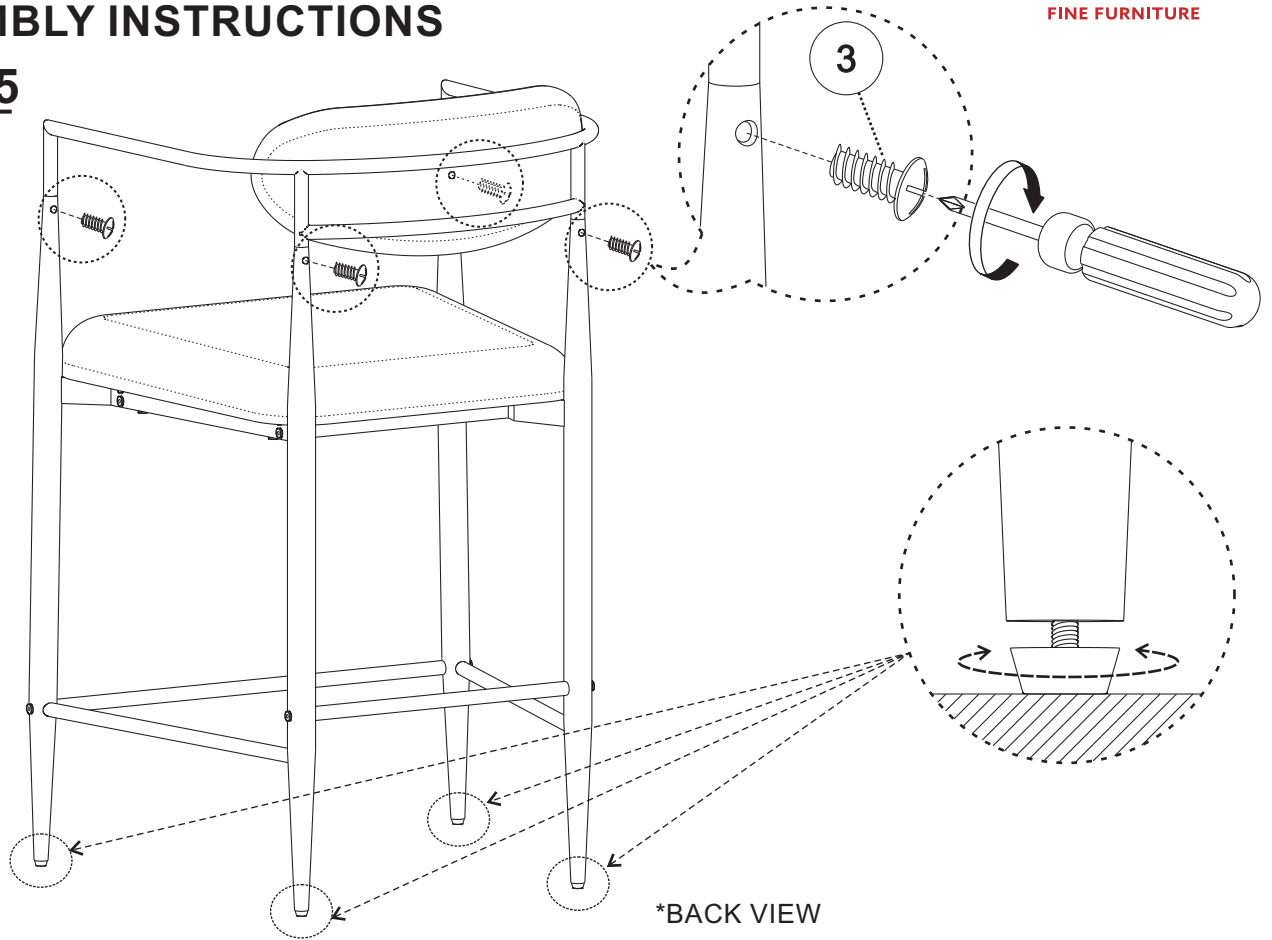


ITEM: **121184**



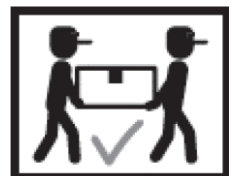
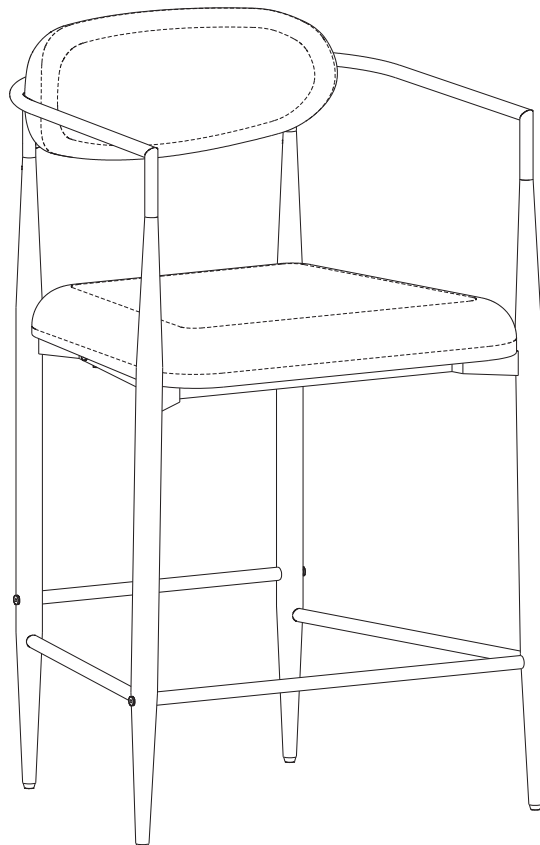
**ASSEMBLY INSTRUCTIONS**

**STEP 5**

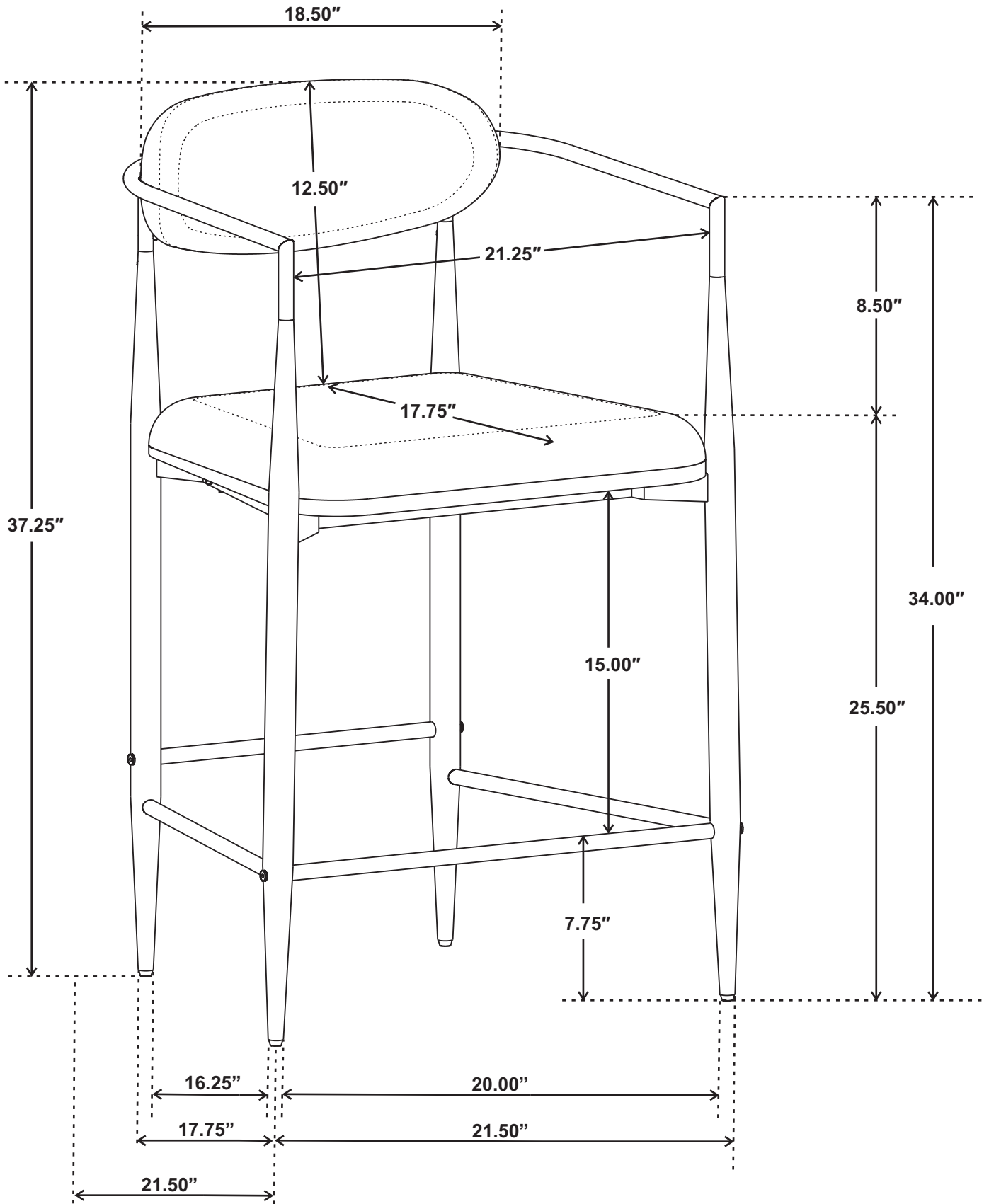


**STEP 6**

**COMPLETE**



ITEM: 121184



Note: Dimension tolerance  $\pm 5\%$