



ASSEMBLY INSTRUCTIONS COASTER FINE FURNITURE



Fine Furniture for every stage of life

121189
Bar Chair

REVISION 0 : 12/18/2023
REVISION 1 : 01/26/2024
REVISION 2 : 12/12/2025

PAGE 1 OF 5

COASTERFURNITURE.COM

ITEM: 121189



ASSEMBLY INSTRUCTIONS

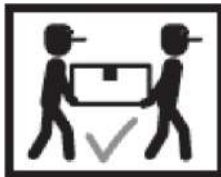
ASSEMBLY TIPS:

1. Remove hardware from box and sort by size.
2. Please check to see that all hardware and parts are present prior to start of assembly.
3. Please follow attached instructions in the same sequence as numbered to assure fast & easy assembly.



WARNING!

1. Don't attempt to repair or modify parts that are broken or defective. Please contact the store immediately.
2. This product is for home use only and not intended for commercial establishments.



ASSEMBLY TIME

15 MINUTES

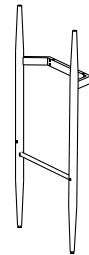
PARTS IDENTIFICATION

AV SEAT CUSHION



1PC

BV LEFT LEG FRAME WITH LABEL "BV"



1PC

CV BACK UPPER RAIL WITH LABEL "CV"



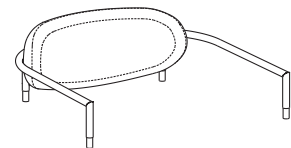
1PC

DV BACK BOTTOM RAIL WITH LABEL "DV"



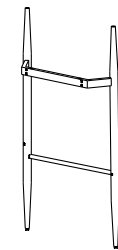
1PC

EV BACKREST



1PC

FV RIGHT LEG FRAME WITH LABEL "FV"



1PC

GV FRONT UPPER RAIL WITH LABEL "GV"



1PC

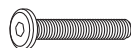
HV FRONT BOTTOM RAIL WITH LABEL "HV"



1PC

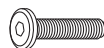
HARDWARE IDENTIFICATION

1 LONG BOLT (1/4" x 50mm - BLK)



8PCS

2 SHORT BOLT (1/4" x 30mm - BLK)



8PCS

3 PAN HEAD SCREW (5/32" x 9 mm - BLK)



4PCS

4 LOCK WASHER (Ø1/4" - BLK)



4PCS

5 FLAT WASHER (Ø1/4" - BLK)



4PCS

6 ALLEN WRENCH (4mm - BLK)



1PC

NOTE:

Quantities shown are for one chair.

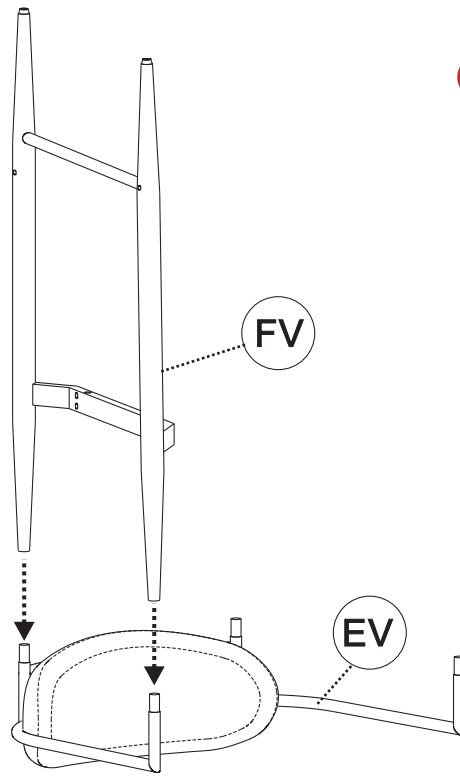
Phillips head screw driver is required in the assembly process; however, manufacturer does not provide this item.

ITEM: **121189**

ASSEMBLY INSTRUCTIONS

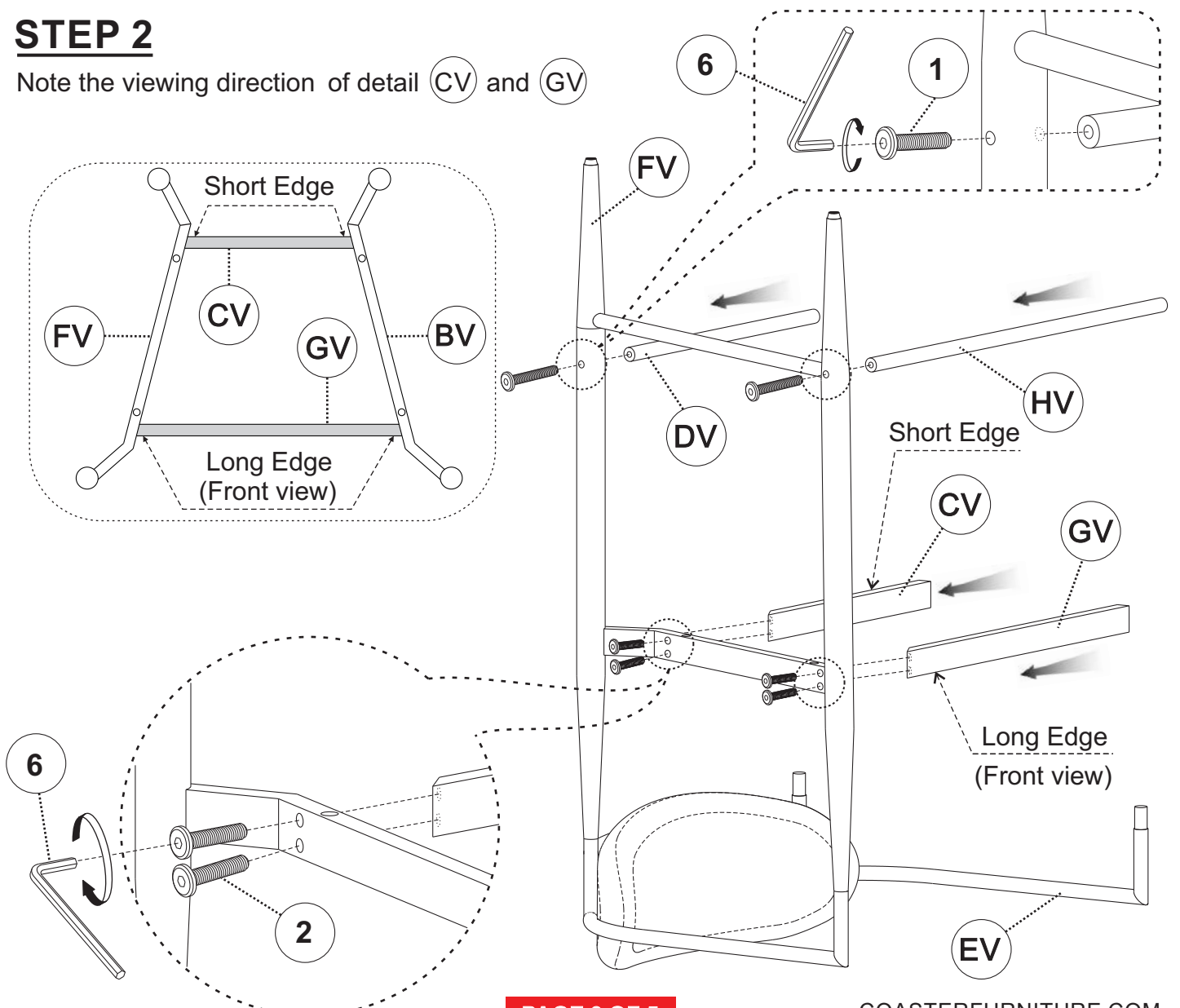
STEP 1

Do not fully tighten all bolts until assembly is complete.



STEP 2

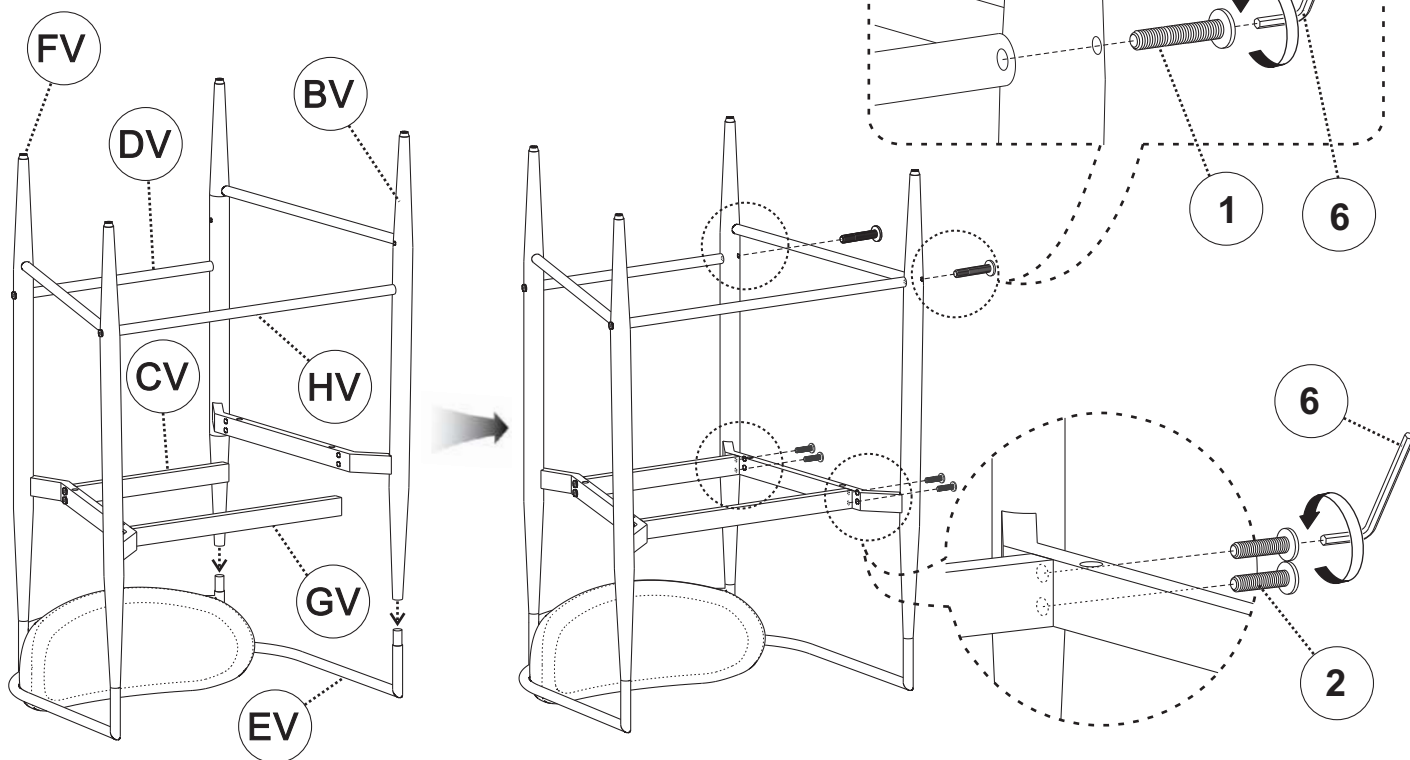
Note the viewing direction of detail **CV** and **GV**



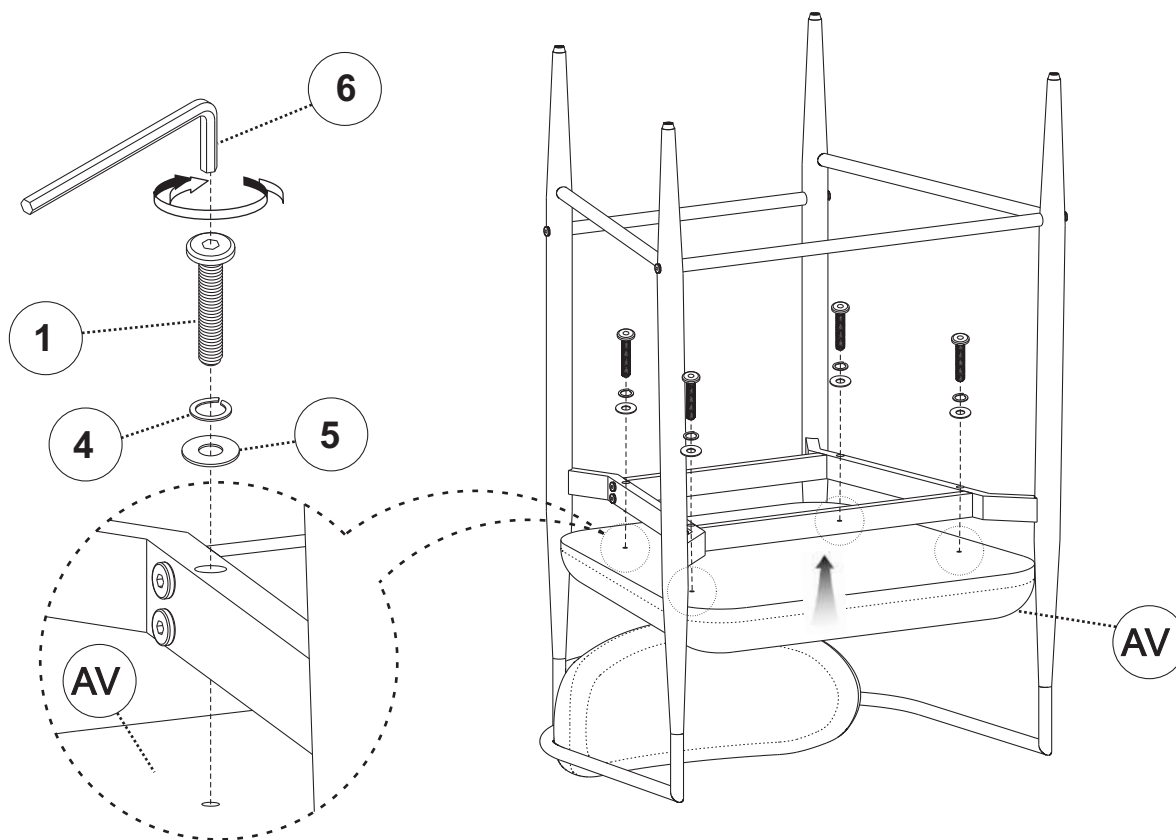
ITEM: 121189

ASSEMBLY INSTRUCTIONS

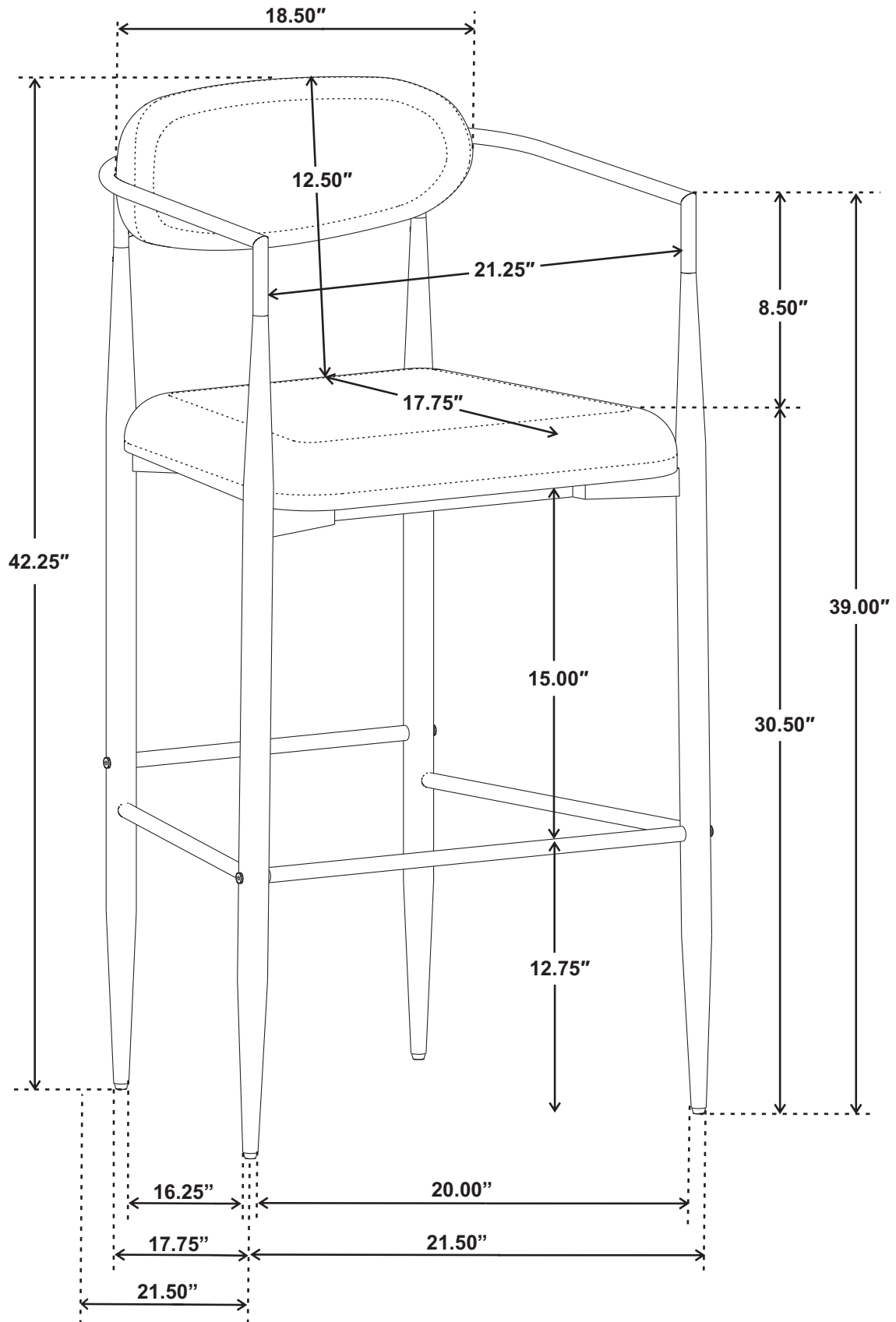
STEP 3



STEP 4



ITEM: 121189



Note: Dimension tolerance $\pm 5\%$