

ASSEMBLY INSTRUCTIONS
COASTER FINE FURNITURE



Fine Furniture for every stage of life

950425
SHOE CABINET

ITEM:950425

ASSEMBLY INSTRUCTIONS

ASSEMBLY TIPS:

1. Remove hardware from box and sort by size.
2. Please check to see that all hardware and parts are present prior to start of assembly.
3. Please follow attached instructions in the same sequence as numbered to assure fast & easy assembly.



WARNING!

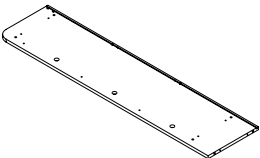
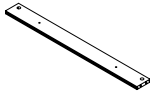
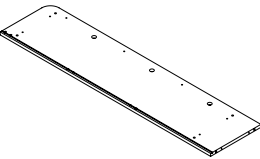
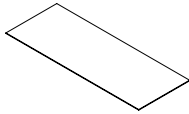
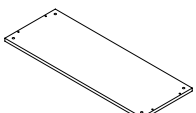

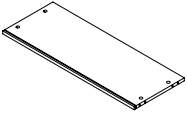
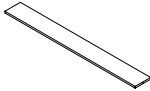
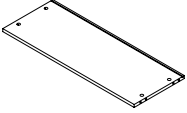

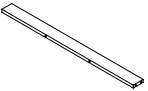
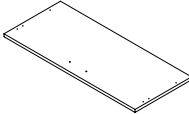
1. Don't attempt to repair or modify parts that are broken or defective. Please contact the store immediately.
2. This product is for home use only and not intended for commercial establishments.



ASSEMBLY TIME

60 MINUTES

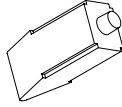
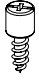
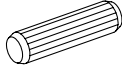

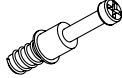





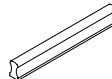
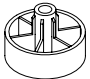





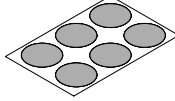
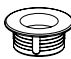
PARTS IDENTIFICATION

A	LEFT SIDE PANEL		1 PC	G	BACK CROSS BRACE		2 PCS
B	RIGHT SIDE PANEL		1 PC	H	UPPER BACK PANEL		3 PCS
C	BOTTOM PANEL		1 PC	I	LOWER BACK PANEL		1 PC
D	CROSS PANEL		1 PC	J	SHELF		3 PCS
E	TOP PANEL		1 PC	K	PARTITION PANEL		6 PCS
F	UPPER CROSS BRACE		1 PC	L	DOOR		3 PCS

NOTE:

Phillips head screw driver is required in the assembly process; however, manufacturer does not provide this item.

HARDWARE IDENTIFICATION

Z							
NO	DESCRIPTION	FIGURE	Q'TY	NO	DESCRIPTION	FIGURE	Q'TY
1	GLUE 40g		1 PC	11	PLASTIC SIDE SCREW Ø8x17mm		6 PCS
2	WOODEN DOWEL Ø8x30mm		22 PCS	12	BOLT Ø5x15mm		6 PCS
3	CAM BOLT Ø7x35.5mm SR		12 PCS	13	SCREW Ø4x15mm SR		18 PCS
4	CAM LOCK Ø15x12mm SR		12 PCS	14	FIXER		6 PCS
5	SCREW Ø4.5x42mm SR		4 PCS	15	FIXER SCREW Ø3x19mm SR		24 PCS
6	HANDLE L=120mm		3 PCS	16	FOOT Ø35xH19mm		4 PCS
7	HANDLE BOLT Ø4x28mm SR		6 PCS	17	WALL PLUG 6x30mm		4 PCS
8	PLASTIC SIDE		3 PCS	18	SCREW Ø4.3x35mm SR		4 PCS
9	LATCH-MALE		6 PCS	19	STICKER Ø20mm		2 PCS
10	LATCH-FEMALE		6 PCS				

Z6,Z7,Z8,Z16 not included in blister packaging.

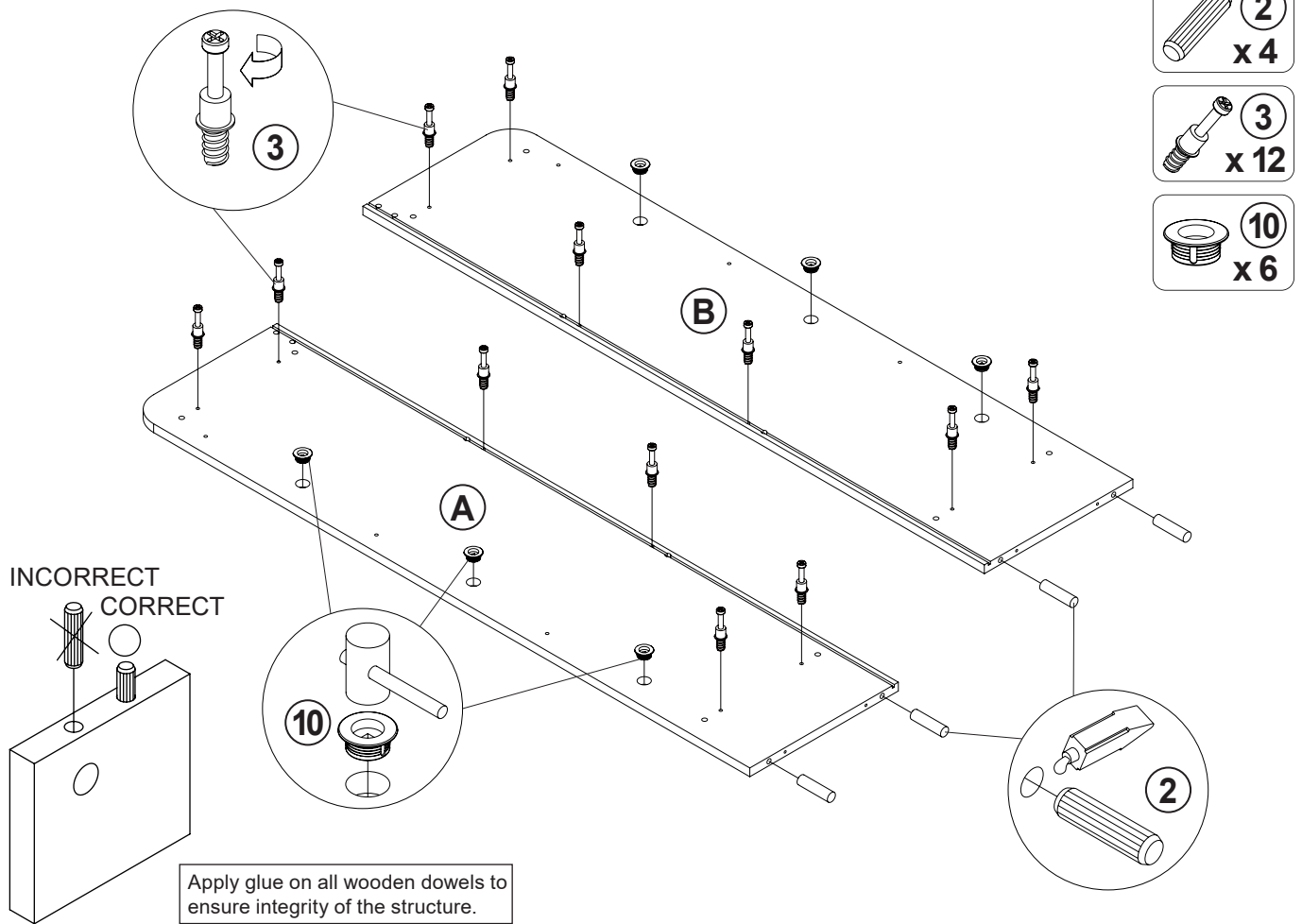
NOTE:

Phillips head screw driver is required in the assembly process; however, manufacturer does not provide this item.

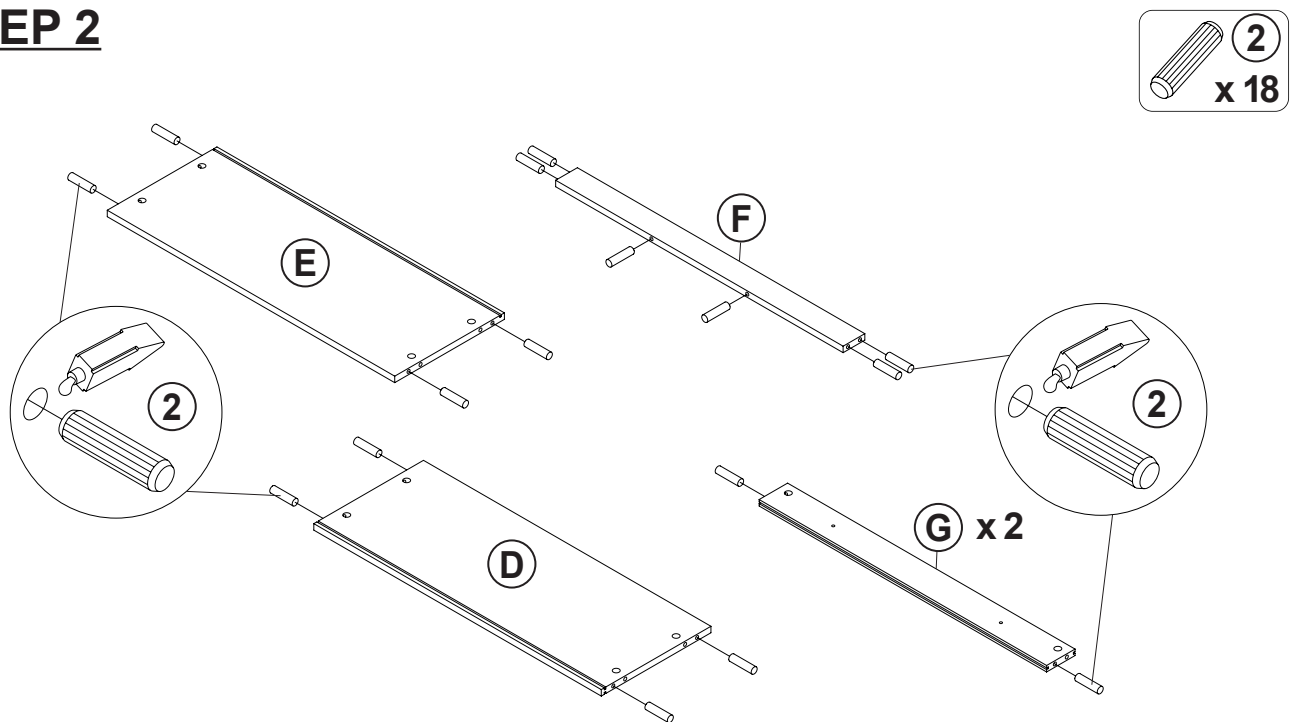
ITEM: 950425

COASTER
FINE FURNITURE

STEP 1

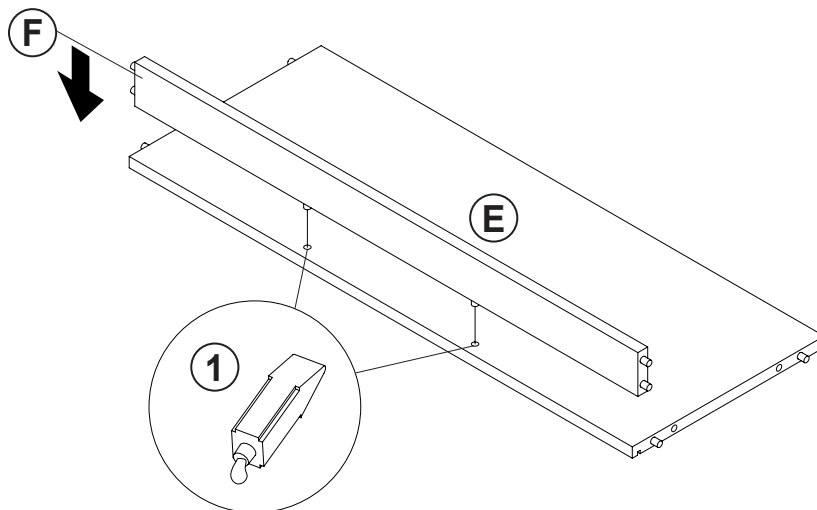


STEP 2

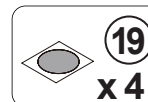
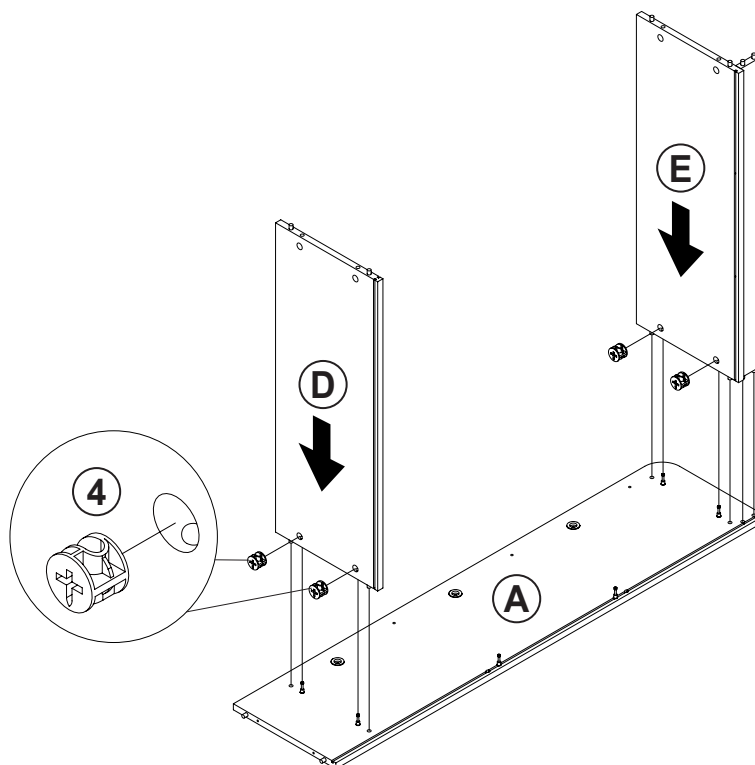
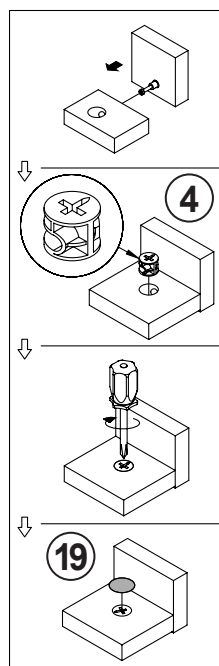


ITEM: **950425**

STEP 3



STEP 4

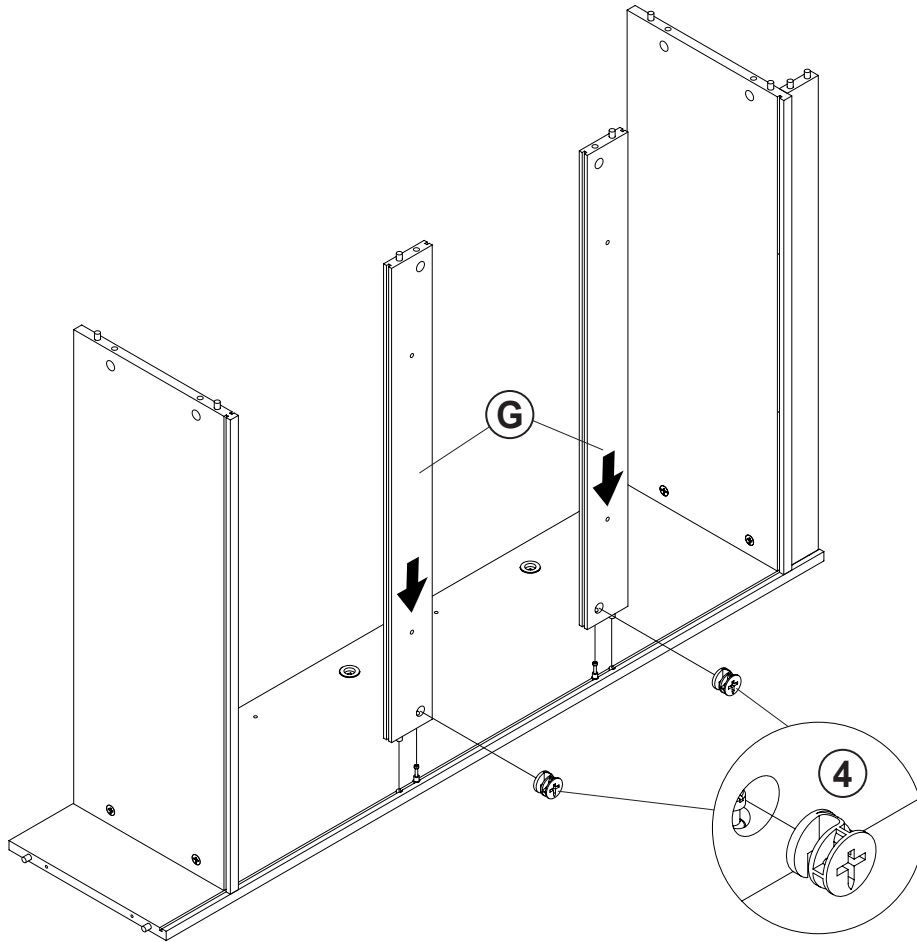
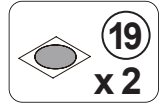


ITEM: **950425**

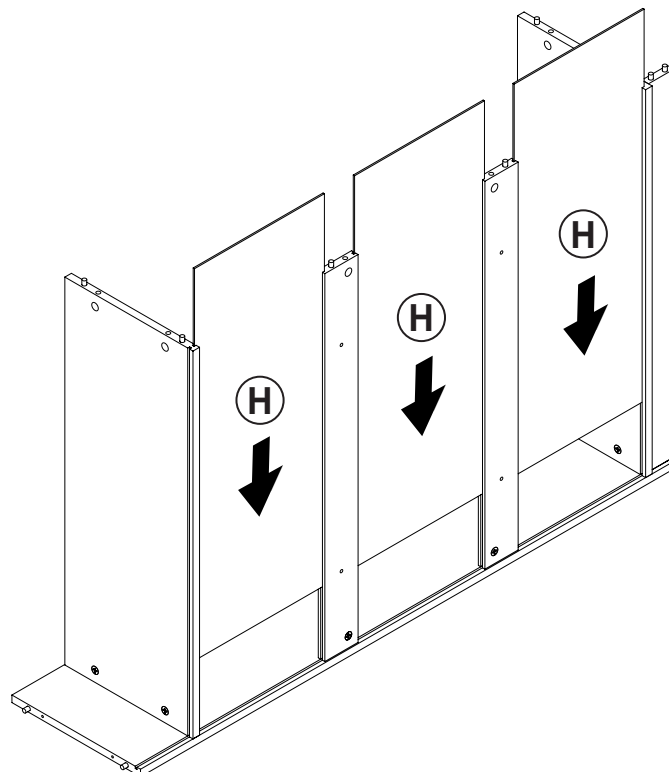
COASTER[®]

FINE FURNITURE

STEP 5



STEP 6

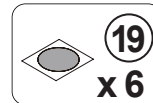
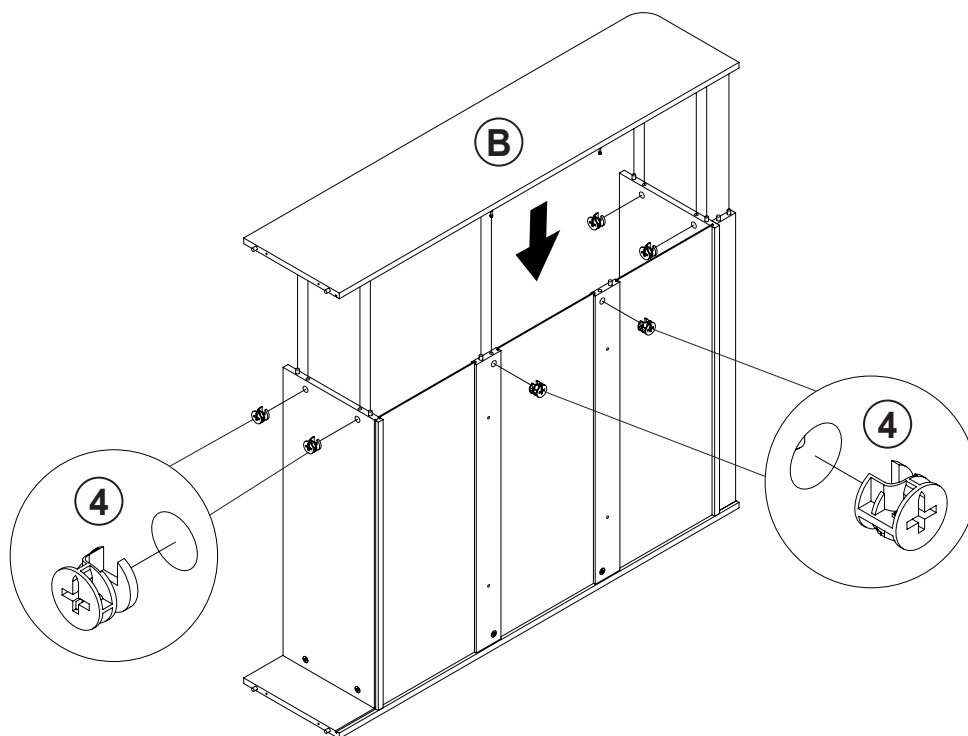


ITEM: 950425

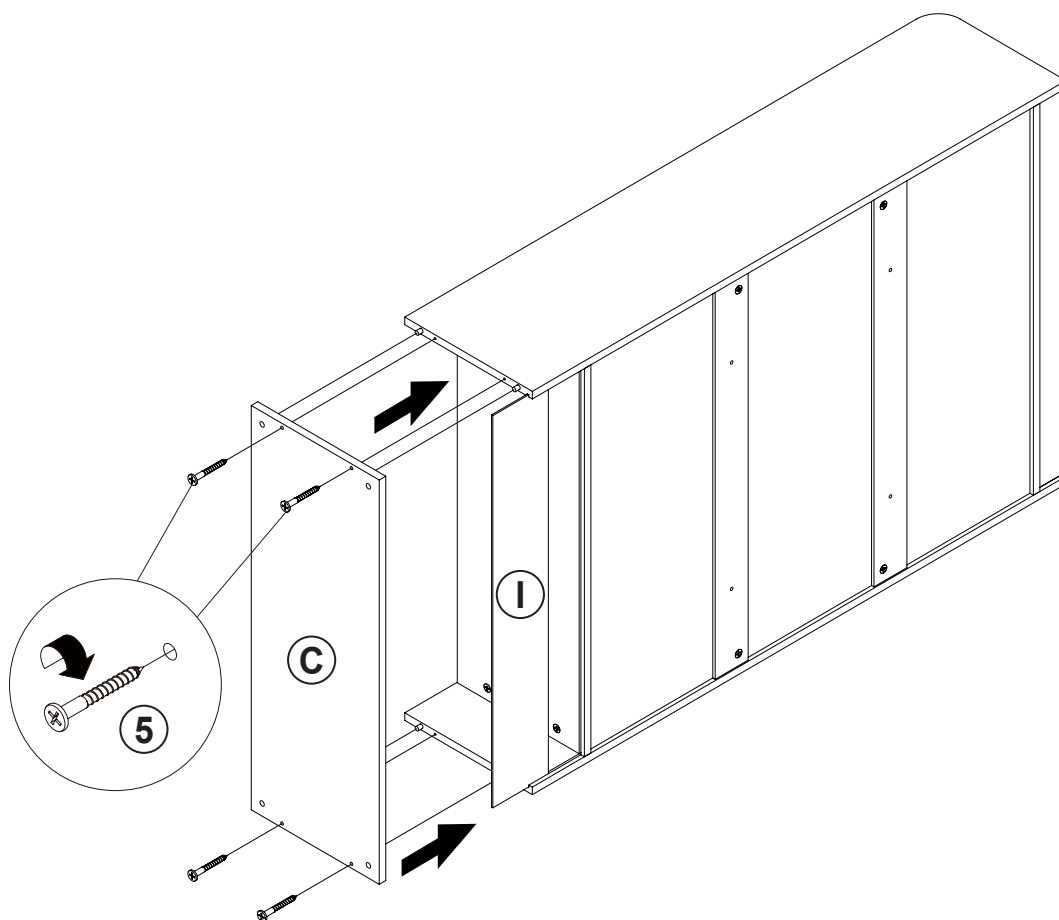
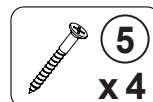
COASTER[®]

FINE FURNITURE

STEP 7



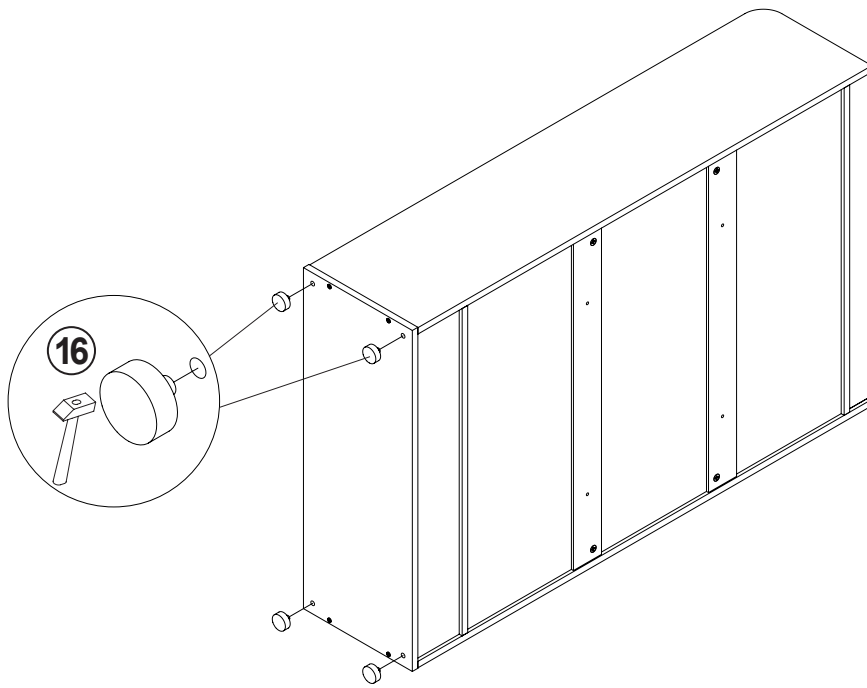
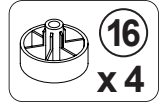
STEP 8



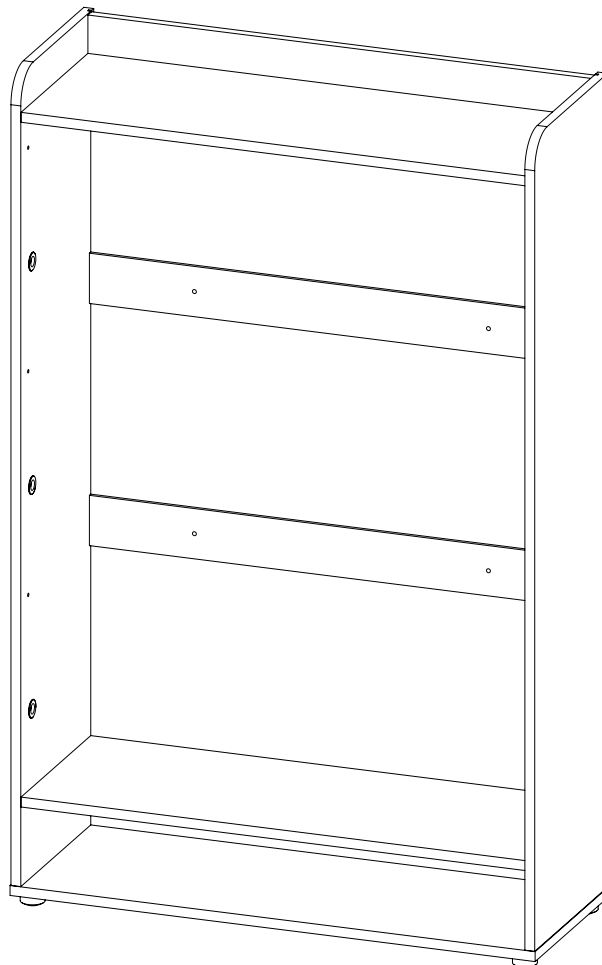
ITEM: **950425**

COASTER
FINE FURNITURE

STEP 9



STEP 10

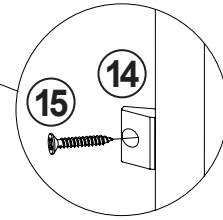
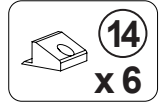
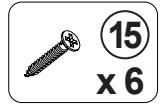
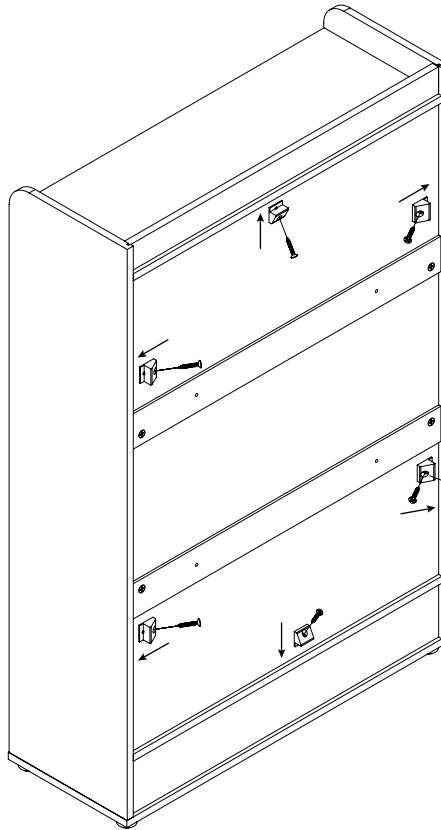
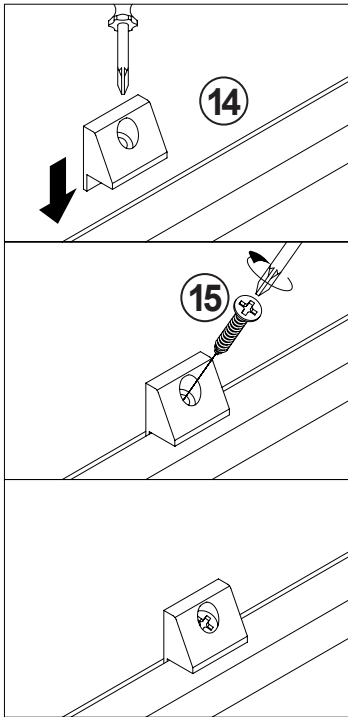


ITEM: **950425**

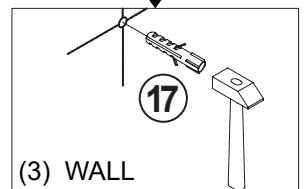
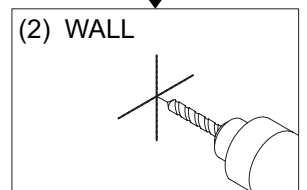
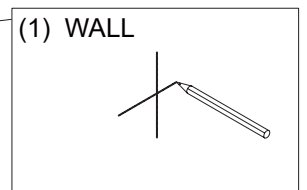
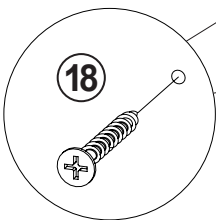
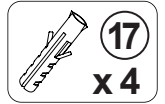
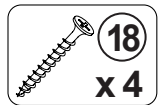
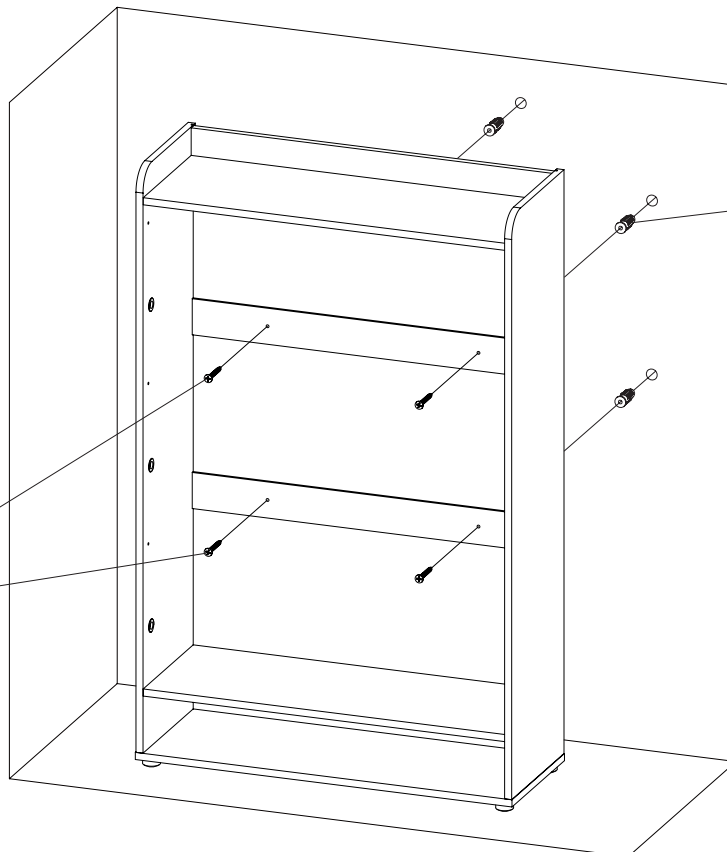
COASTER[®]

FINE FURNITURE

STEP 11



STEP 12



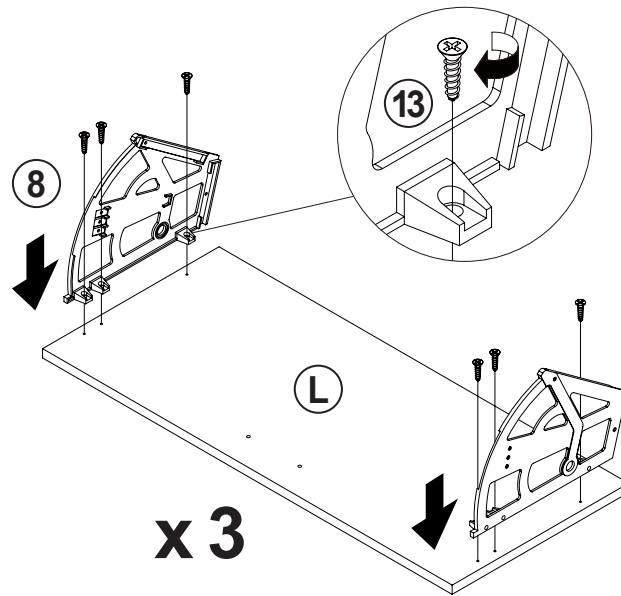
ITEM: 950425

COASTER
FINE FURNITURE

STEP 13

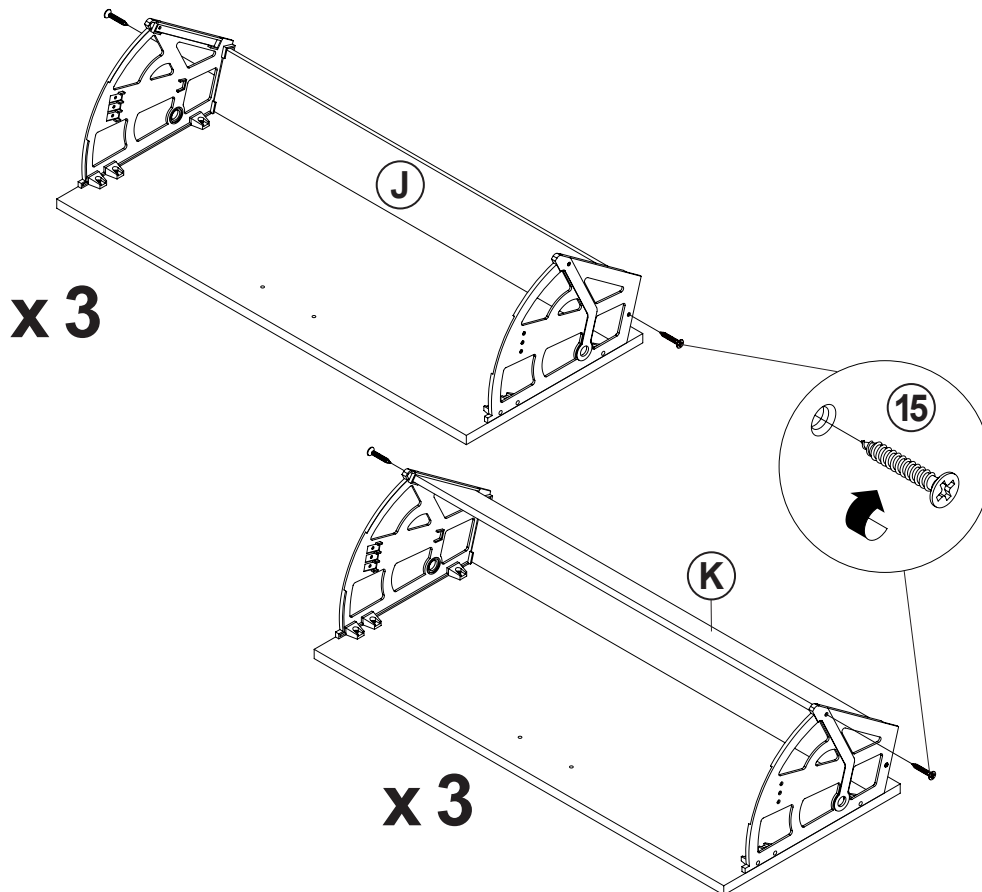
13
x 18

8
x 3



STEP 14

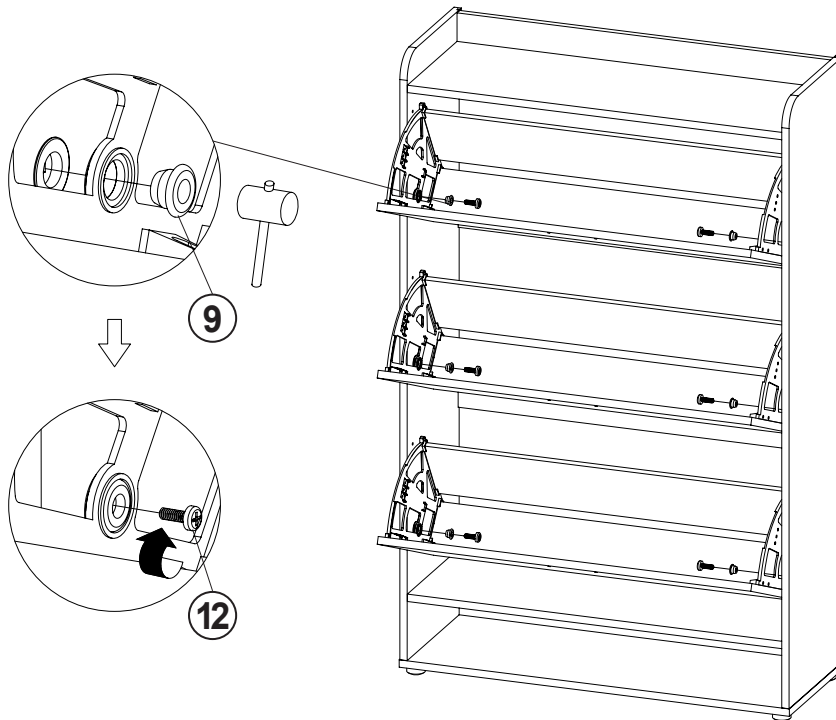
15
x 12


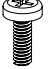


ITEM: 950425

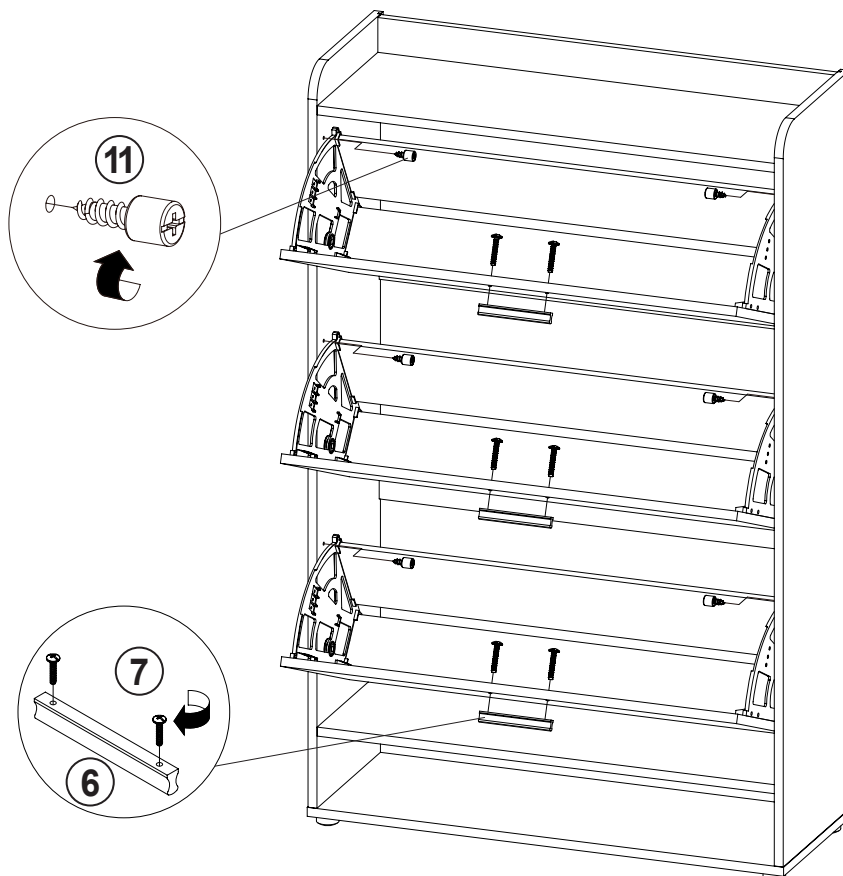
COASTER
FINE FURNITURE

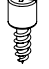

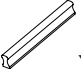
STEP 15



-  **9**
x 6
-  **12**
x 6

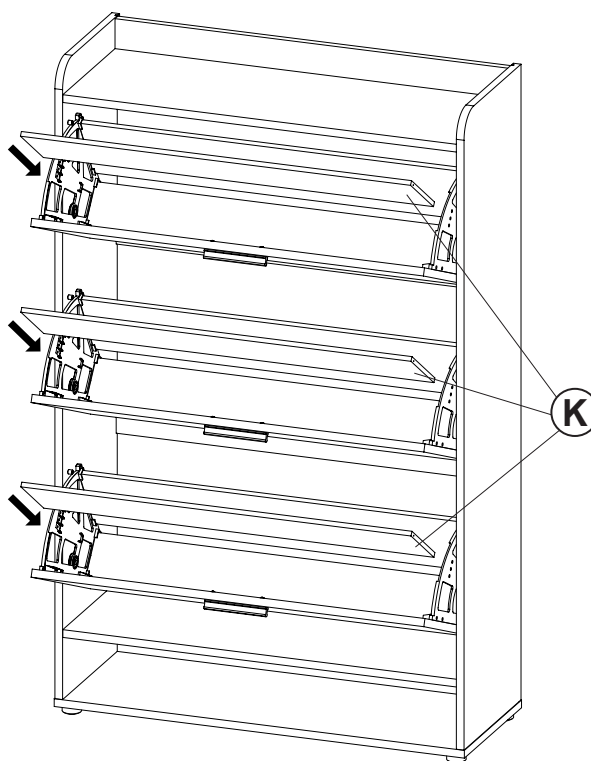
STEP 16



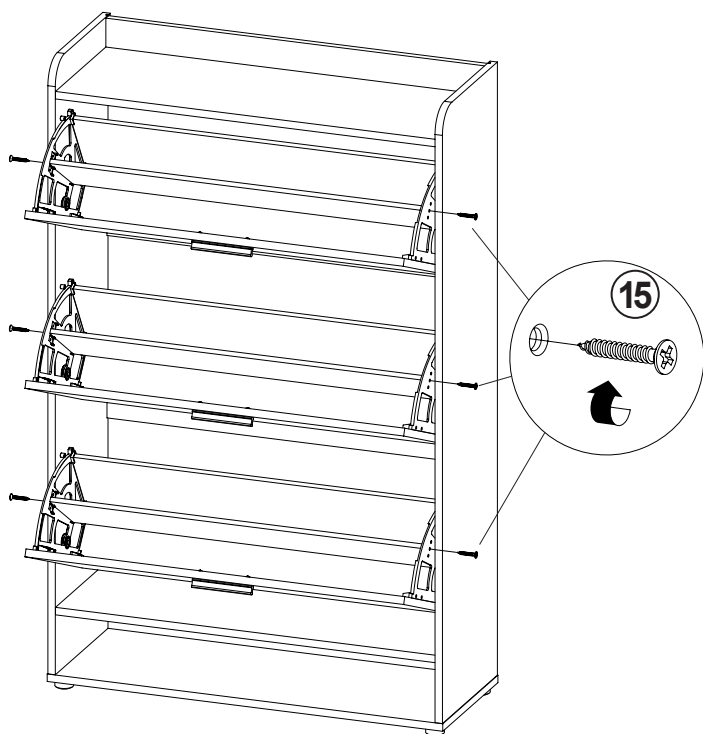
-  **11**
x 6
-  **7**
x 6
-  **6**
x 3

ITEM: **950425**

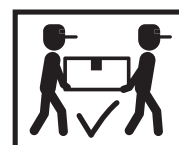
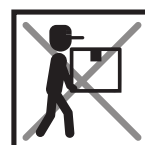
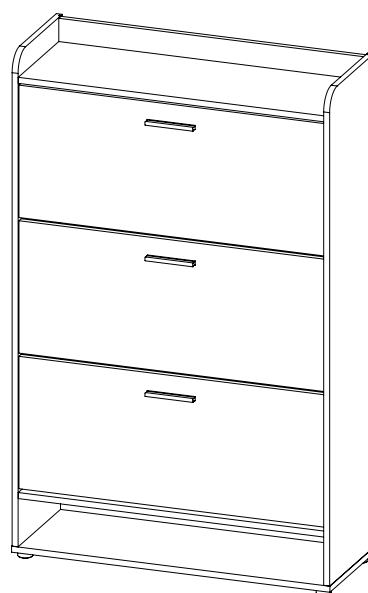
STEP 17



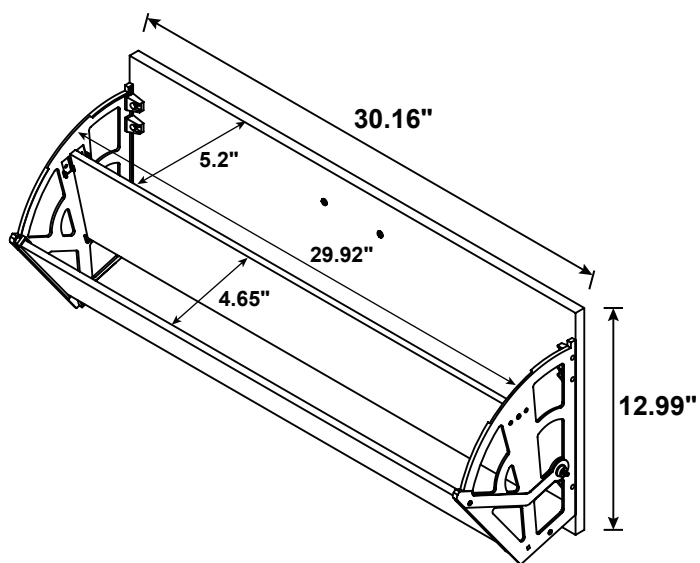
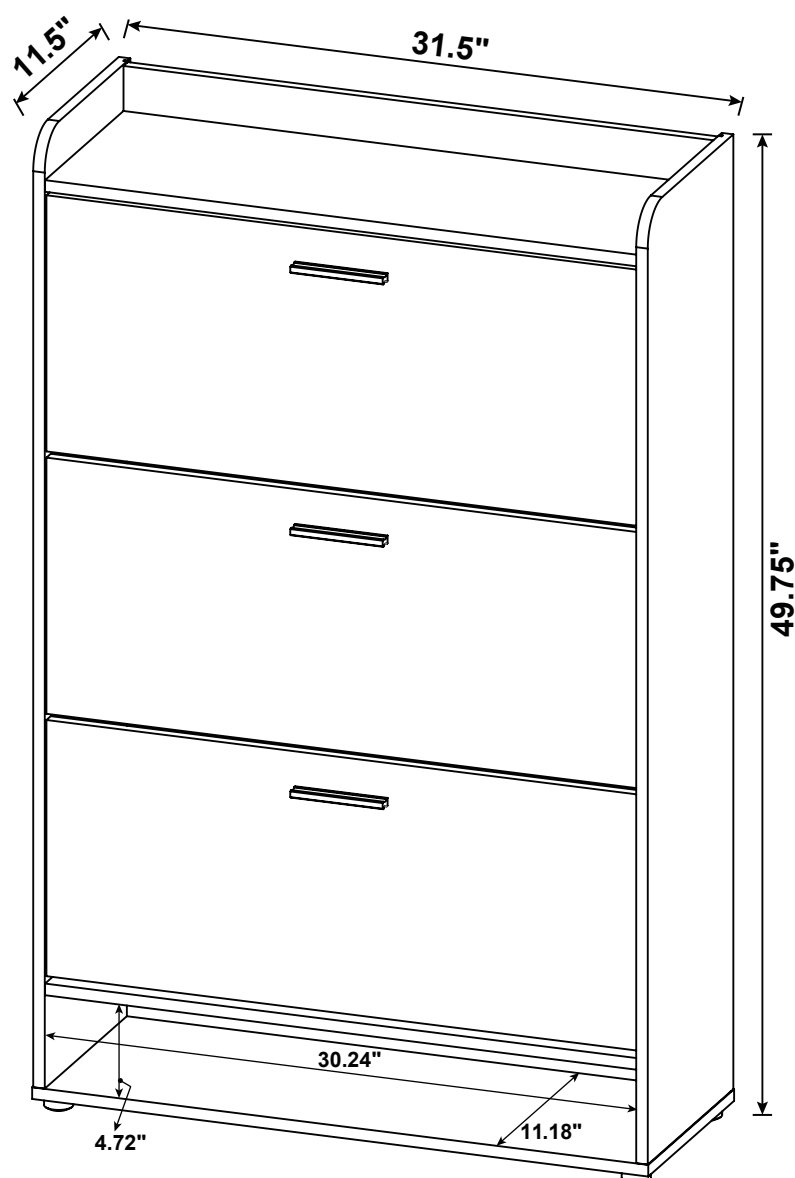
STEP 18



STEP 19
COMPLETE



ITEM: 950425



Note : Dimension tolerance $\pm 5\%$

ANTI-TIPPING INSTALLMENT INSTRUCTIONS

FURNITURE TIPPING RESTRAINT

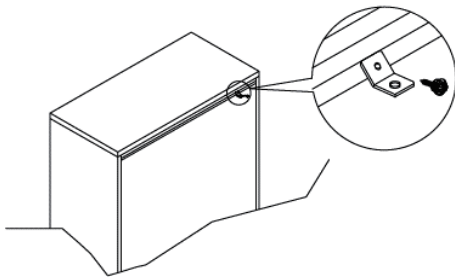
WARNING

Injury may result from tipping furniture.
This restraint may protect against tipping furniture.
Do not allow children to climb on furniture.
This restraint is not a substitute for proper adult supervision.
Failure to detach this restraint before moving the furniture may result in injury and damage.

This restraint must be screwed to a wood stud on the wall, using the long screw provided.

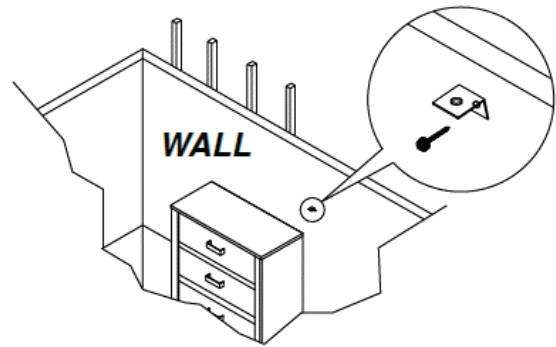
STEP 1

Secure the bracket to the back top of the unit, using the short screw provided, as shown in the drawing.



STEP 2

Locate the wood stud on the wall, and secure the other bracket, 2 inches below the back of the unit.



STEP 3

Place the furniture into position so both mounting brackets are vertically in line. Lace the end of the restraint strap through the larger hole in each mounting bracket. Bring both ends together and slide the flat end through the locking end, and drag it through, until the slack is removed. Ensure that the strap is securely laced and locked.

