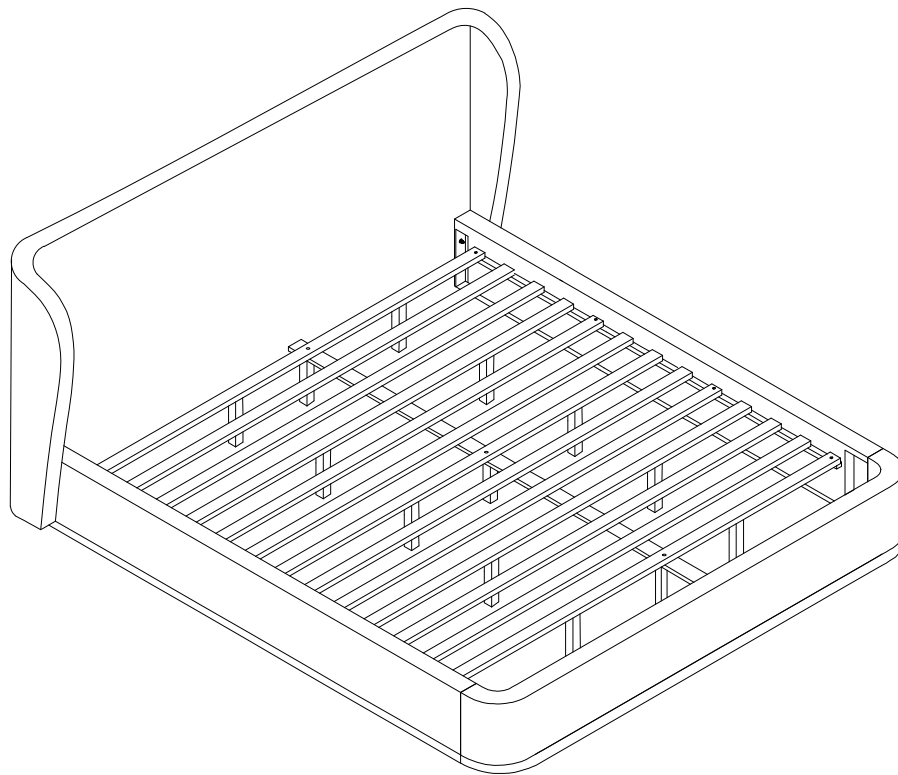


ASSEMBLY INSTRUCTIONS
COASTER FINE FURNITURE



Fine Furniture for every stage of life

315967BLKKE(B1&B2)
Eastern King Bed

ITEM: 315967BLKKE(B1&B2)



ASSEMBLY INSTRUCTIONS

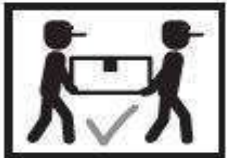
ASSEMBLY TIPS:

1. Remove hardware from box and sort by size.
2. Please check to see that all hardware and parts are present prior to start of assembly.
3. Please follow attached instructions in the same sequence as numbered to assure fast & easy assembly.



WARNING!

1. Don't attempt to repair or modify parts that are broken or defective. Please contact the store immediately.
2. This product is for home use only and not intended for commercial establishments.



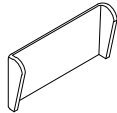
ASSEMBLY TIME

30 MINUTES

PARTS IDENTIFICATION

B1 (BOX 1)

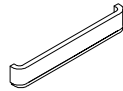
A HEADBOARD



1PC

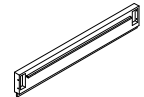
B2 (BOX 2)

B FOOTBOARD



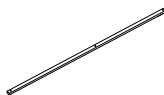
1PC

C BED RAIL



2PCS

D CENTER RAIL



1PC

E CENTER RAIL SUPPORT WITH LEVELER



3PCS

F ROLL SLAT (13PCS)



1SET

G BED SLAT SUPPORT WITH LEVELER



10PCS

ITEM: 315967BLKKE(B1&B2)



ASSEMBLY INSTRUCTIONS

ASSEMBLY TIPS:

1. Remove hardware from box and sort by size.
2. Please check to see that all hardware and parts are present prior to start of assembly.
3. Please follow attached instructions in the same sequence as numbered to assure fast & easy assembly.




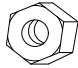




WARNING!

1. Don't attempt to repair or modify parts that are broken or defective. Please contact the store immediately.
2. This product is for home use only and not intended for commercial establishments.

HARDWARE IDENTIFICATION

Z-B2 (BOX 2) - HARDWARE PACK IS LOCATED IN 315967BLKKE(B2)

1	THREADED BOLT (Ø5/16" x 90mm- RBW)		8PCS	2	FLAT WASHER (Ø5/16"x 22mm - RBW)		8PCS
3	LOCK WASHER (Ø5/16" - RBW)		8PCS	4	HEX NUT (Ø5/16 x1/2"- RBW)		8PCS
5	FLAT HEAD SCREW (M4 x 35mm - RBW)		8PCS	6	WRENCH (1/2"x 3 1/2"- RBW)		1PC

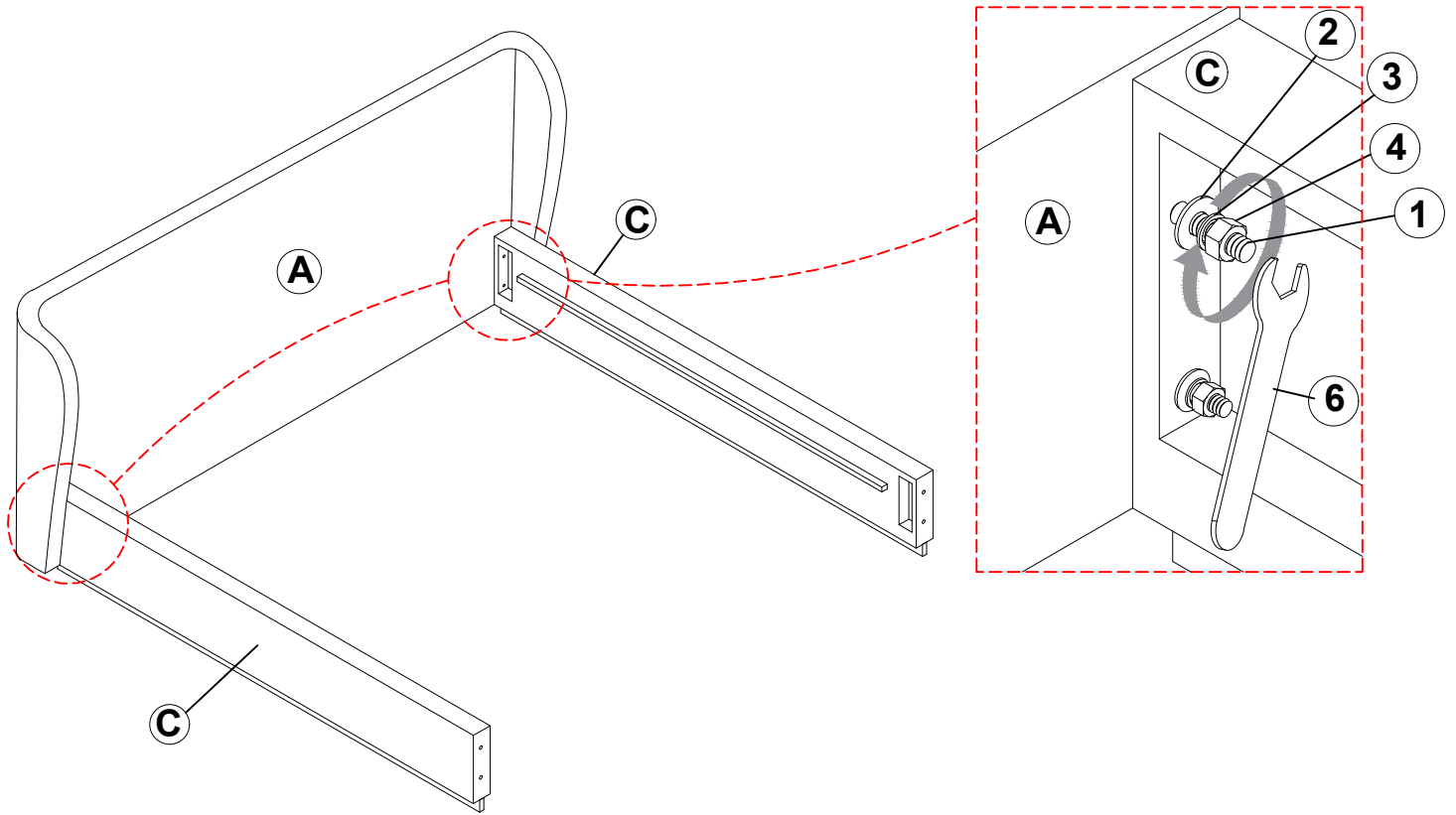
NOTE:

Phillips head screw driver is required in the assembly process; however, manufacturer does not provide this item.

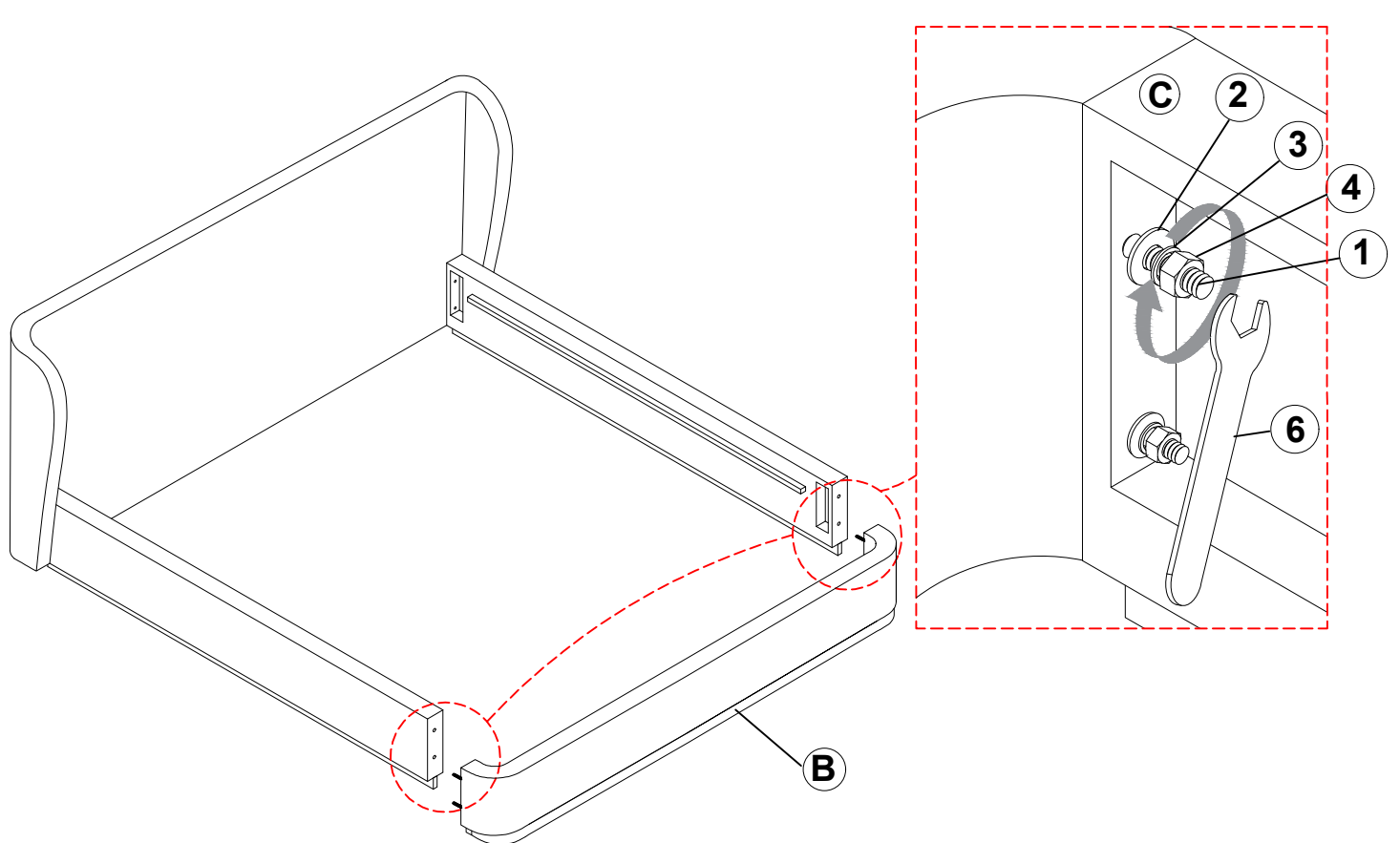
ITEM: 315967BLKKE(B1&B2)

ASSEMBLY INSTRUCTIONS

STEP 1



STEP 2

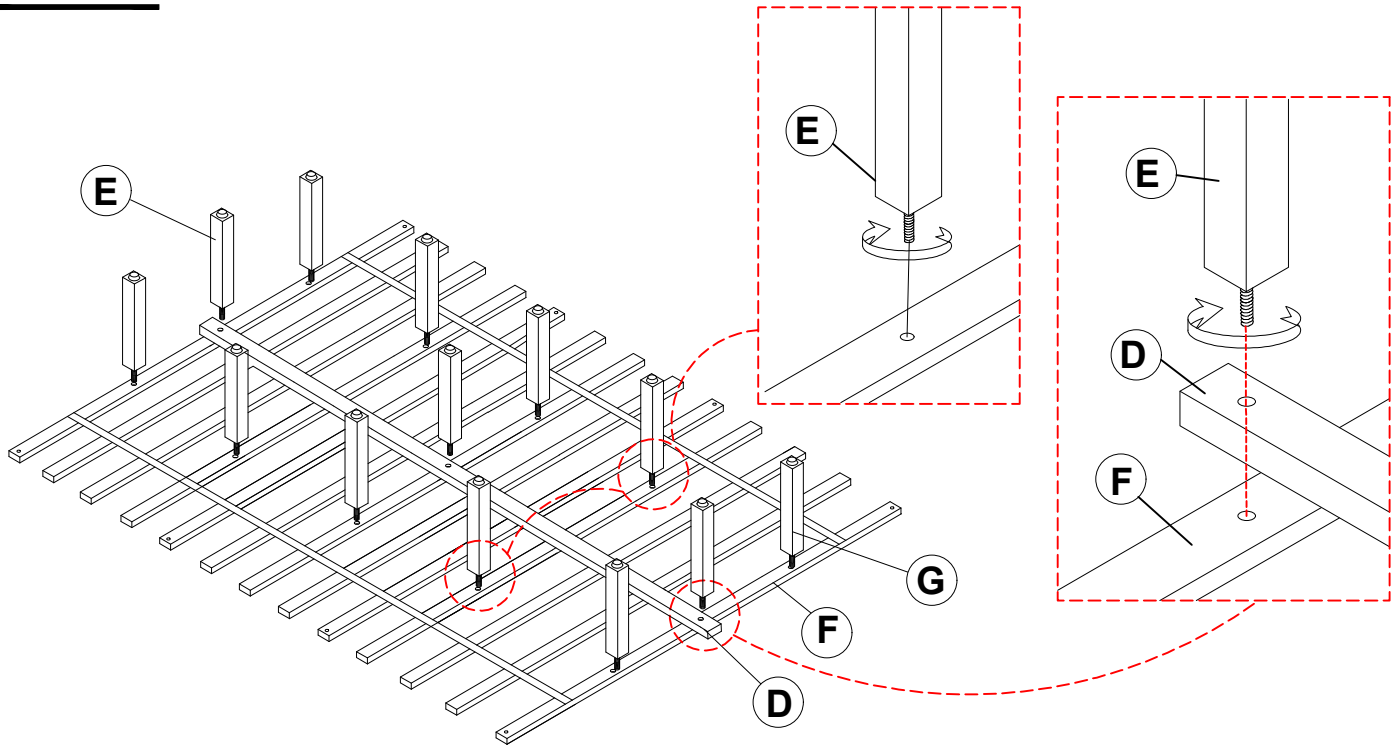


ITEM: **315967BLKKE(B1&B2)**

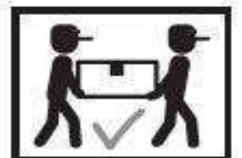
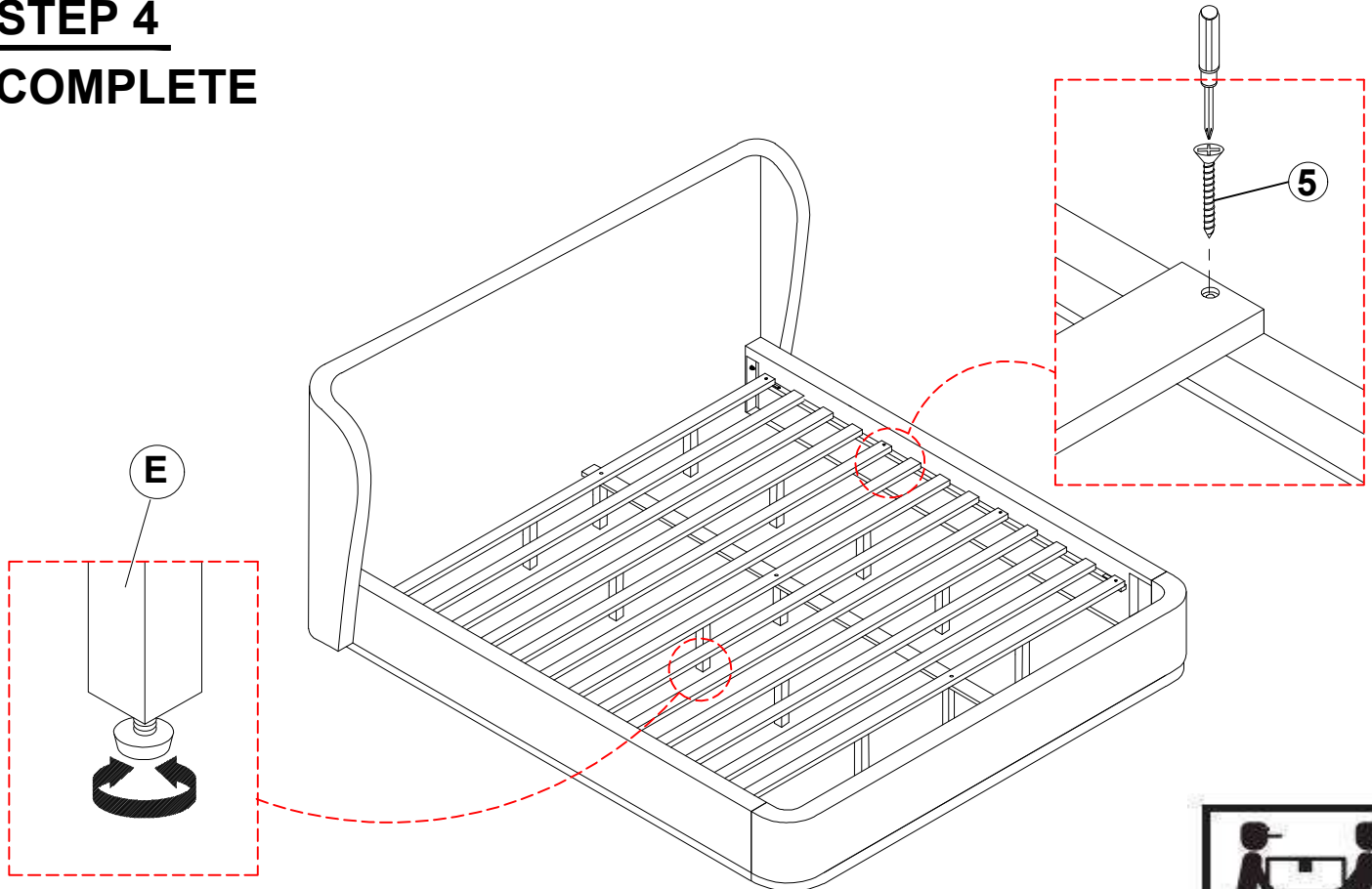


ASSEMBLY INSTRUCTIONS

STEP 3



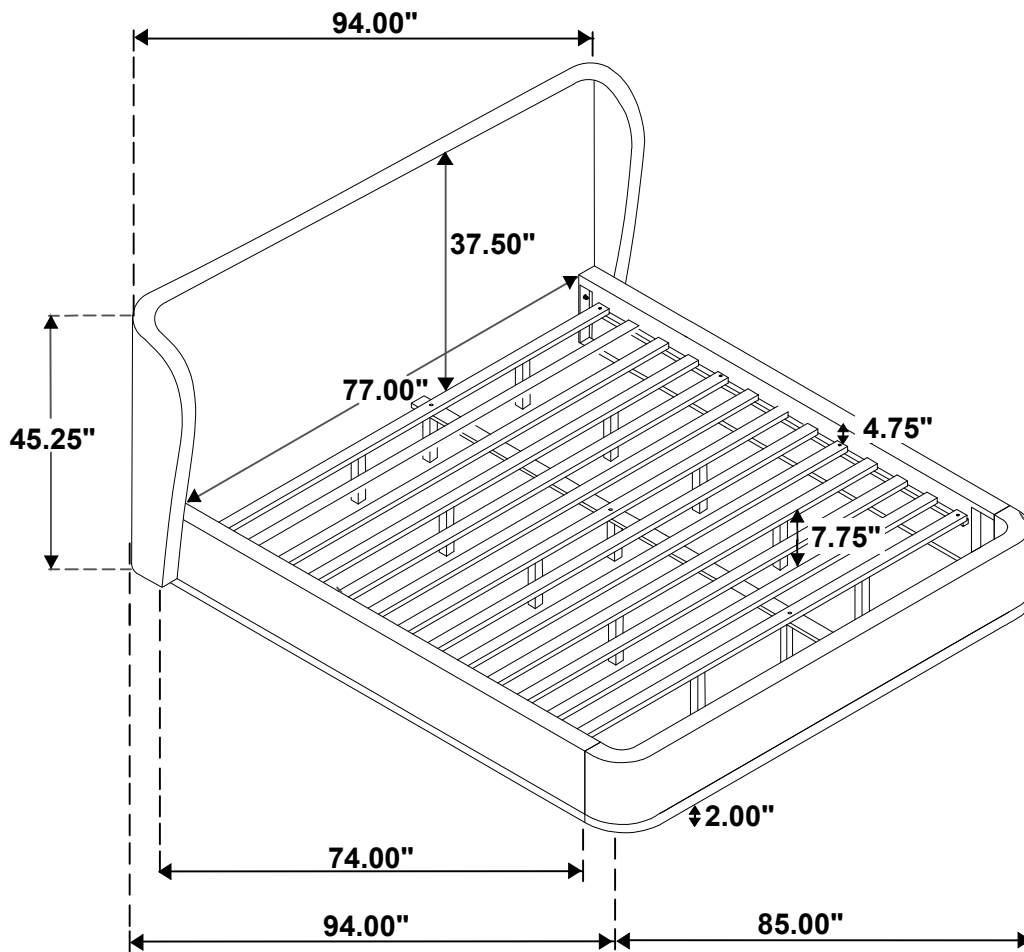
STEP 4
COMPLETE



ITEM: **315967BLKKE(B1&B2)**



Inner size: 77.00"W x 81.00"D



Note: Dimension tolerance $\pm 5\%$