

ASSEMBLY INSTRUCTIONS
COASTER FINE FURNITURE



Fine Furniture for every stage of life

193938WAL
Counter Height Dining Table

ITEM: 193938WAL

ASSEMBLY INSTRUCTIONS



ASSEMBLY TIPS:

1. Remove hardware from box and sort by size.
2. Please check to see that all hardware and parts are present prior to start of assembly.
3. Please follow attached instructions in the same sequence as numbered to assure fast & easy assembly.



WARNING!

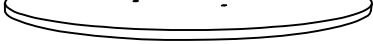

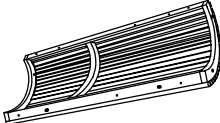
1. Don't attempt to repair or modify parts that are broken or defective. Please contact the store immediately.
2. This product is for home use only and not intended for commercial establishments.




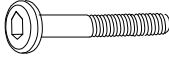
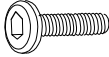


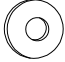
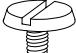
ASSEMBLY TIME

20 MINUTES

PARTS IDENTIFICATION

| | | | |
|---|--|---|------|
| A | TOP |  | 1PC |
| B | MOUNTING PLATE (PRE-ATTACHED TO TOP) |  | 1PC |
| C | LEG |  | 3PCS |

HARDWARE IDENTIFICATION

| | | | |
|---|--|--|-------|
| 1 | ALLEN WRENCH (M4 x 63mm - BLK) |  | 1PC |
| 2 | LONG BOLT (M6 x 50mm - RBW) |  | 9PCS |
| 3 | SHORT BOLT (M6 x 35mm - RBW) |  | 4PCS |
| 4 | LOCK WASHER (1/4" - BLK) |  | 17PCS |
| 5 | SMALL FLAT WASHER (M6 x 13mm - RBW) |  | 6PCS |
| 6 | BIG FLAT WASHER (1/4" - RBW) |  | 11PCS |
| 7 | LEVELER (M6 x 14.8mm) |  | 6PCS |

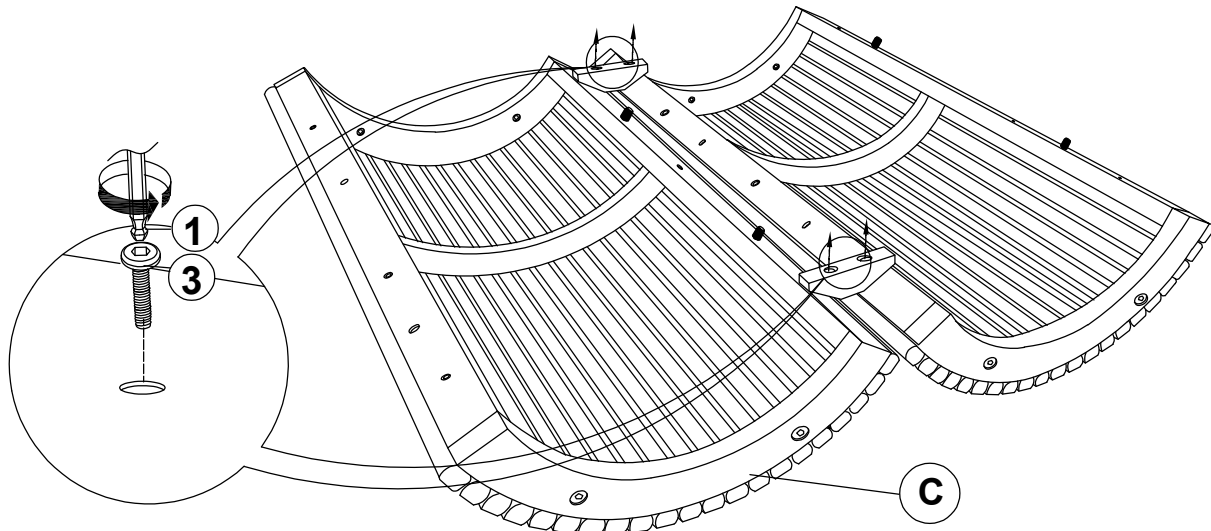
ITEM: 193938WAL

ASSEMBLY INSTRUCTIONS



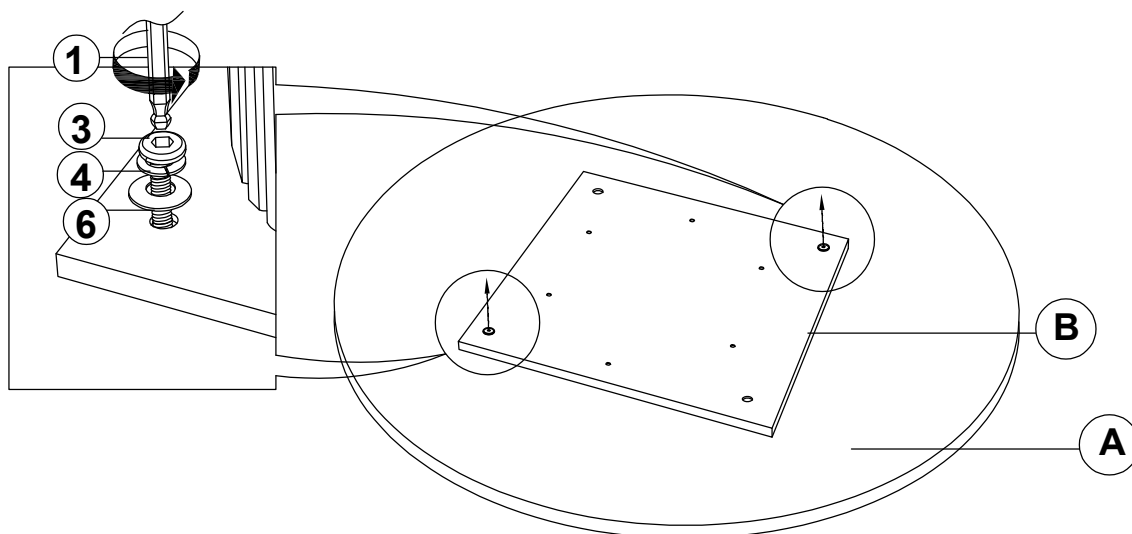
STEP 1

Attention! unscrew Short Bolt from wood cleat. Please keep the Short Bolt to be use in **STEP 5**.



STEP 2

Unscrew all hardware Short Bolt, Lock Washer & Big Flat Washer.
Keep the hardware to be use in **STEP 6**.

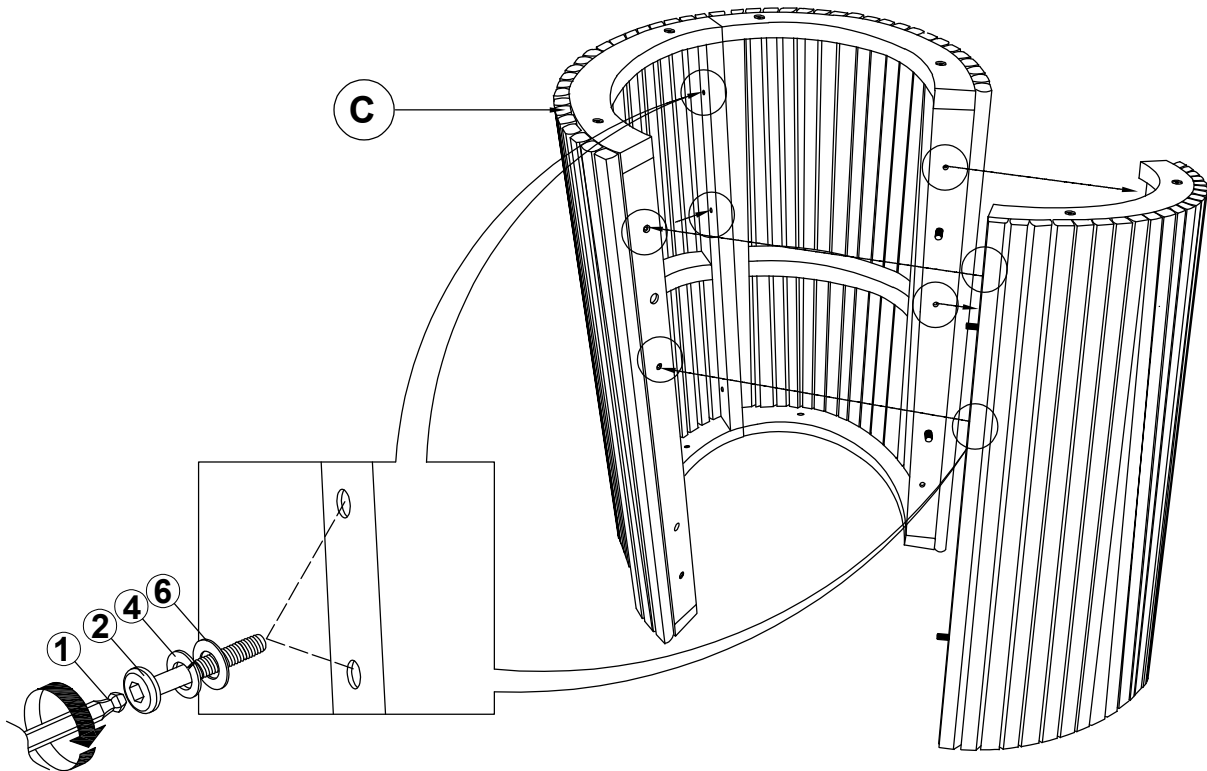


ITEM: 193938WAL

ASSEMBLY INSTRUCTIONS

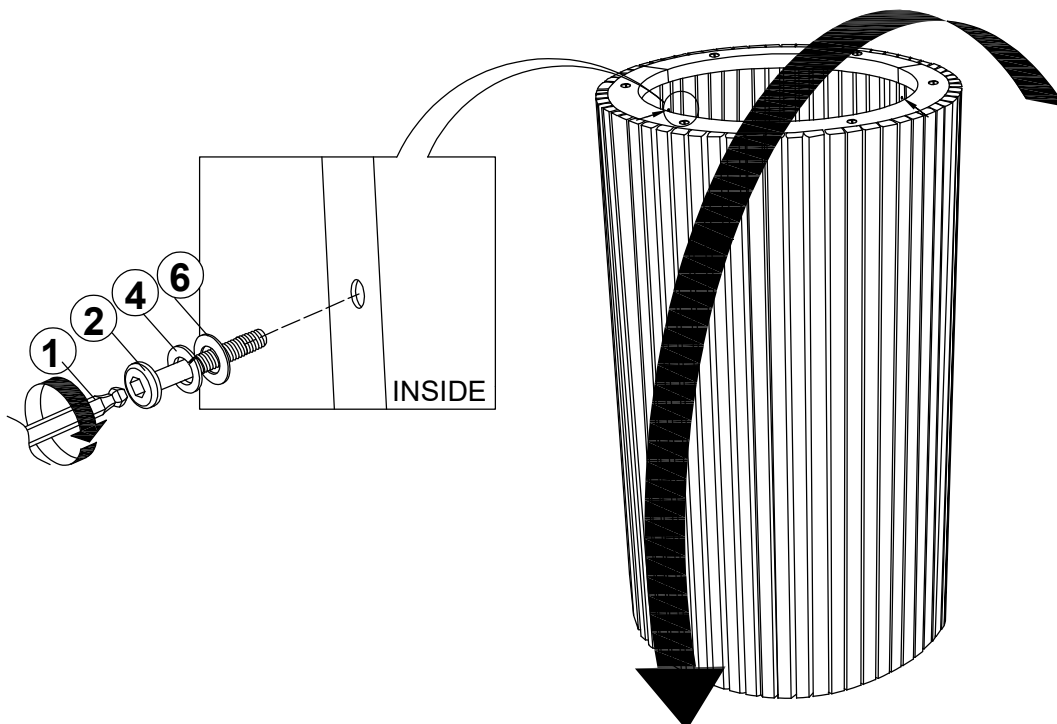


STEP 3



STEP 4

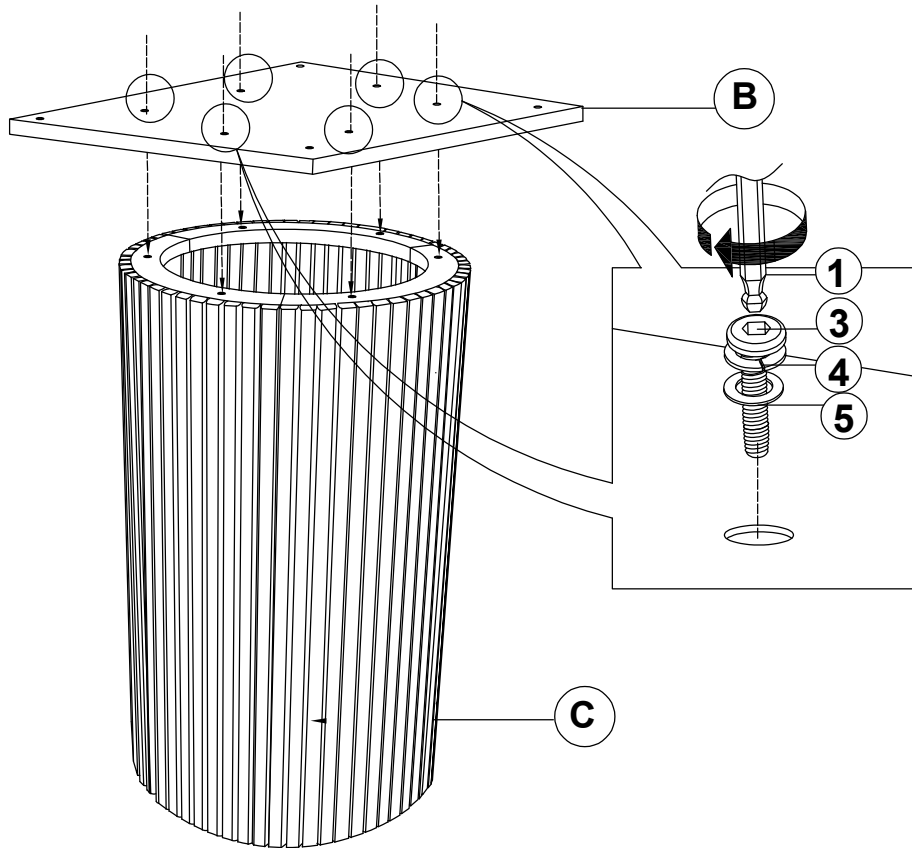
Attention! Carefully turn the table base assembly to the other side before proceeding with the next step.



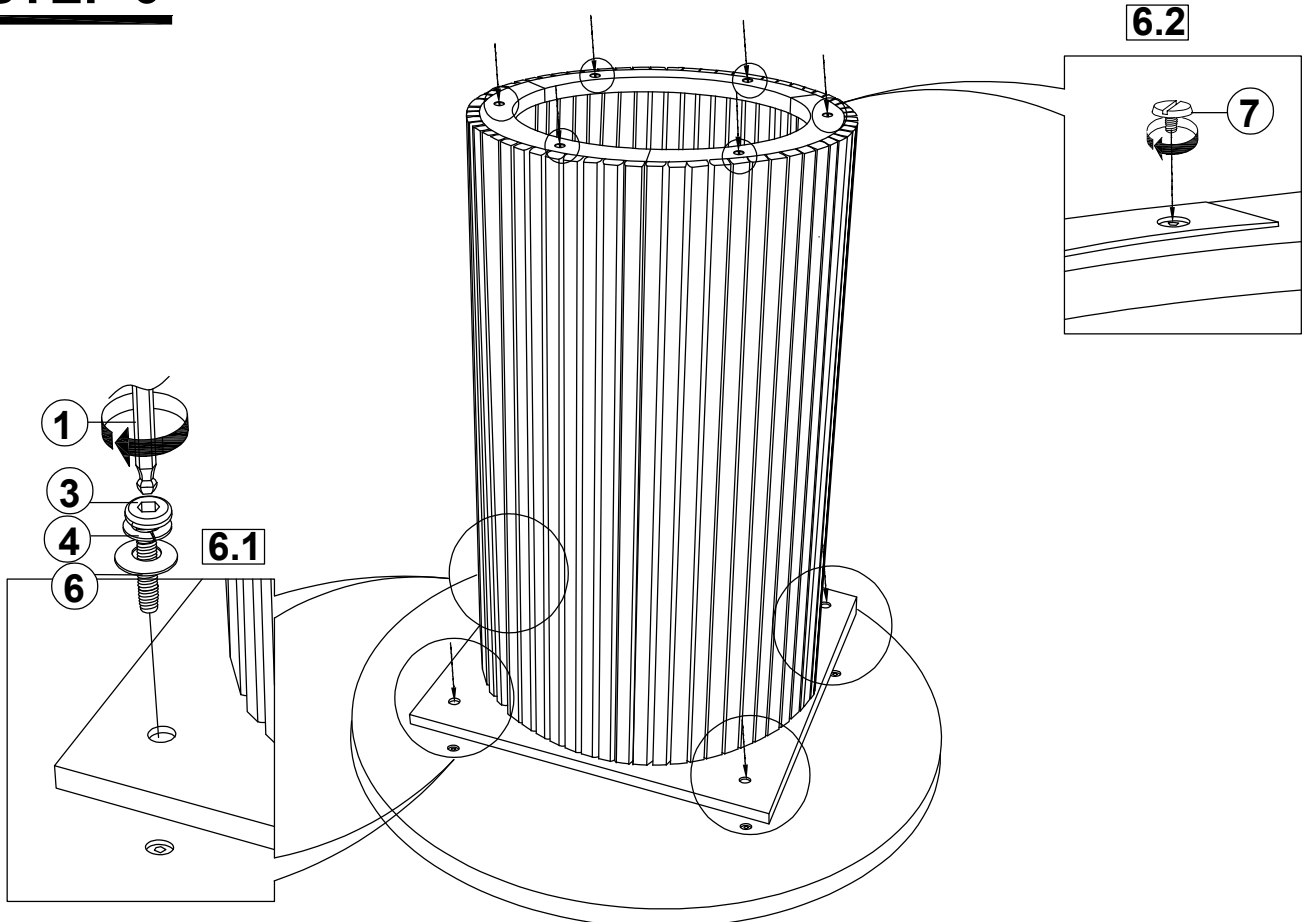
ITEM: **193938WAL**
ASSEMBLY INSTRUCTIONS



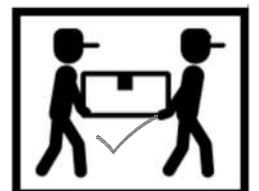
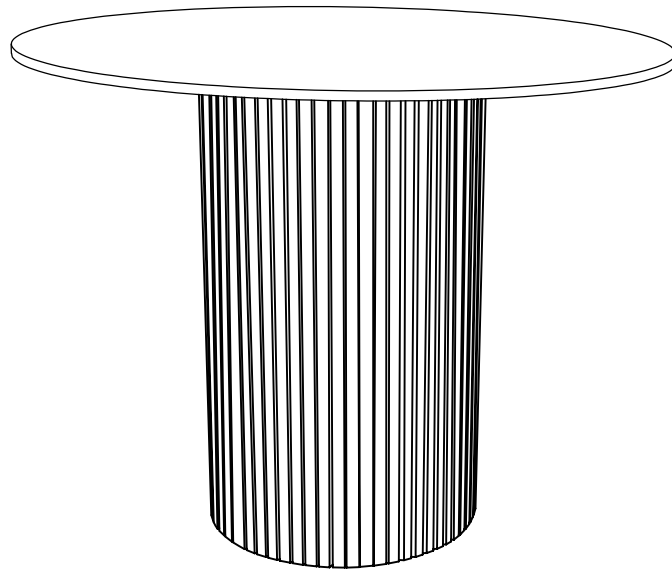
STEP 5



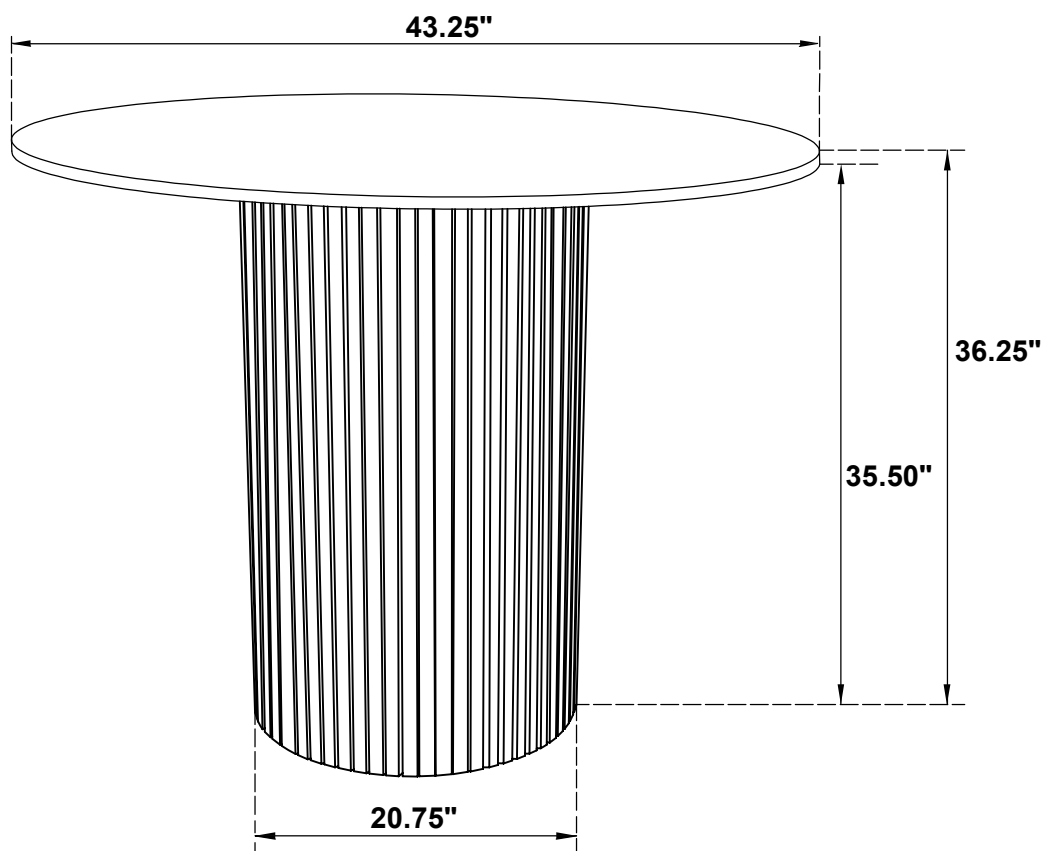
STEP 6



ITEM: **193938WAL**
ASSEMBLY INSTRUCTIONS
STEP 7
COMPLETE



ITEM: **193938WAL**



Note: Dimension tolerance $\pm 5\%$