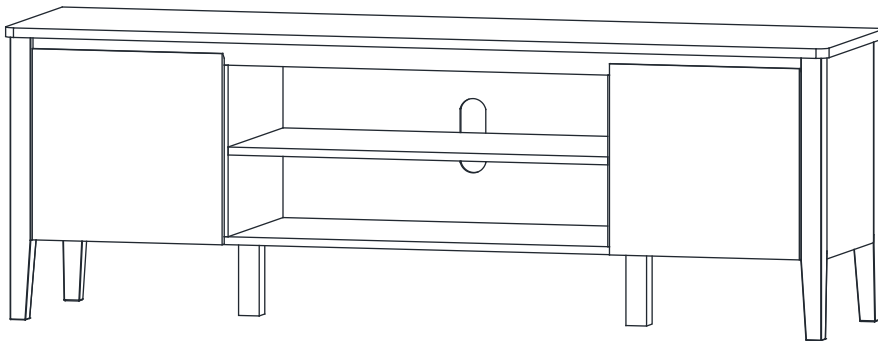


**ASSEMBLY INSTRUCTIONS**  
**COASTER FINE FURNITURE**



*Fine Furniture for every stage of life*

**701672**  
**TV Stand**

# ITEM: 701672

## ASSEMBLY INSTRUCTIONS



### ASSEMBLY TIPS:

1. Remove hardware from box and sort by size.
2. Please check to see that all hardware and parts are present prior to start of assembly.
3. Please follow attached instructions in the same sequence as numbered to assure fast & easy assembly.



### WARNING!

1. Don't attempt to repair or modify parts that are broken or defective. Please contact the store immediately.
2. This product is for home use only and not intended for commercial establishments.



ASSEMBLY TIME

20 MINUTES

MAX TV SIZE : 70"

## PARTS IDENTIFICATION

A	TOP		1PC
B	LEFT LEG PANEL		1PC
C	RIGHT LEG PANEL		1PC
D	CENTER PANEL		2PCS
E	SHELF PANEL		1PC
F	TOP SUPPORT RAIL		2PCS
G	BOTTOM PANEL		1PC
H	BACK PANEL		1PC
I	LEFT DOOR		1PC
J	RIGHT DOOR		1PC
K	CENTER SUPPORT LEG WITH LEVELER		2PCS

# ITEM: 701672

## ASSEMBLY INSTRUCTIONS



### ASSEMBLY TIPS:

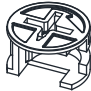



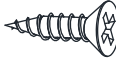

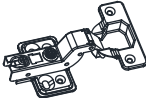
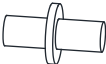
1. Remove hardware from box and sort by size.
2. Please check to see that all hardware and parts are present prior to start of assembly.
3. Please follow attached instructions in the same sequence as numbered to assure fast & easy assembly.



### WARNING!

1. Don't attempt to repair or modify parts that are broken or defective. Please contact the store immediately.
2. This product is for home use only and not intended for commercial establishments.

## HARDWARE IDENTIFICATION

1	<b>CAM NUT</b> (SR)		12PCS
2	<b>CAM BOLT</b> (SR)		12PCS
3	<b>WOOD DOWEL</b> (M8 X 30MM)		8PCS
4	<b>LONG FLAT HEAD SCREW</b> (M4 X 30MM - RBW)		20PCS
5	<b>SHORT FLAT HEAD SCREW</b> (M6 X 16MM - RBW)		24PCS
6	<b>PAN HEAD SCREW</b> (M4 X 16MM - RBW)		26PCS
7	<b>HINGE</b> (7/8" - RBW)		4PCS
8	<b>SHELF SUPPORT</b> (D5 X 16MM - SR)		4PCS

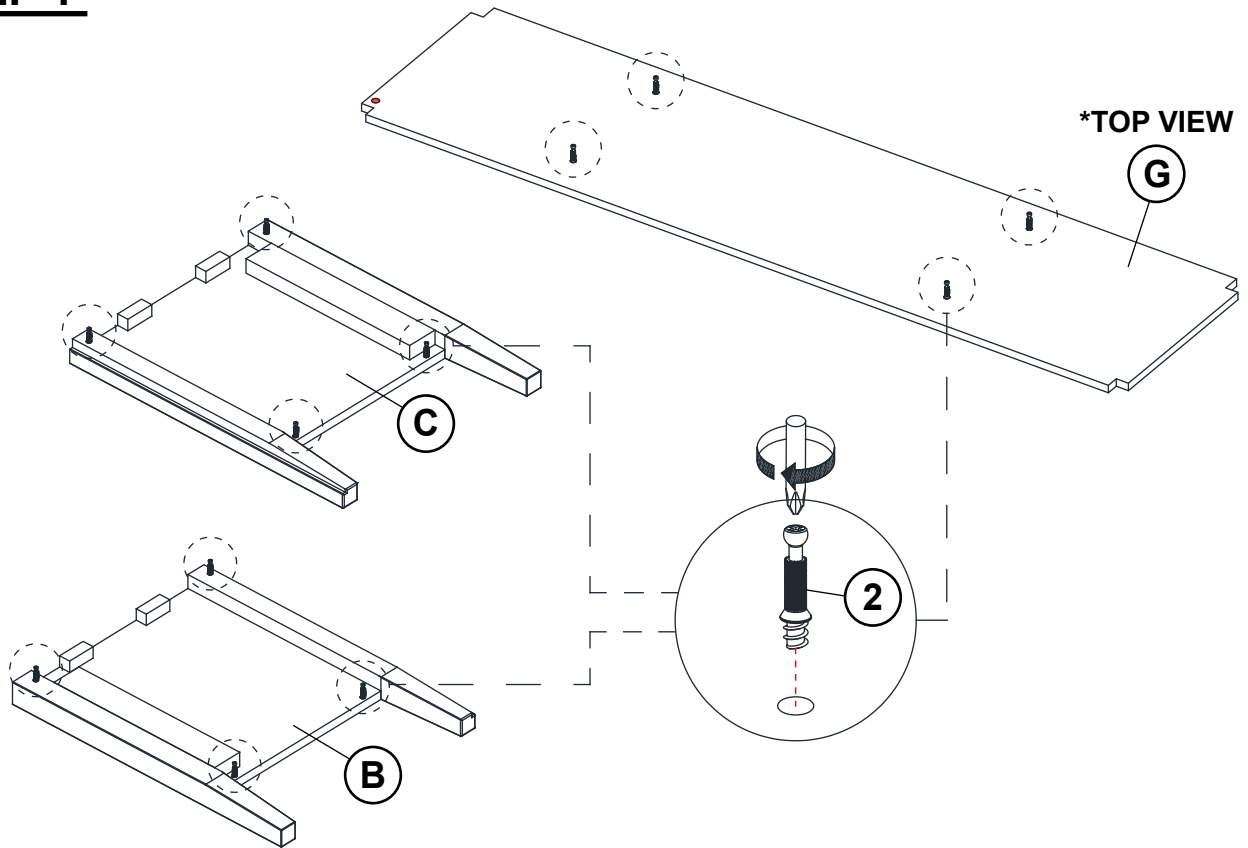
### NOTE :

Phillips head screw driver is required in the assembly process; however, manufacturer does not provide this item.

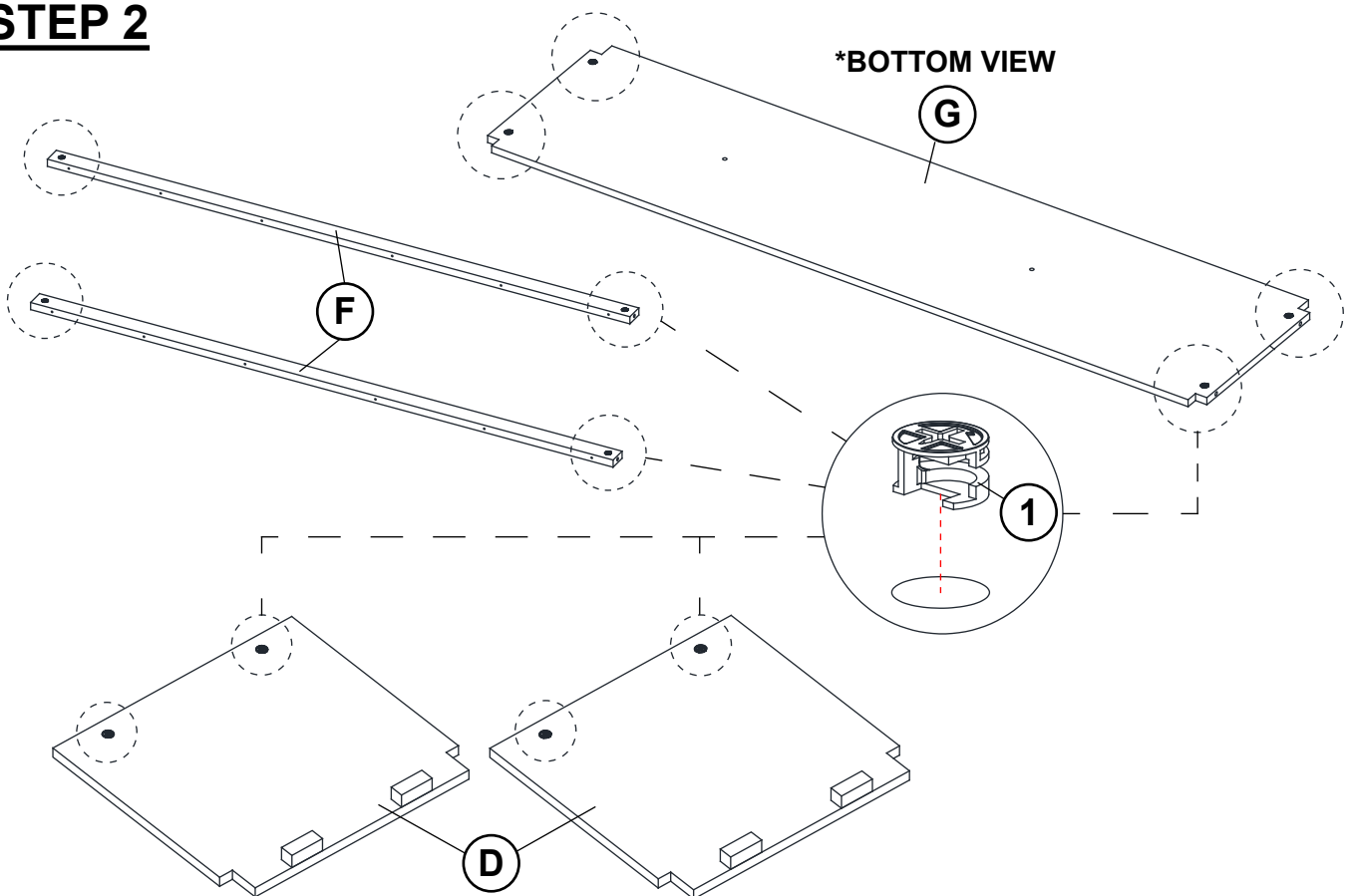
ITEM: **701672**

**ASSEMBLY INSTRUCTIONS**

**STEP 1**



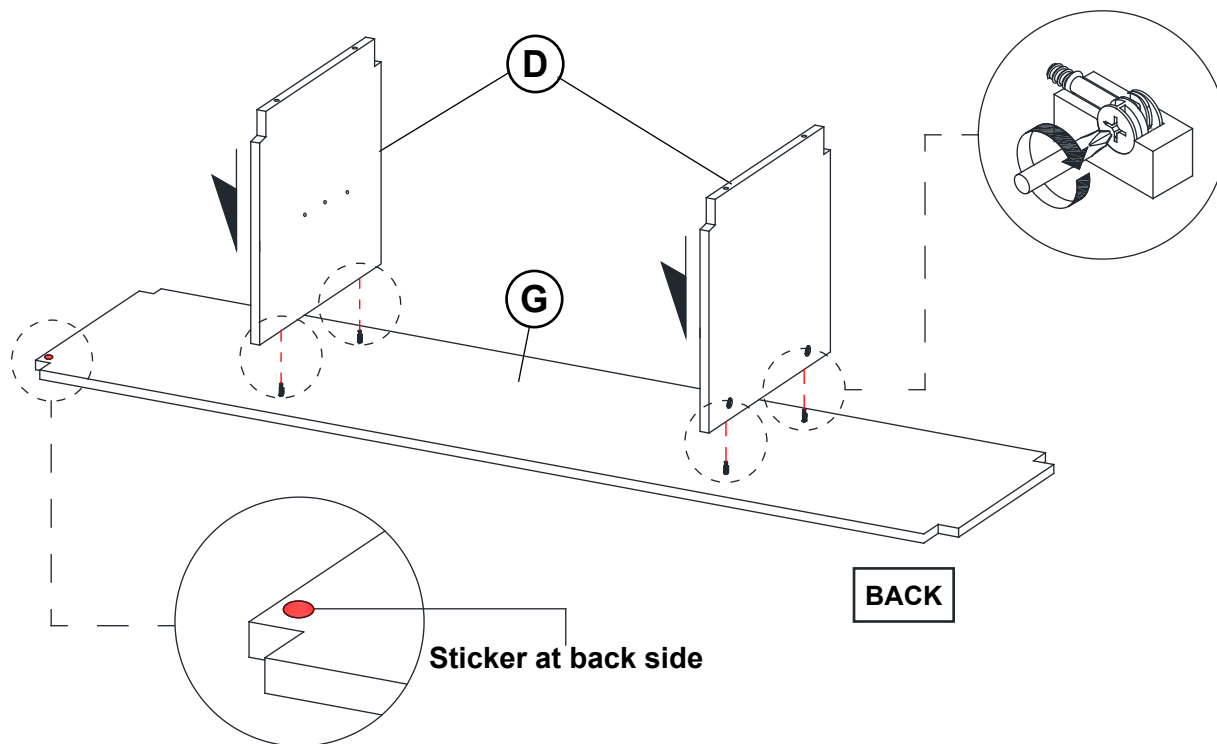
**STEP 2**



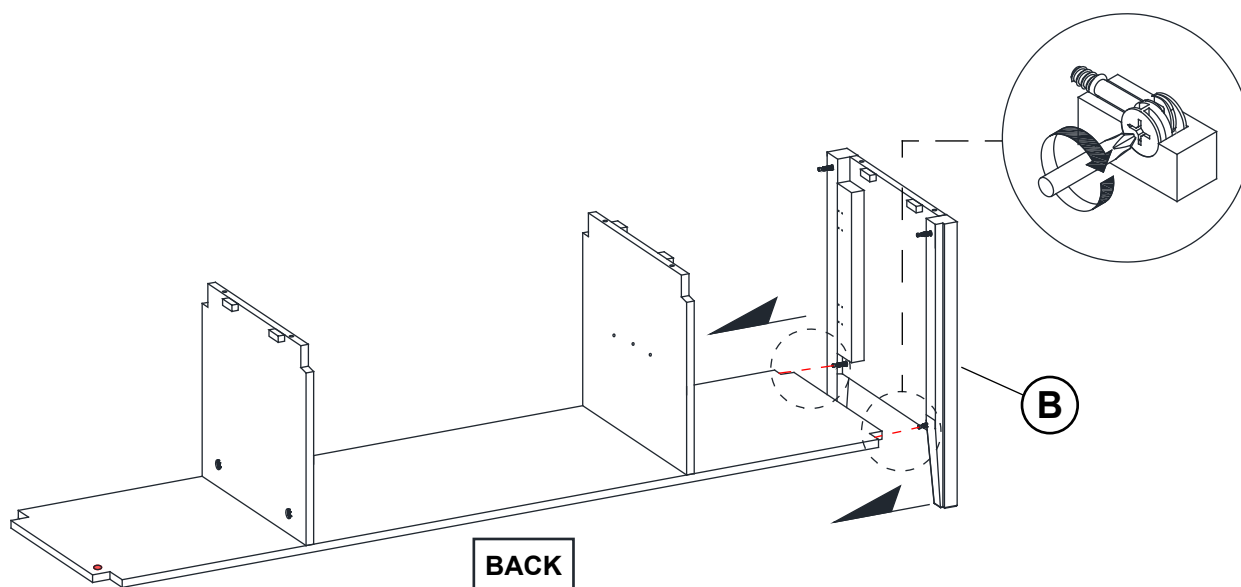
ITEM: **701672**

**ASSEMBLY INSTRUCTIONS**

**STEP 3**



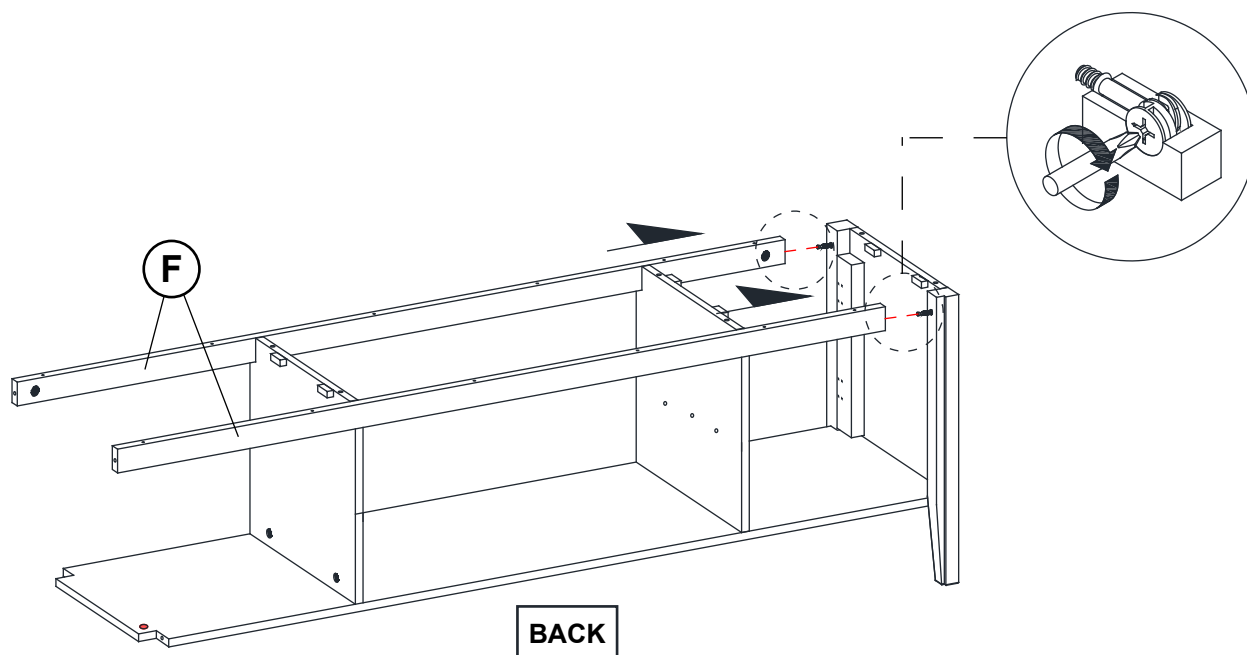
**STEP 4**



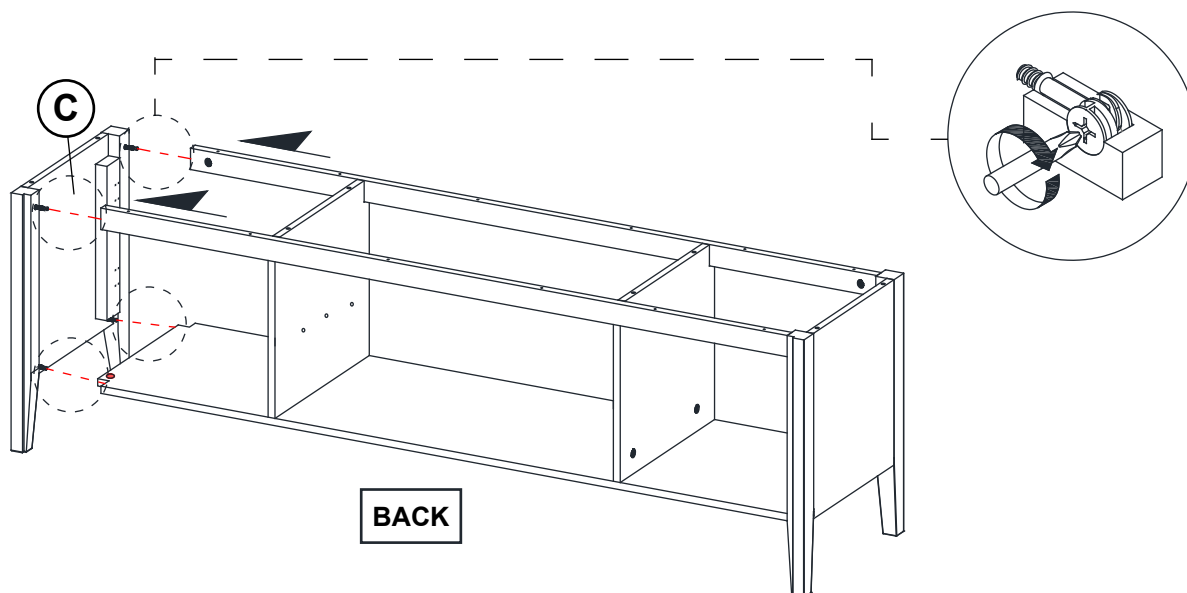
ITEM: **701672**

**ASSEMBLY INSTRUCTIONS**

**STEP 5**



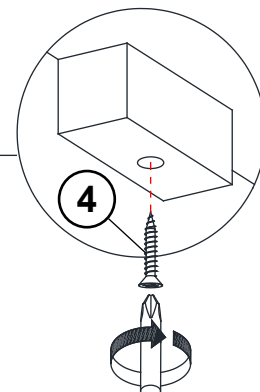
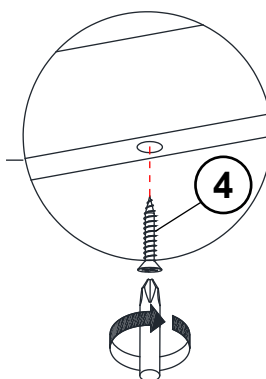
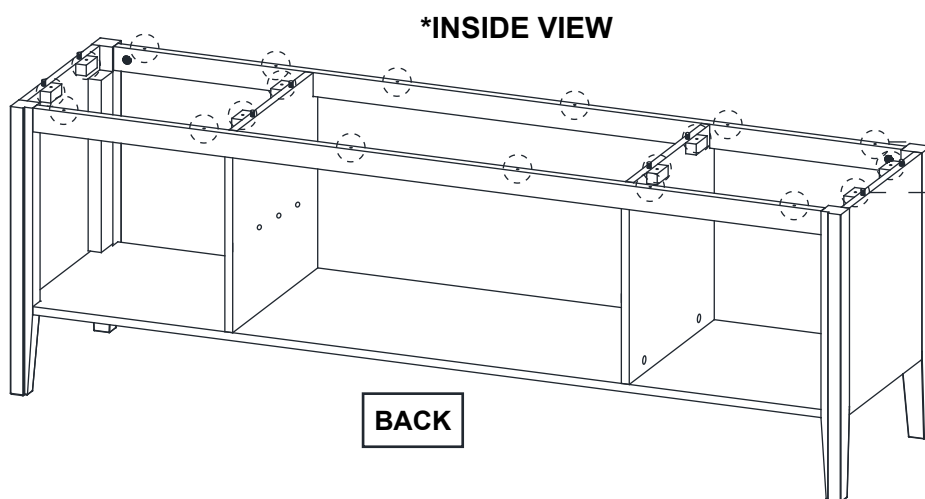
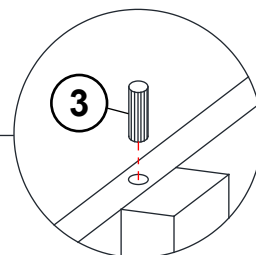
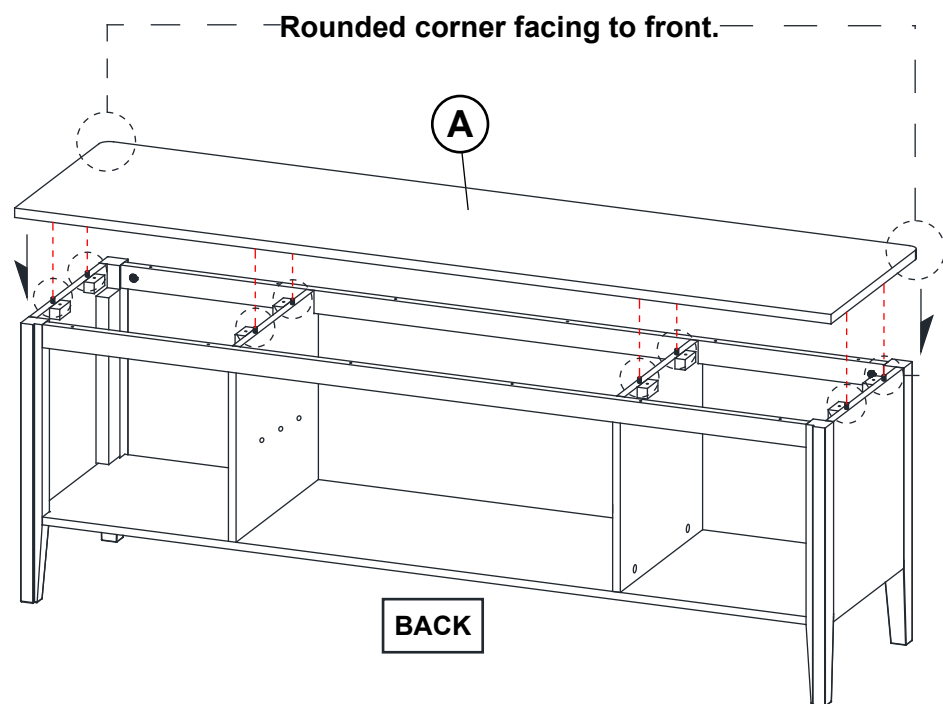
**STEP 6**



ITEM: **701672**

**ASSEMBLY INSTRUCTIONS**

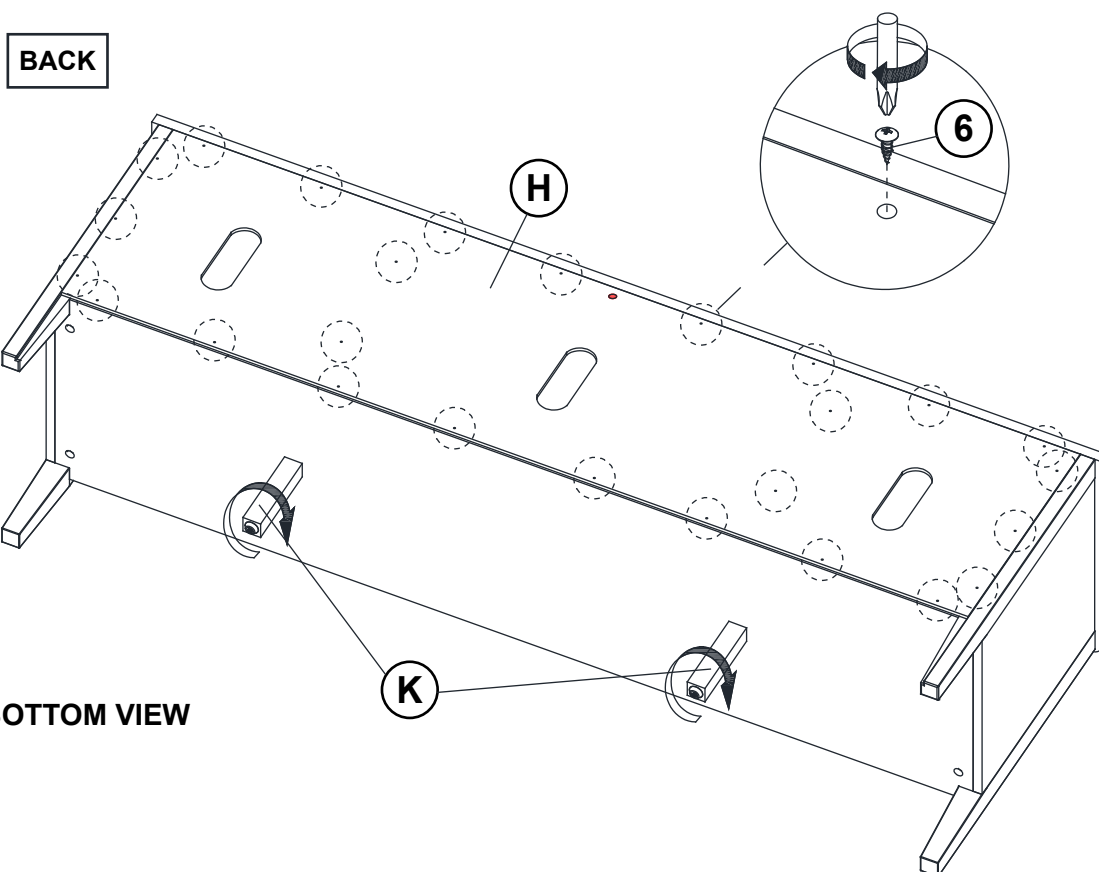
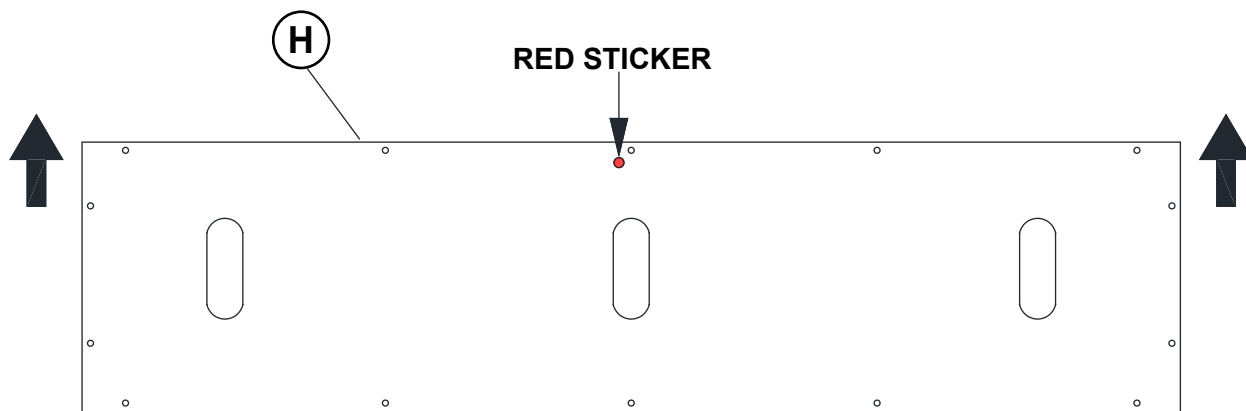
**STEP 7**



ITEM: **701672**

**ASSEMBLY INSTRUCTIONS**

**STEP 8**

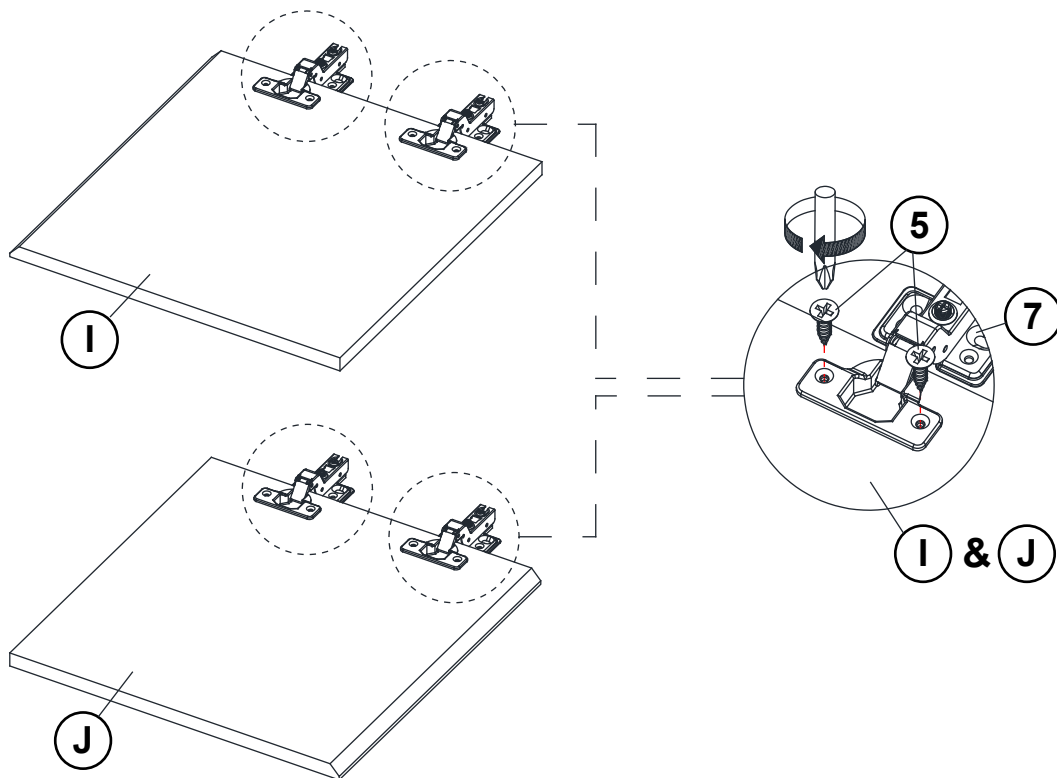


**\*BOTTOM VIEW**

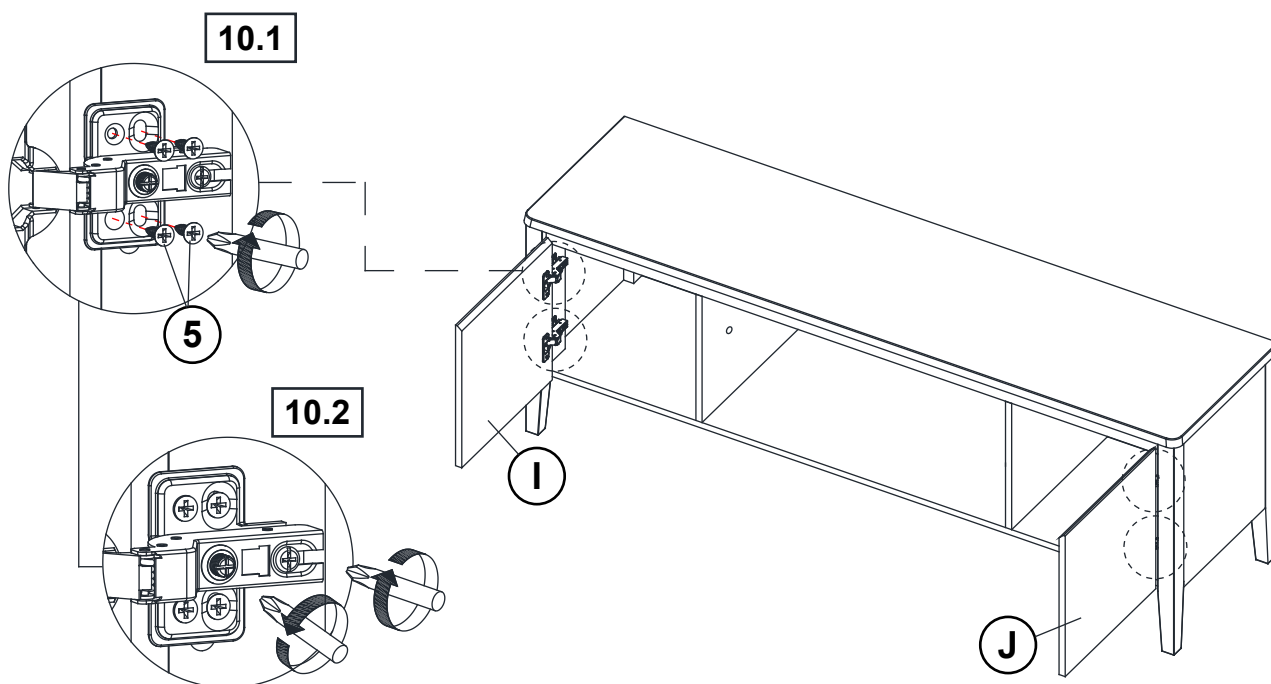
ITEM: **701672**

**ASSEMBLY INSTRUCTIONS**

**STEP 9**



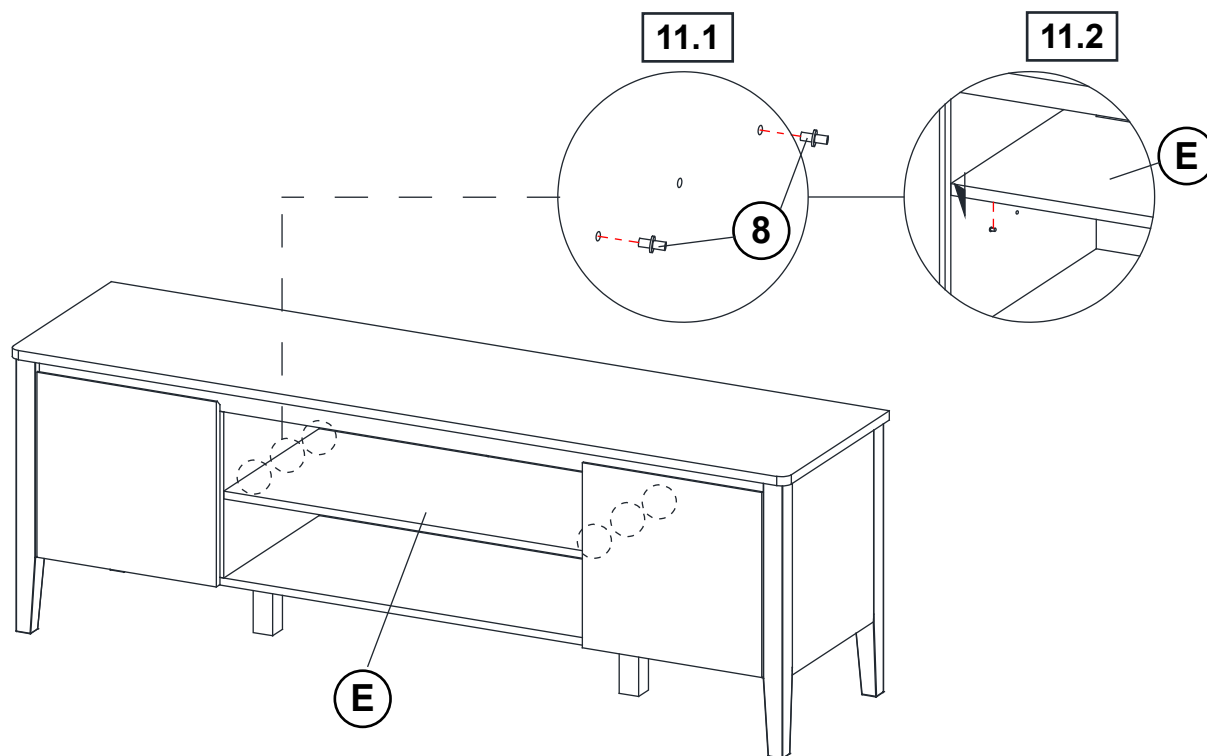
**STEP 10**



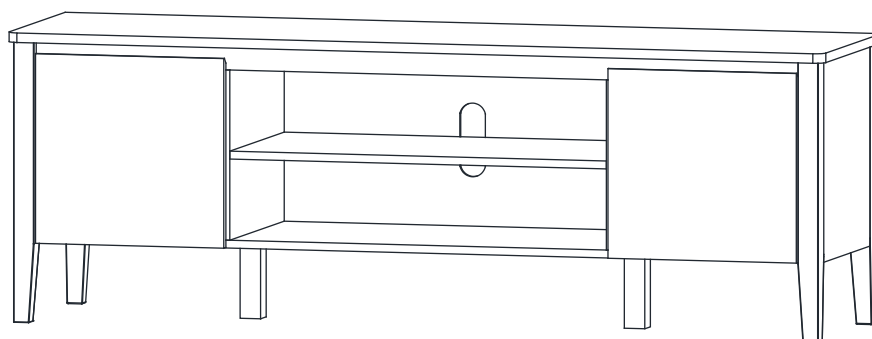
ITEM: **701672**

**ASSEMBLY INSTRUCTIONS**

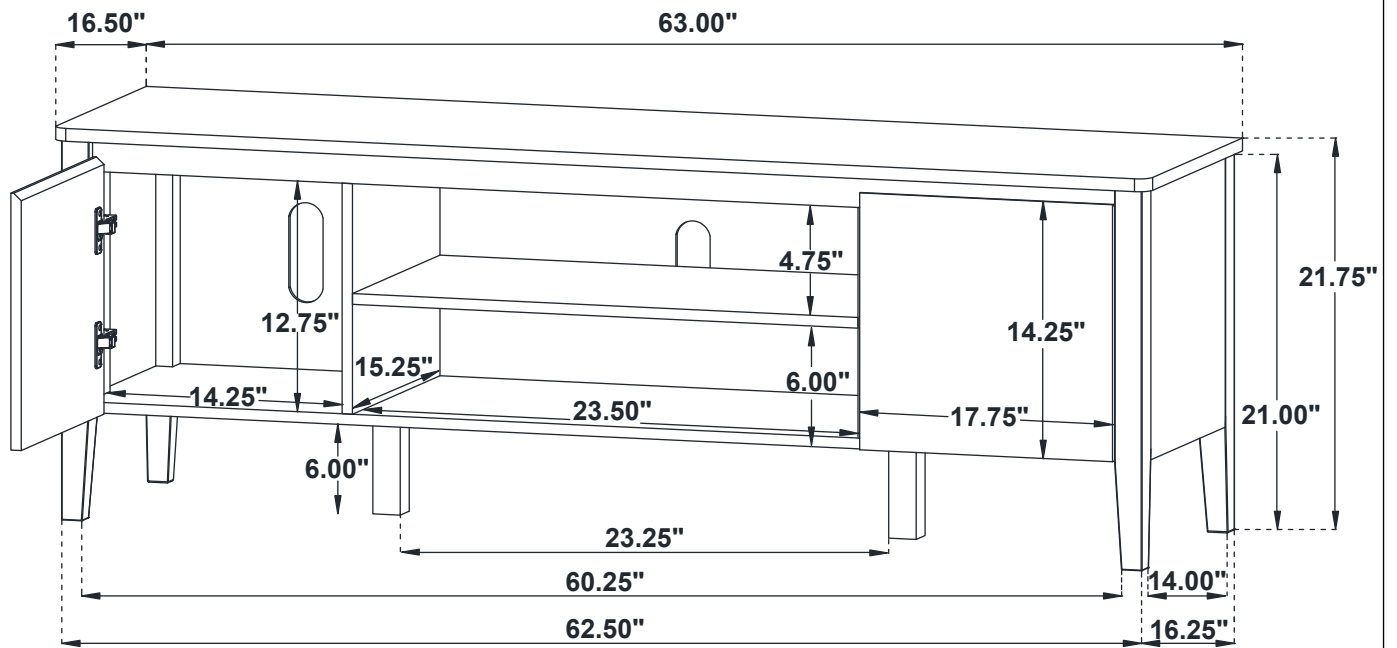
**STEP 11**



**STEP 12**  
**COMPLETE**



ITEM: 701672



Note: Dimension tolerance  $\pm 5\%$