

*ASSEMBLY INSTRUCTIONS*  
*COASTER FINE FURNITURE*



*Fine Furniture for every stage of life*

**306037BEIF(B1-B3)**  
**Full Bed**

# ITEM: 306037BEIF(B1-B3)



## ASSEMBLY INSTRUCTIONS

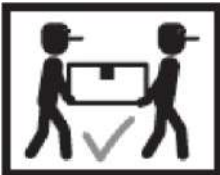
### ASSEMBLY TIPS:

1. Remove hardware from box and sort by size.
2. Please check to see that all hardware and parts are present prior to start of assembly.
3. Please follow attached instructions in the same sequence as numbered to assure fast & easy assembly.



### WARNING!

1. Don't attempt to repair or modify parts that are broken or defective. Please contact the store immediately.
2. This product is for home use only and not intended for commercial establishments.



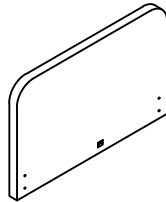
ASSEMBLY TIME

15 MINUTES

## PARTS IDENTIFICATION

### B1 (BOX 1)

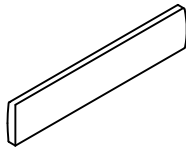
A HEABOARD



1PC

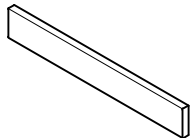
### B2 (BOX 2)

B FOOTBOARD



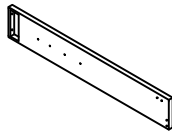
1PC

C LEFT BED RAIL



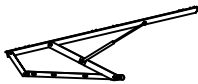
1PC

D RIGHT BED RAIL



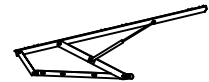
1PC

E LEFT GAS LIFT MECHANISM



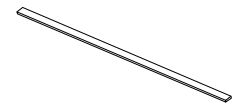
1PC

F RIGHT GAS LIFT MECHANISM



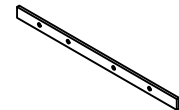
1PC

G CENTER SUPPORT RAIL



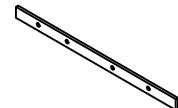
1PC

H LEFT SUPPORT RAIL



1PC

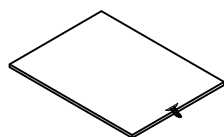
I RIGHT SUPPORT RAIL



1PC

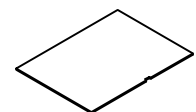
### B3 (BOX 3)

J TOP STORAGE PANEL



1PC

K BOTTOM STORAGE PANEL



2PCS

# ITEM: 306037BEIF(B1-B3)

## ASSEMBLY INSTRUCTIONS

### ASSEMBLY TIPS:

1. Remove hardware from box and sort by size.
2. Please check to see that all hardware and parts are present prior to start of assembly.
3. Please follow attached instructions in the same sequence as numbered to assure fast & easy assembly.








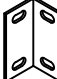

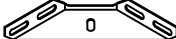



### WARNING!

1. Don't attempt to repair or modify parts that are broken or defective. Please contact the store immediately.
2. This product is for home use only and not intended for commercial establishments.

## HARDWARE IDENTIFICATION

### Z-B2 (BOX 2) - HARDWARE PACK IS LOCATED IN 306037BEIF(B2)

1	<b>THREADED BOLT</b> (Ø5/16" x 90mm - BLK)		<b>4PCS</b>	7	<b>HEX NUT</b> (Ø5/16" - BLK)		<b>4PCS</b>
2	<b>LONG BOLT</b> (Ø5/16" x 50mm - BLK)		<b>8PCS</b>	8	<b>WRENCH</b> (14 x 90mm - BLK)		<b>1PC</b>
3	<b>MEDIUM BOLT</b> (Ø5/16" x 35mm - BLK)		<b>16PCS</b>	9	<b>ALLEN WRENCH</b> (M5 x 75 x 32mm - BLK)		<b>1PC</b>
4	<b>SHORT BOLT</b> (Ø5/16" x 25mm - BLK)		<b>12PCS</b>	10	<b>CLEAT</b> (90 x 45 x 45 x 3mm - BLK)		<b>2PCS</b>
5	<b>FLAT WASHER</b> (Ø5/16" x 19mm - BLK)		<b>40PCS</b>	11	<b>BRACKET</b> (180 x 180 x 18mm - BLK)		<b>2PCS</b>
6	<b>LOCK WASHER</b> (Ø5/16" x 2mm - BLK)		<b>40PCS</b>				

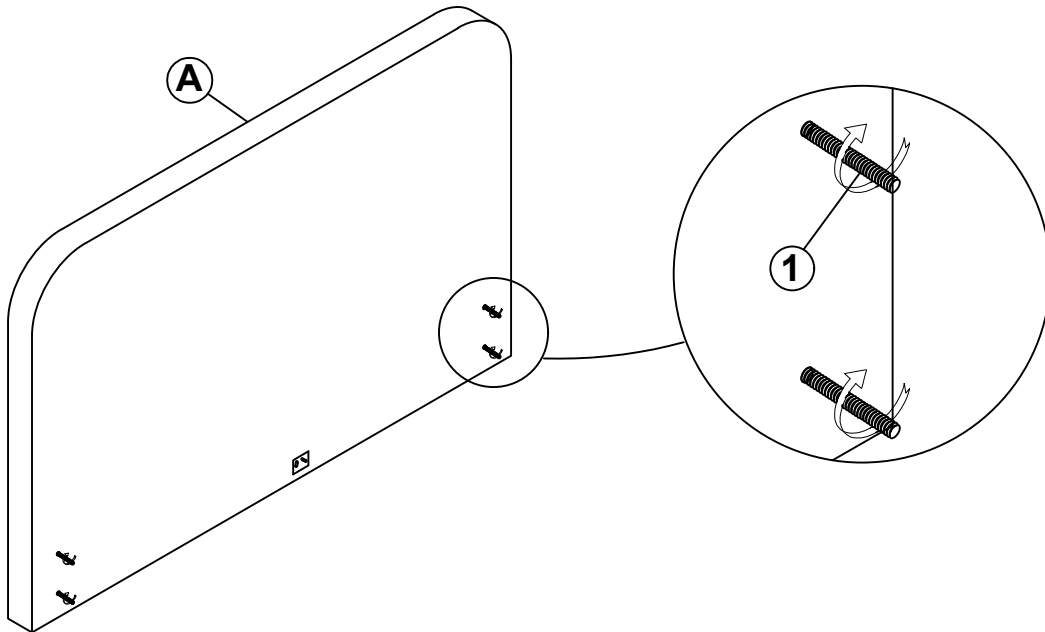
### NOTE:

Phillips head screw driver is required in the assembly process; however, manufacturer does not provide this item.

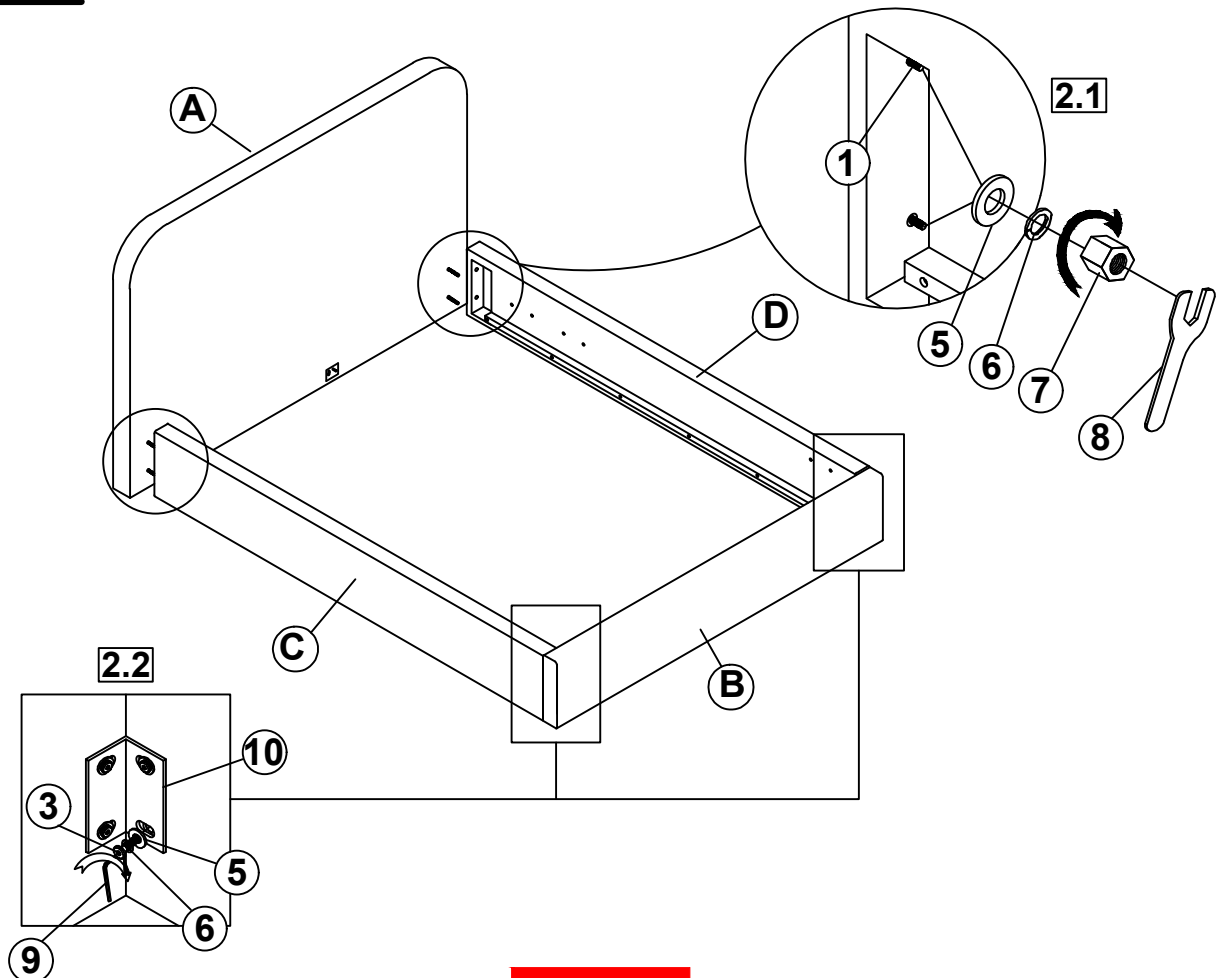
# ITEM: 306037BEIF(B1-B3)

## ASSEMBLY INSTRUCTIONS

### STEP 1



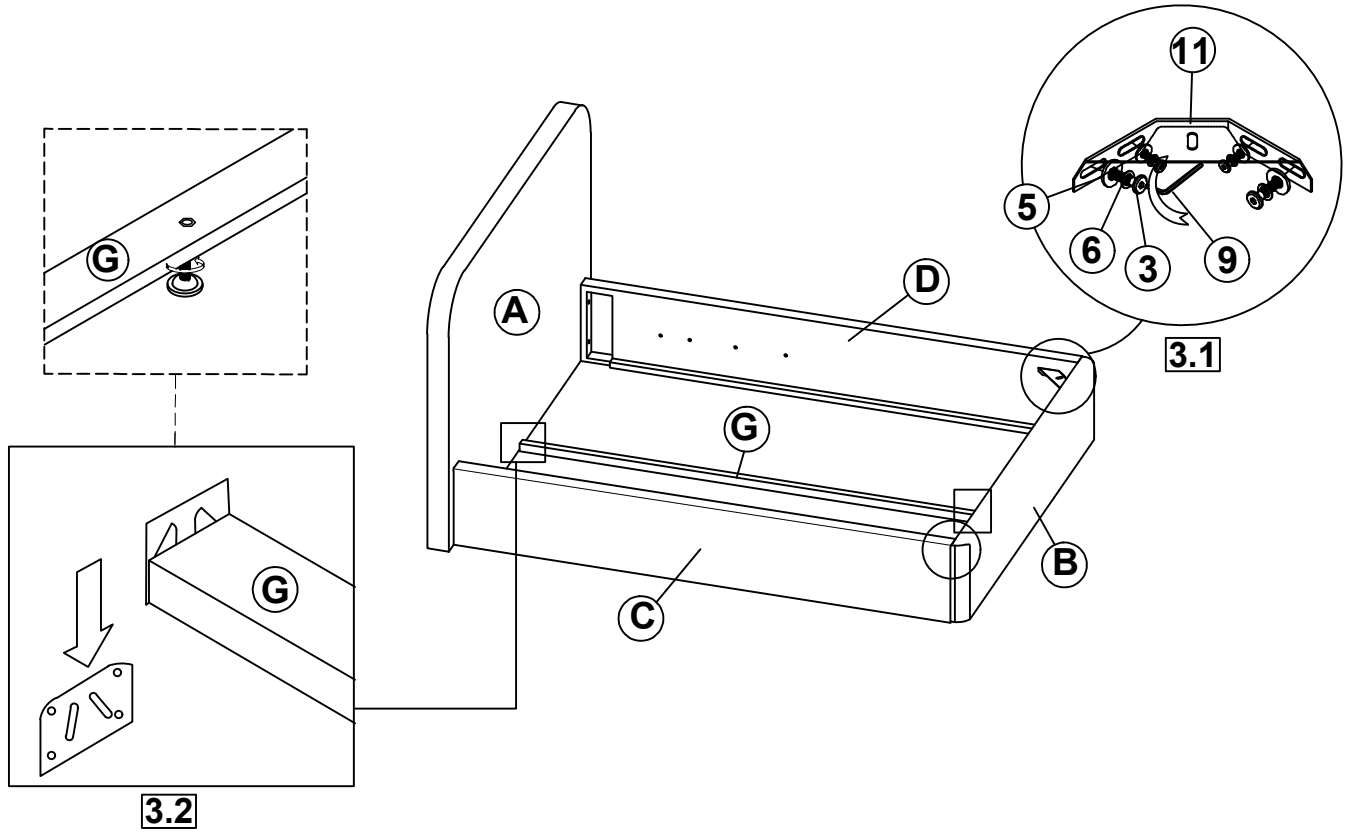
### STEP 2



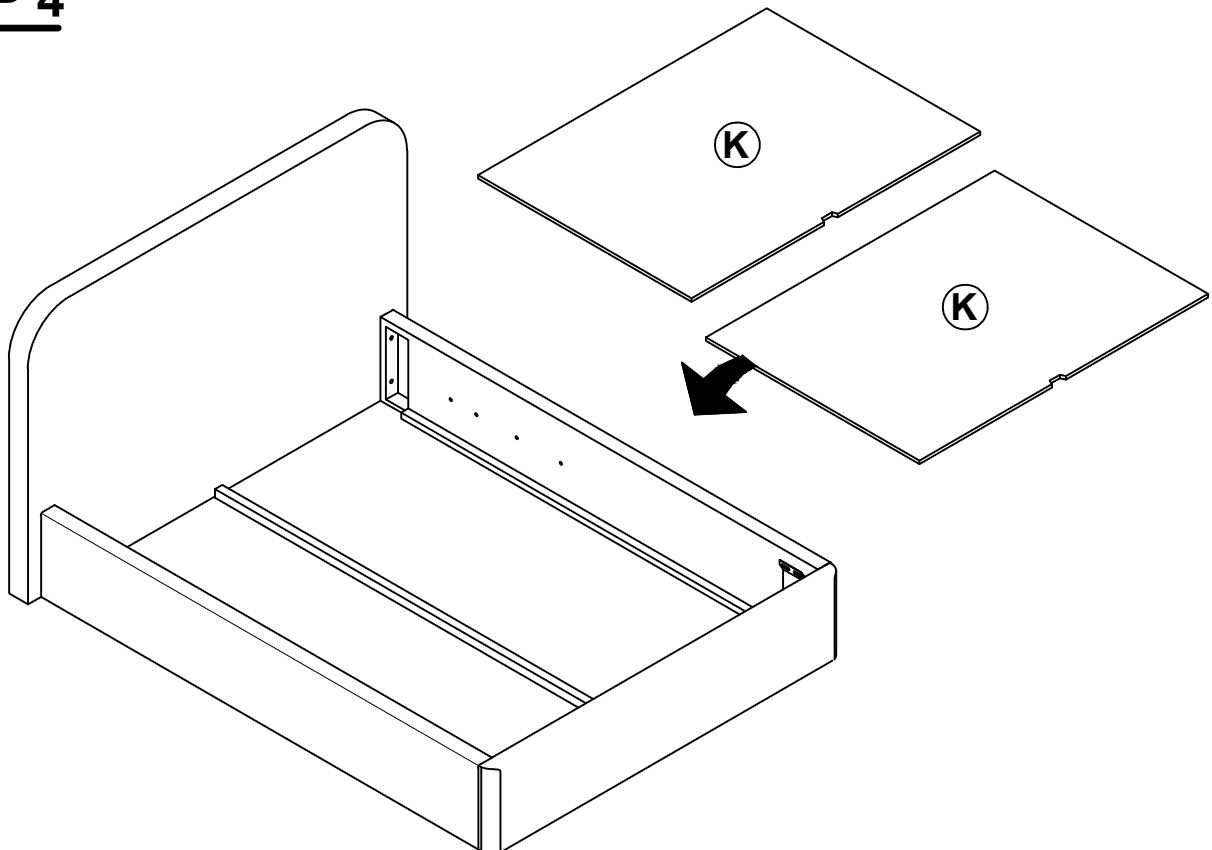
# ITEM: 306037BEIF(B1-B3)

## ASSEMBLY INSTRUCTIONS

### STEP 3



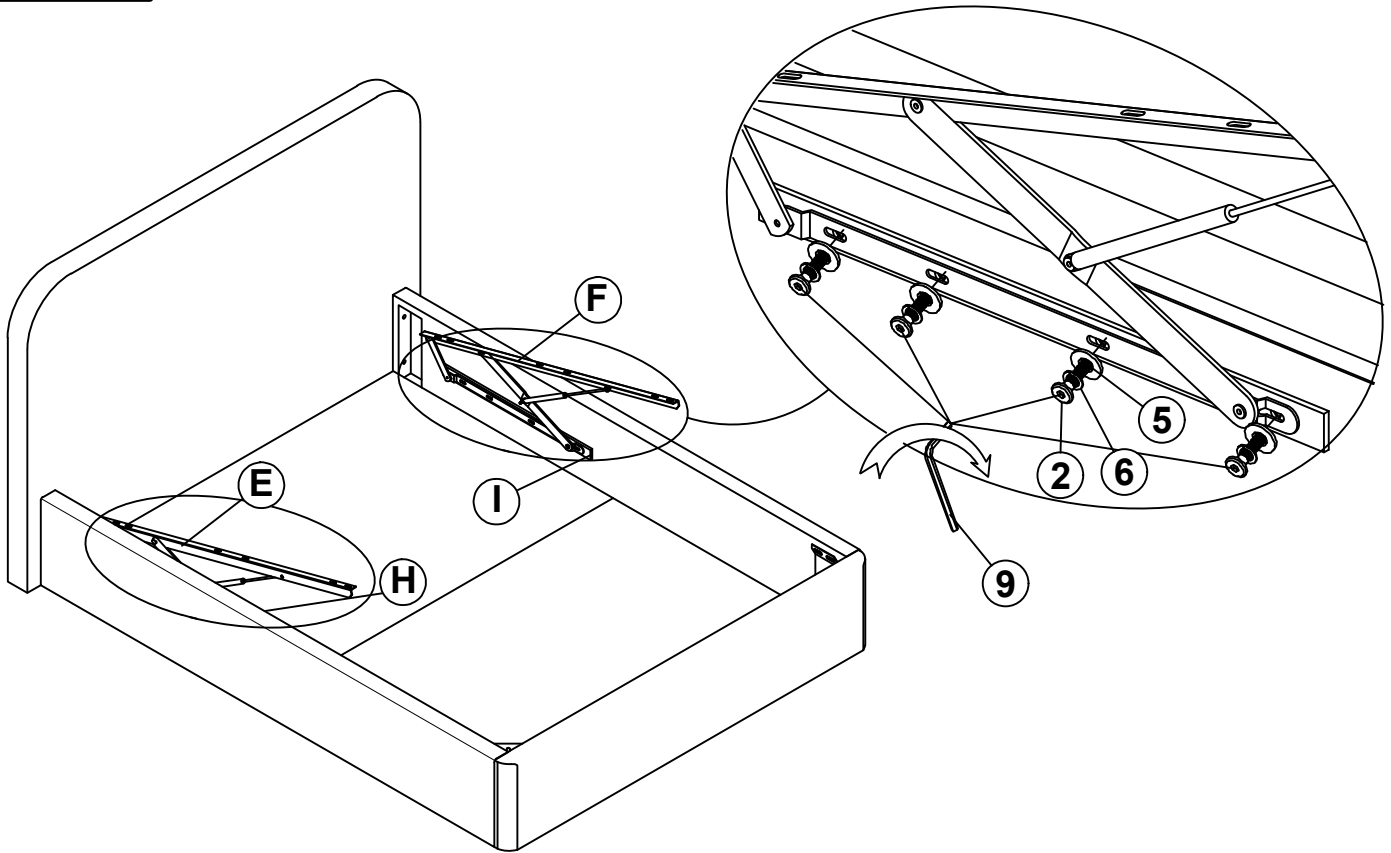
### STEP 4



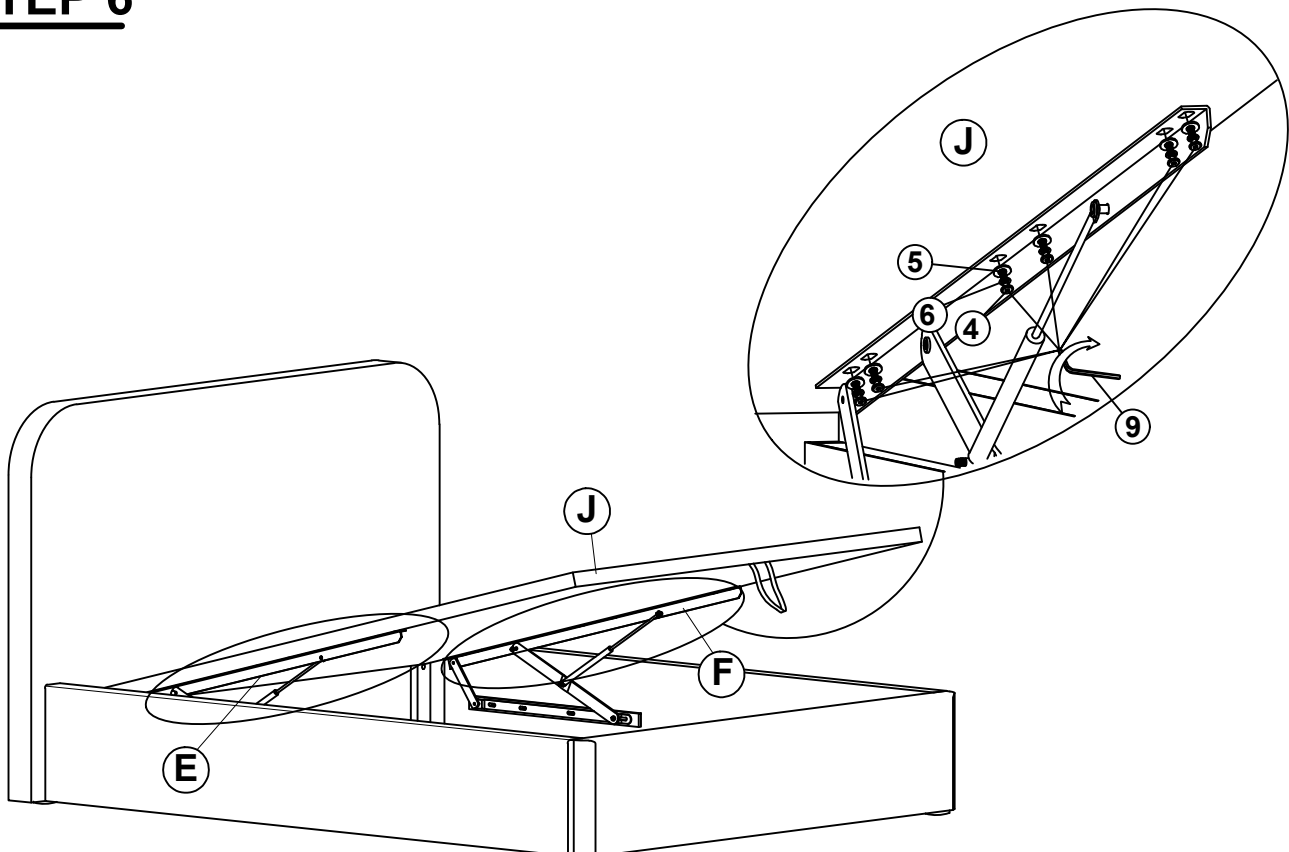
# ITEM: 306037BEIF(B1-B3)

## ASSEMBLY INSTRUCTIONS

### STEP 5



### STEP 6

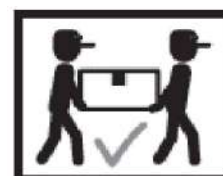
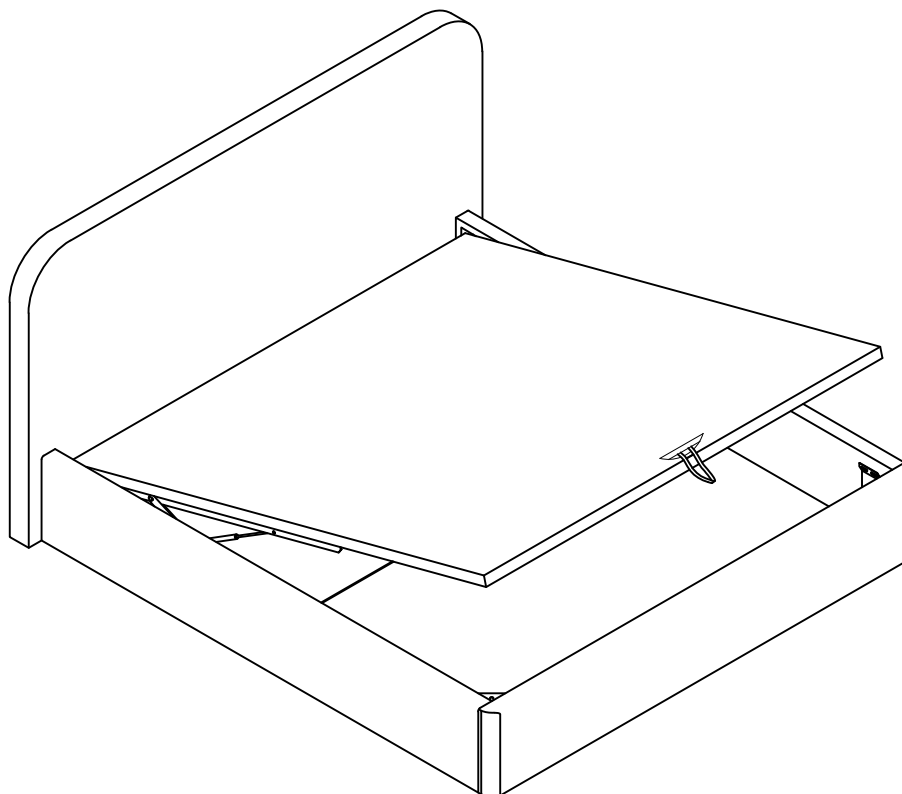


ITEM: **306037BEIF(B1-B3)**

ASSEMBLY INSTRUCTIONS

**STEP 7**

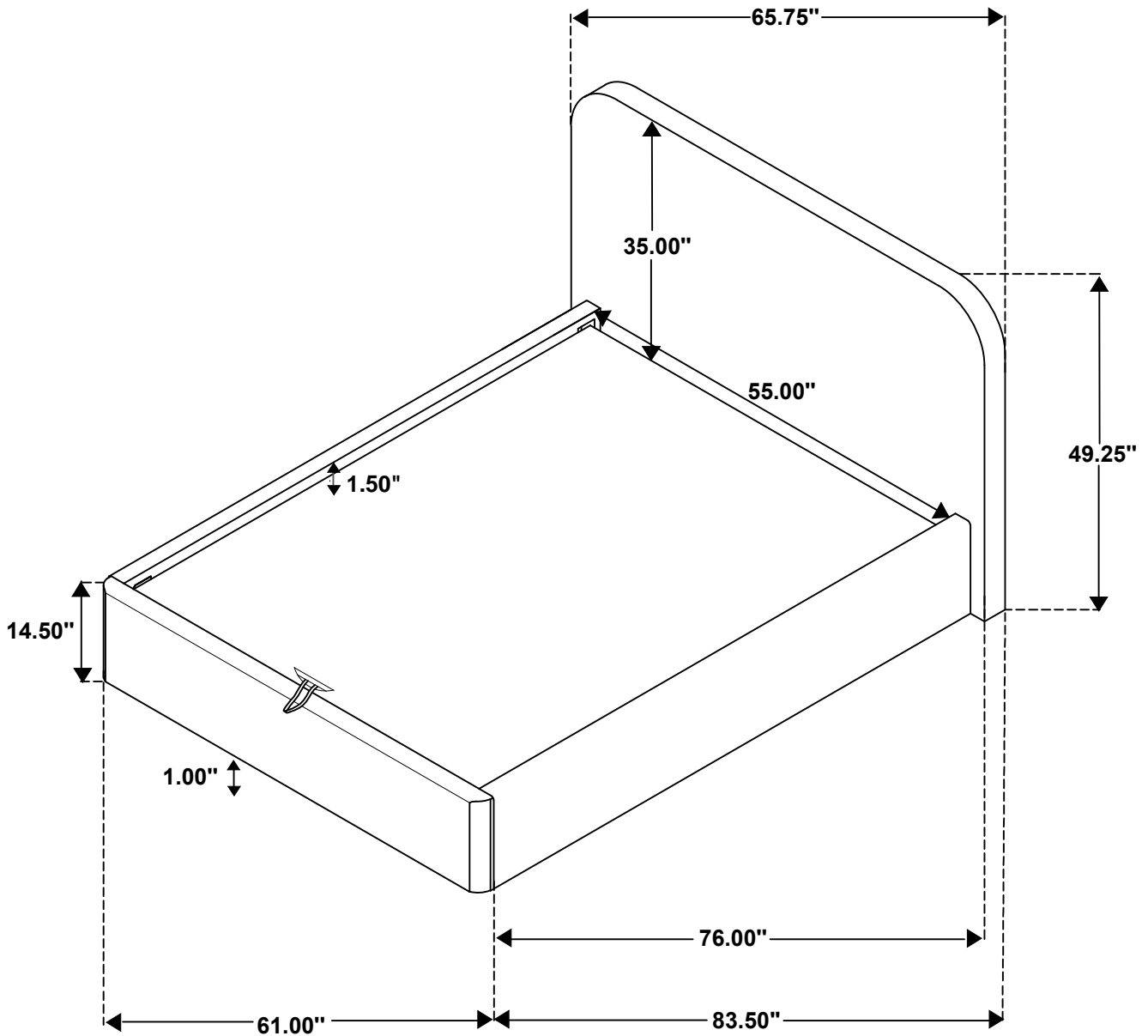
**COMPLETE**



ITEM: **306037BEIF(B1-B3)**



Inner Size: 55.00"W X 76.00"D  
Inner Storage Size: 55.00"W X 76.00"D



Note: Dimension tolerance  $\pm 5\%$