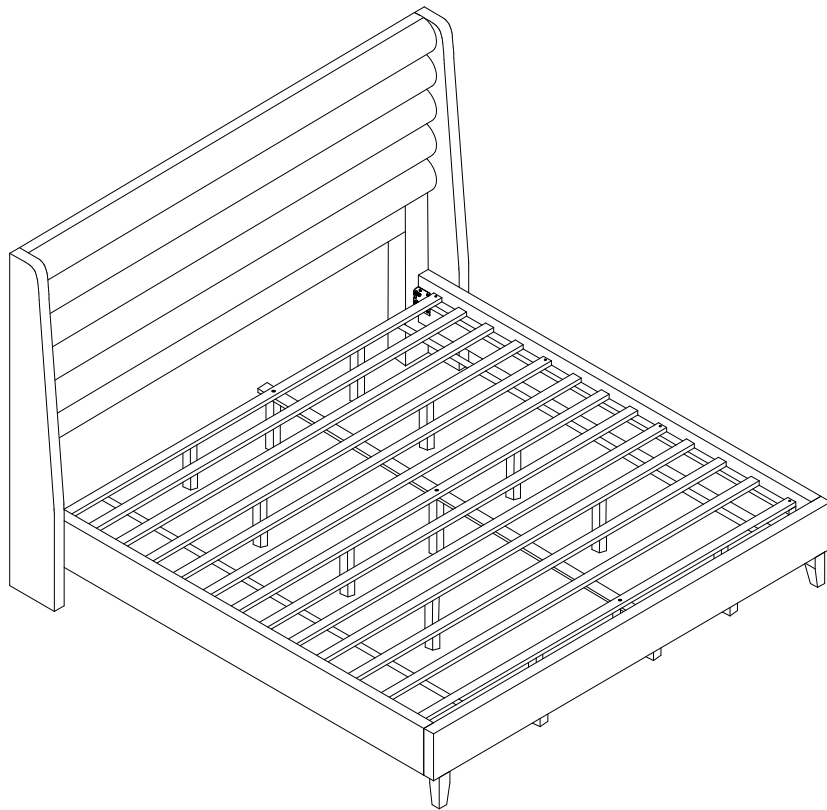




# ASSEMBLY INSTRUCTIONS COASTER FINE FURNITURE



*Fine Furniture for every stage of life*

## **315983KW(B1&B2)** **California King Bed**

# ITEM: 315983KW(B1&B2)

## ASSEMBLY INSTRUCTIONS

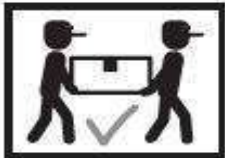
### ASSEMBLY TIPS:

1. Remove hardware from box and sort by size.
2. Please check to see that all hardware and parts are present prior to start of assembly.
3. Please follow attached instructions in the same sequence as numbered to assure fast & easy assembly.



### WARNING!

1. Don't attempt to repair or modify parts that are broken or defective. Please contact the store immediately.
2. This product is for home use only and not intended for commercial establishments.



ASSEMBLY TIME

30 MINUTES

## PARTS IDENTIFICATION

### B1 (BOX 1)

A	HEADBOARD PANEL		1PC	B	LEFT HEADBOARD SIDE RAIL		1PC
C	LEFT HEADBOARD LEG		1PC	D	RIGHT HEADBOARD SIDE RAIL		1PC
E	RIGHT HEADBOARD LEG		1PC	F	HEADBOARD SUPPORT BAR		1PC
H	FOOTBOARD PANEL		1PC	G	FOOTBOARD LEG		2PCS

### B2 (BOX 2)

I	CENTER RAIL		1PC	J	BED RAIL		2PCS
K	ROLL SLAT (13PCS)		1SET	L	CENTER RAIL SUPPORT WITH LEVELER		3PCS
M	BED SLAT SUPPORT WITH LEVELER		10PCS				

# ITEM: 315983KW(B1&B2)

## ASSEMBLY INSTRUCTIONS

### ASSEMBLY TIPS:

1. Remove hardware from box and sort by size.
2. Please check to see that all hardware and parts are present prior to start of assembly.
3. Please follow attached instructions in the same sequence as numbered to assure fast & easy assembly.










### WARNING!



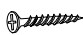


1. Don't attempt to repair or modify parts that are broken or defective. Please contact the store immediately.
2. This product is for home use only and not intended for commercial establishments.

## HARDWARE IDENTIFICATION

### Z-B1 (BOX 1) - HARDWARE PACK IS LOCATED IN 315983KW(B1)

1	<b>LONG THREADED BOLT</b> (Ø5/16" x 110mm - RBW)		4PCS	2	<b>SHORT THREADED BOLT</b> (Ø5/16" x 50mm - RBW)		12PCS
3	<b>BIG FLAT WASHER</b> (Ø5/16" x 22mm - RBW)		14PCS	4	<b>LOCK WASHER</b> (Ø5/16" - RBW)		16PCS
5	<b>ALLEN WRENCH</b> (5mm x 100mm - RBW)		1PC	6	<b>FLAT HEAD SCREW</b> (M4 x 20mm - BLK)		2PCS
7	<b>SMALL FLAT WASHER</b> (Ø5/16" x 19mm - RBW)		2PCS				

### Z-B2 (BOX 2) - HARDWARE PACK IS LOCATED IN 315983KW(B2)

8	<b>THREADED BOLT</b> (Ø5/16" x 35mm - RBW)		8PCS	9	<b>FLAT WASHER</b> (Ø5/16" x 19mm - RBW)		8PCS
10	<b>FLAT HEAD SCREW</b> (M4 x 35mm - RBW)		8PCS	11	<b>LOCK WASHER</b> (Ø5/16" - RBW)		8PCS
12	<b>ALLEN WRENCH</b> (5mm x 100mm - RBW)		1PC				

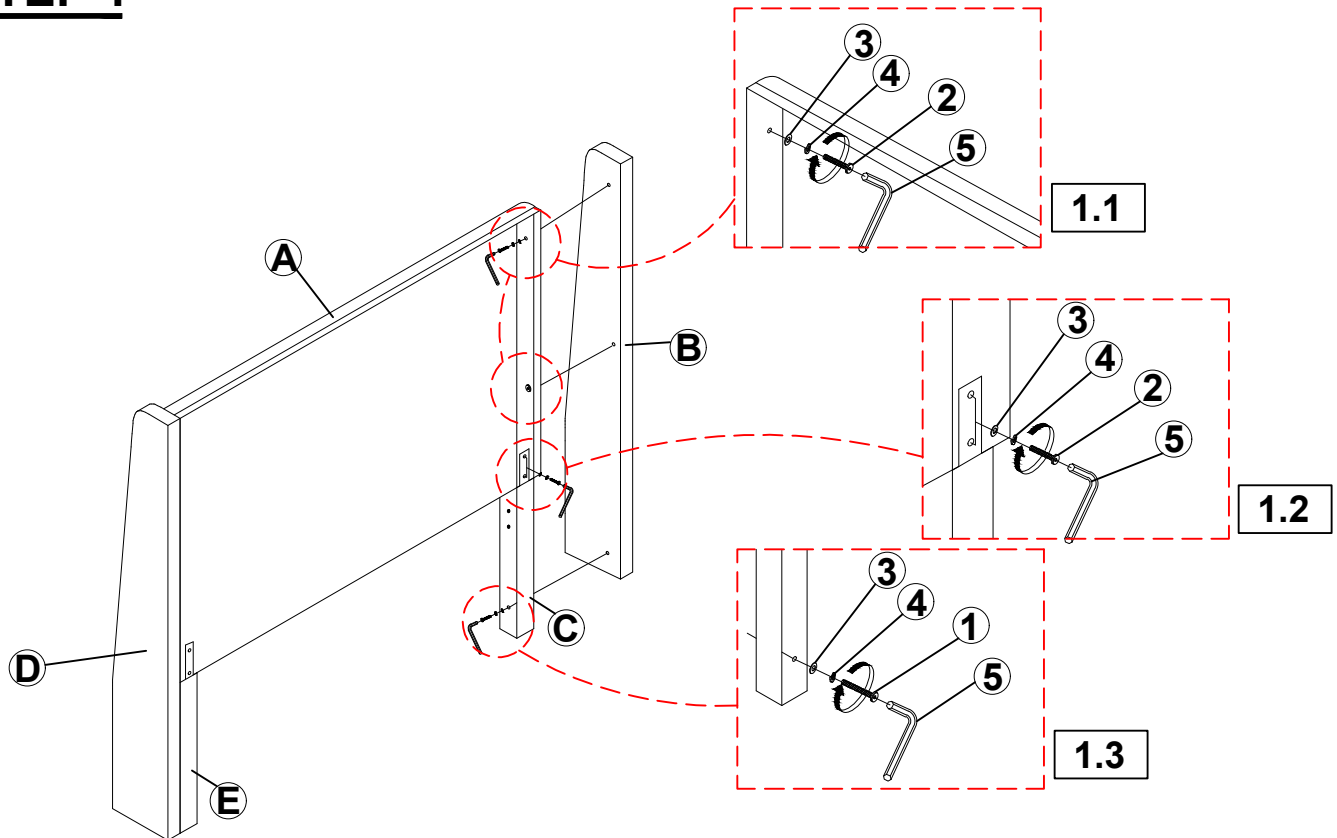
### NOTE:

Phillips head screw driver is required in the assembly process; however, manufacturer does not provide this item.

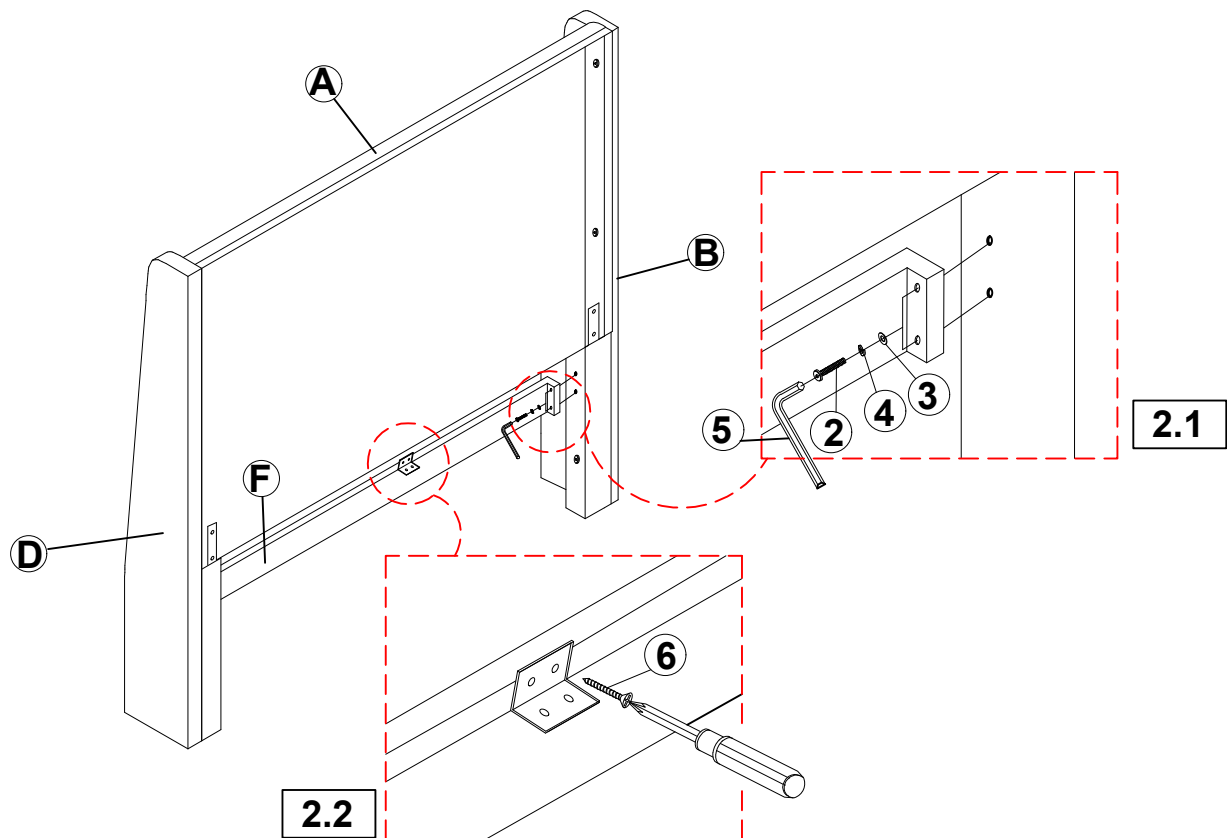
# ITEM: 315983KW(B1&B2)

## ASSEMBLY INSTRUCTIONS

### STEP 1



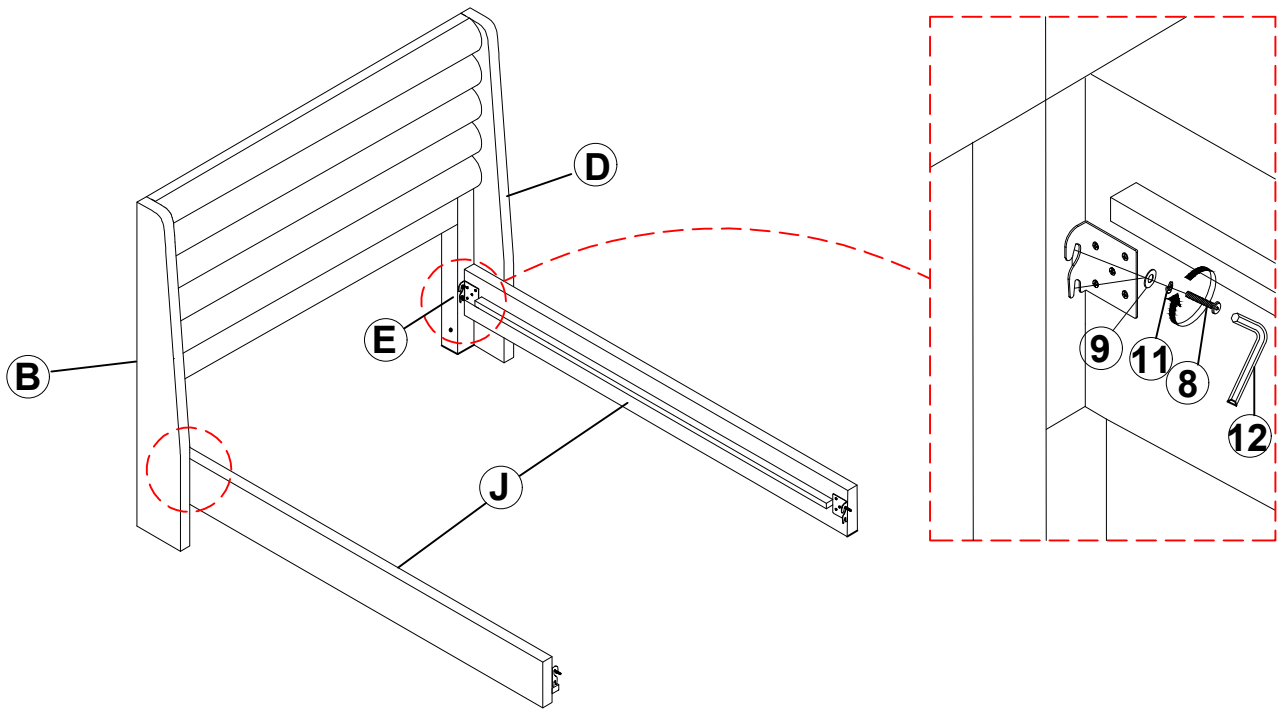
### STEP 2



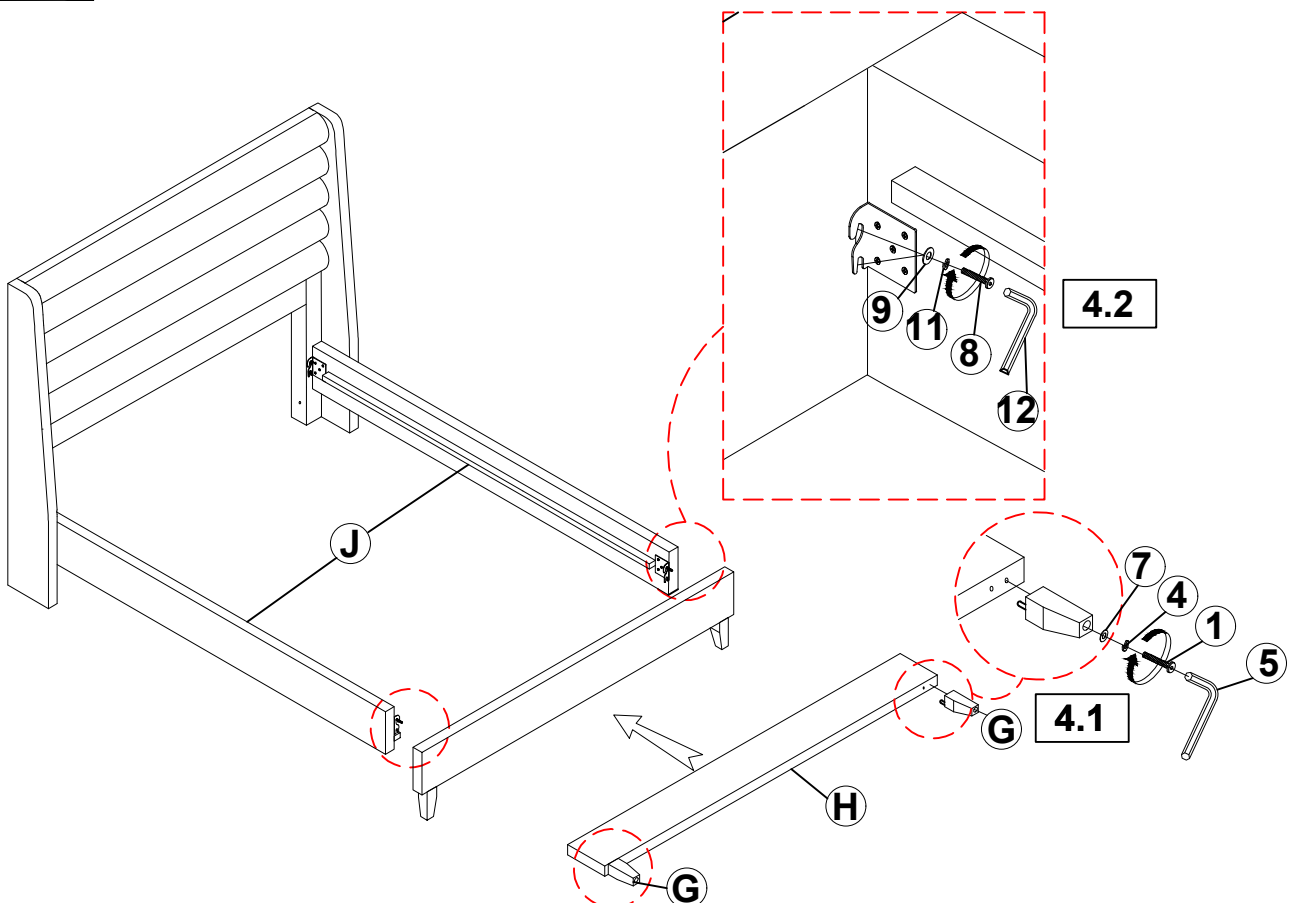
# ITEM: 315983KW(B1&B2)

## ASSEMBLY INSTRUCTIONS

### STEP 3



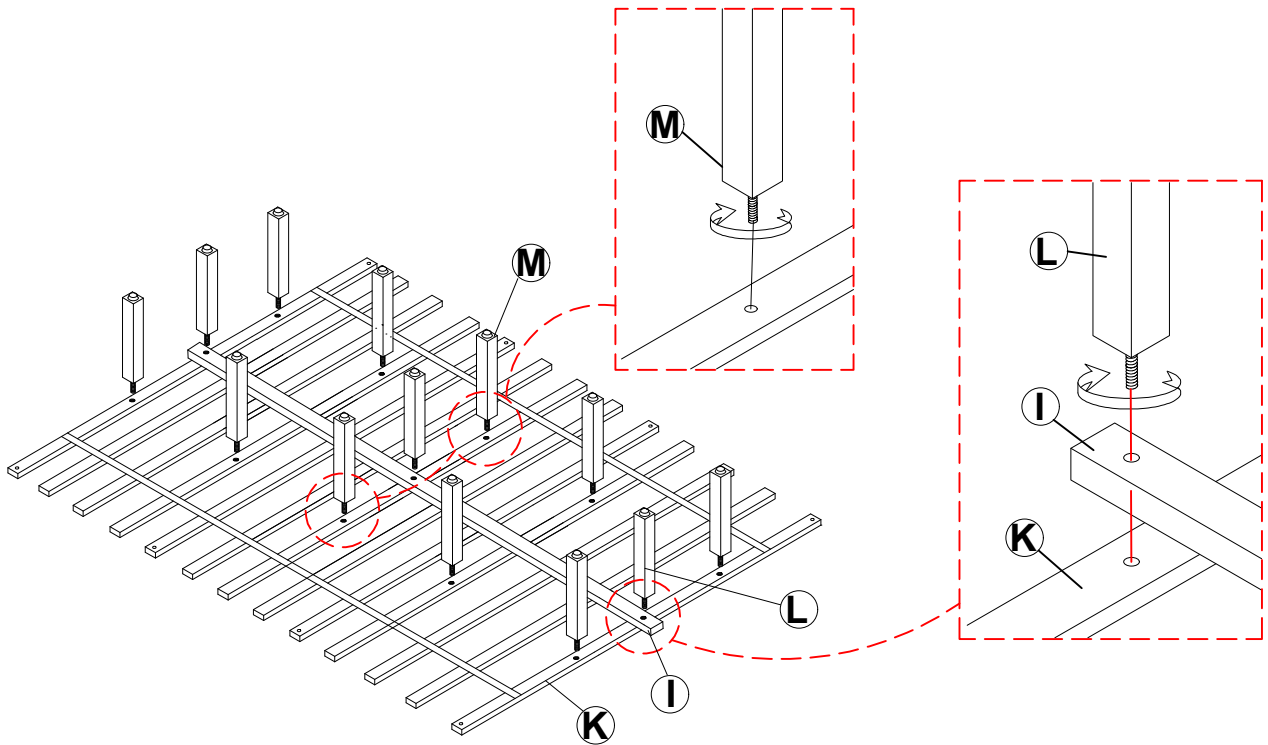
### STEP 4



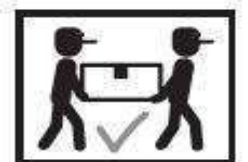
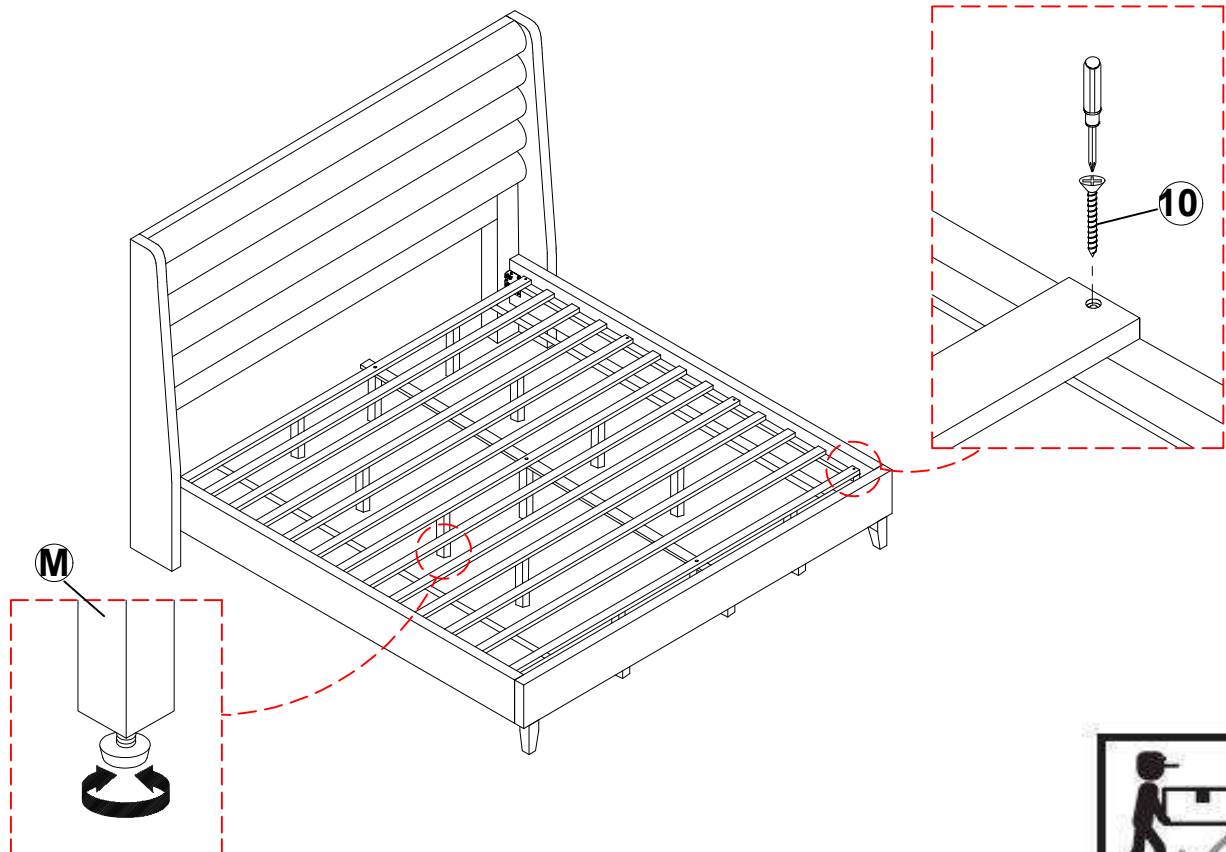
ITEM: **315983KW(B1&B2)**

**ASSEMBLY INSTRUCTIONS**

**STEP 5**

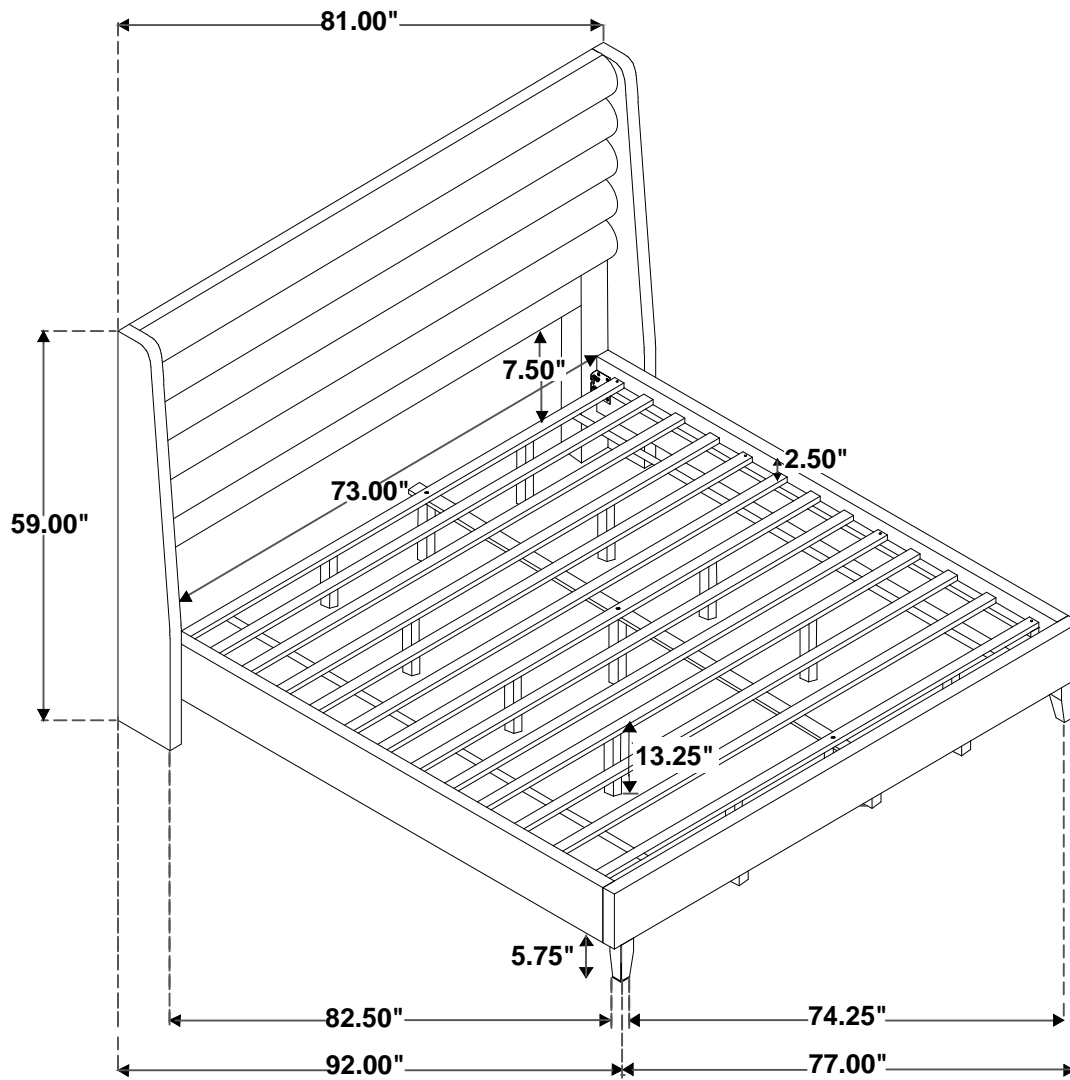


**STEP 6**  
**COMPLETE**



ITEM: **315983KW(B1&B2)**

Inner size: 73.00"W x 85.00"D



Note: Dimension tolerance  $\pm 5\%$