



ASSEMBLY INSTRUCTIONS
COASTER FINE FURNITURE



Fine Furniture for every stage of life

905739
Swivel Chair

REVISION 0 : 07/11/2021
REVISION 1 : 07/20/2022
REVISION 2 : 08/28/2025
REVISION 3 : 03/21/2026

ITEM: **905739**



ASSEMBLY INSTRUCTIONS

ASSEMBLY TIPS:

1. Remove hardware from box and sort by size.
2. Please check to see that all hardware and parts are present prior to start of assembly.
3. Please follow attached instructions in the same sequence as numbered to assure fast & easy assembly.



WARNING!

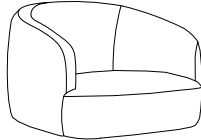



1. Don't attempt to repair or modify parts that are broken or defective. Please contact the store immediately.
2. This product is for home use only and not intended for commercial establishments.







ASSEMBLY TIME

15 MINUTES

PARTS IDENTIFICATION

AV	SEAT AND BACK		1PC
BV	SEAT PLATE		1PC
CV	BASE		1PC
DV	GAS LIFT		1PC

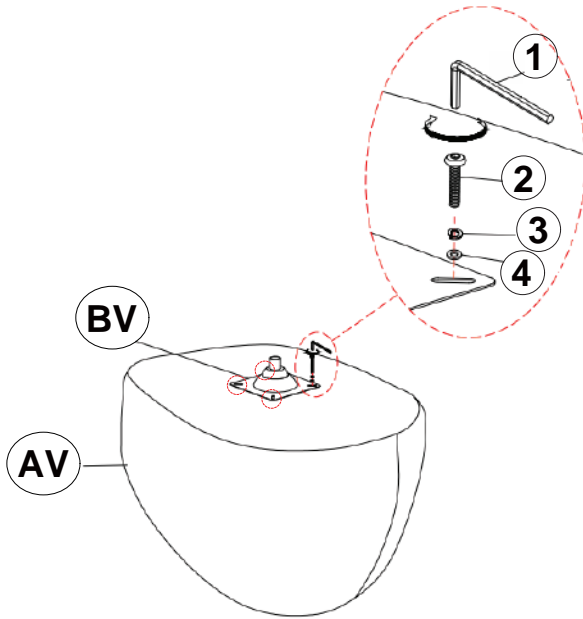
HARDWARE IDENTIFICATION

1	ALLEN WRENCH (M4 x 59mm - BLK)		1PC
2	BOLT (1/4" x 25mm - BLK)		4PCS
3	LOCK WASHER (1/4" x 16mm - B@)		4PCS
4	FLAT WASHER (1/4" x 22mm - B@)		4PCS

ITEM: **905739**

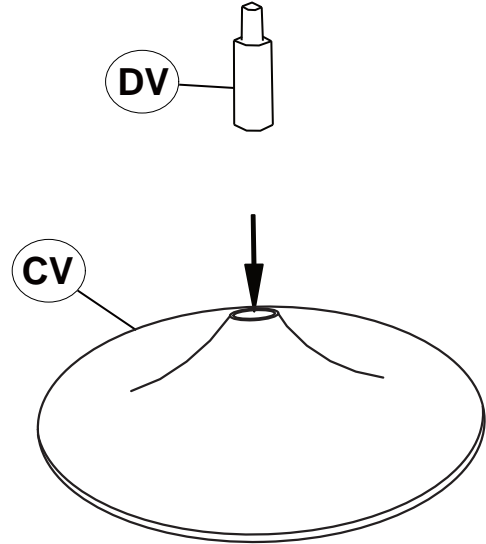
ASSEMBLY INSTRUCTIONS

STEP 1

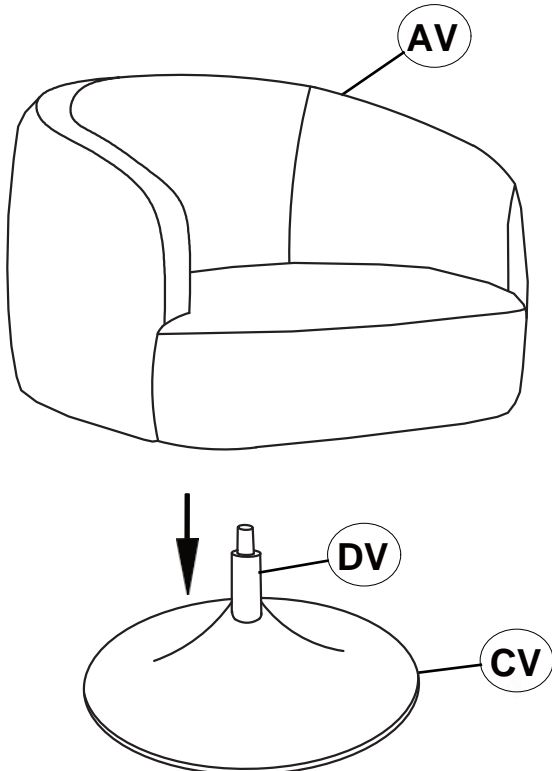


* **BOTTOM VIEW**

STEP 2



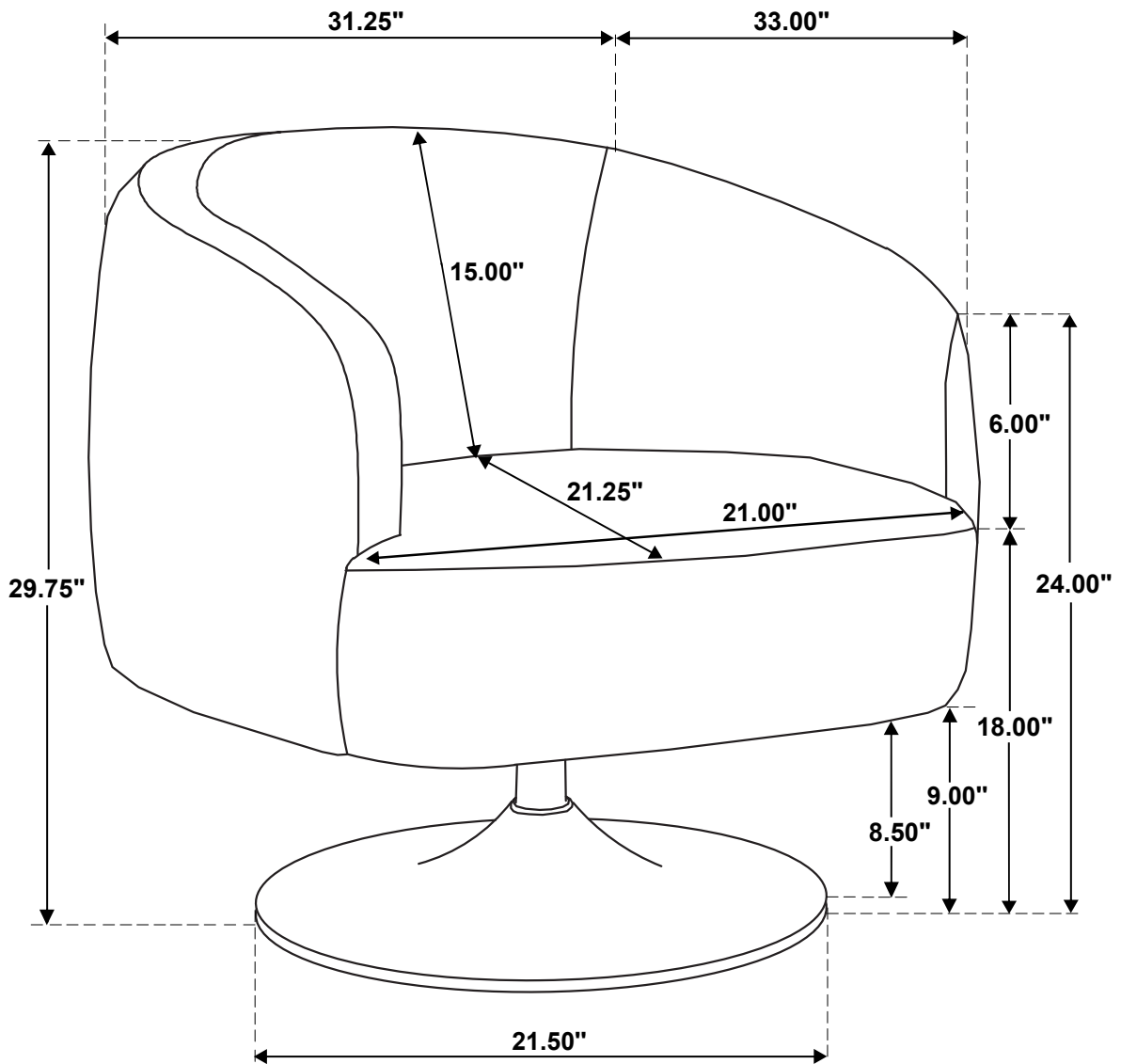
STEP 3



STEP 4
COMPLETE



ITEM: 905739



Note: Dimension tolerance $\pm 5\%$