



*ASSEMBLY INSTRUCTIONS
COASTER FINE FURNITURE*



Fine Furniture for every stage of life

610522P
POWER RECLINING LOVESEAT

ITEM : 610522P
ASSEMBLY INSTRUCTIONS



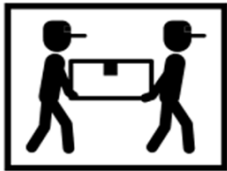
ASSEMBLY TIPS:

- 1.Remove hardware from box and sort by size.
- 2.Please check to see that all hardware and parts are present prior to start of assembly.
- 3.Please follow attached instruction in the same sequence as numbered to assure fast & easy assembly.



WARNING!

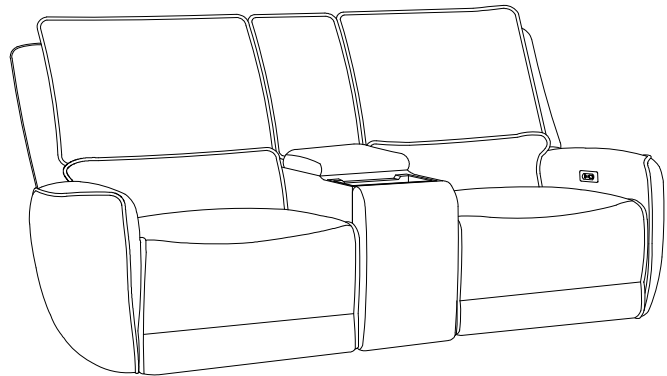
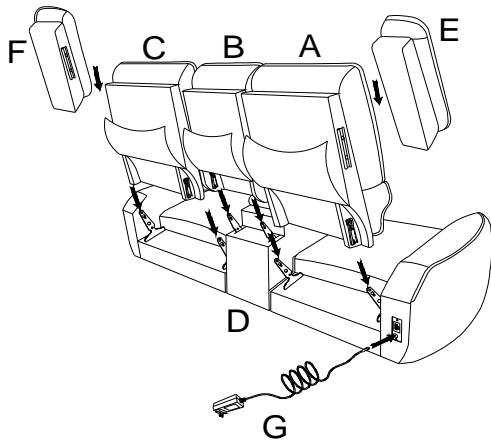
- 1.Don't attempt to repair or modify parts that are broken or defective. Please contact the store immediately.
- 2.This product is for home use only and not intended for commercial establishment.










ASSEMBLY TIME

10 MINUTES

PARTS IDENTIFICATION

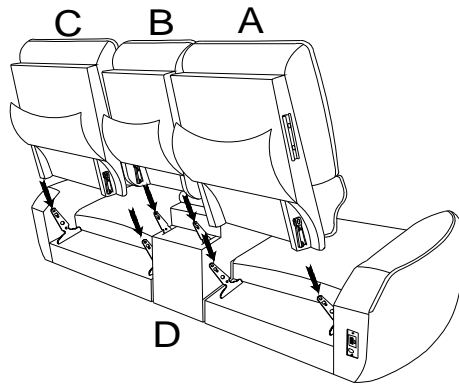


PARTS LIST

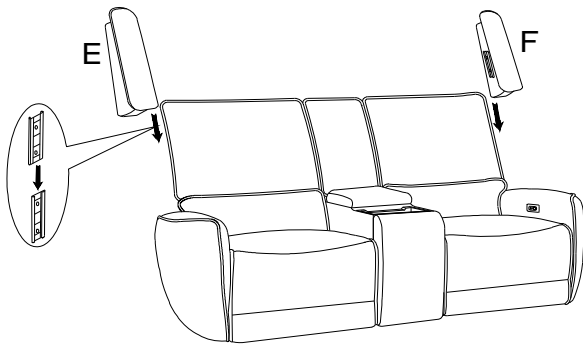
A		LEFT BACK CUSHION	1PC
B		MIDDLE BACK CUSHION	1PC
C		RIGHT BACK CUSHION	1PC
D		BASE	1PC
E		LEFT EAR	1PC
F		RIGHT EAR	1PC
G		PLUG-IN POWER SUPPLY	1PC

ASSEMBLY INSTRUCTIONS

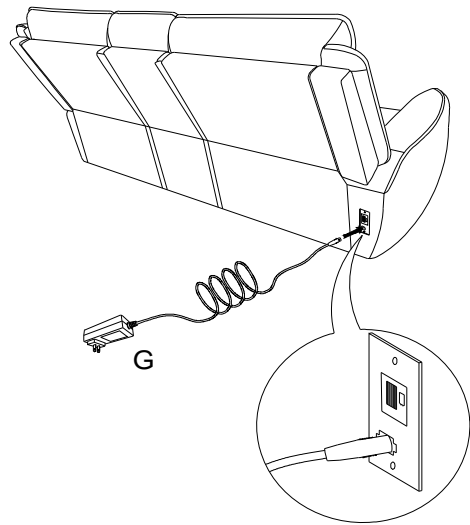
STEP 1



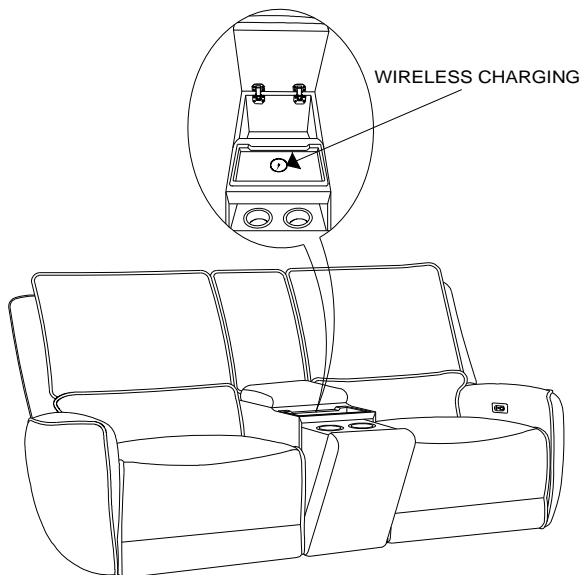
STEP 2



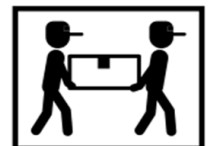
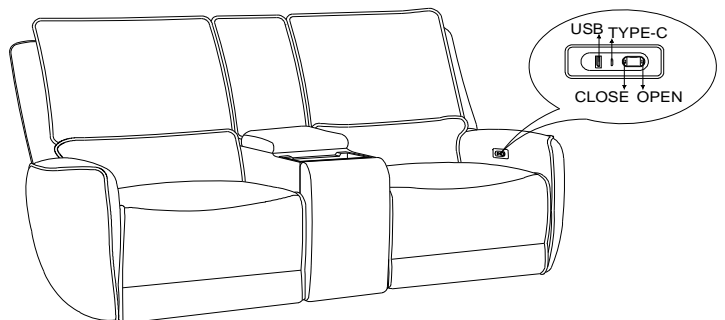
STEP 3



STEP 4



STEP 5



ITEM : 610522P

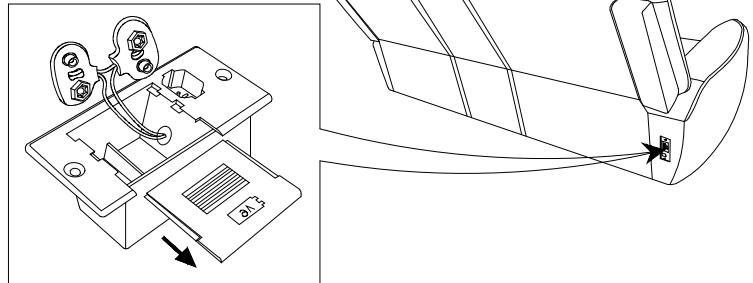


ASSEMBLY INSTRUCTIONS

Please follow below steps to install the 9V batteries when there is no power to operate the motion sofa.(Any model of 9V battery is applicable)

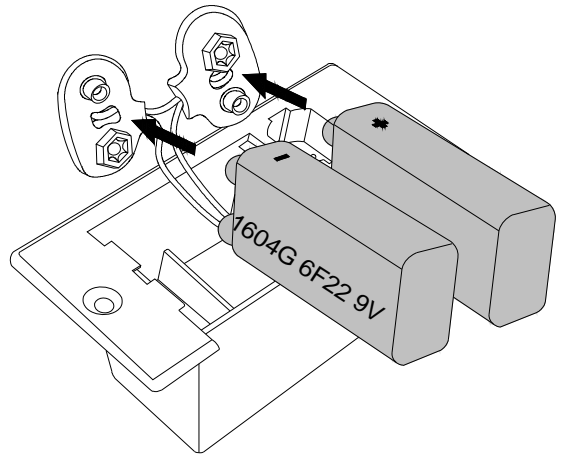
STEP 1

Open the marked battery door on the backup battery box.



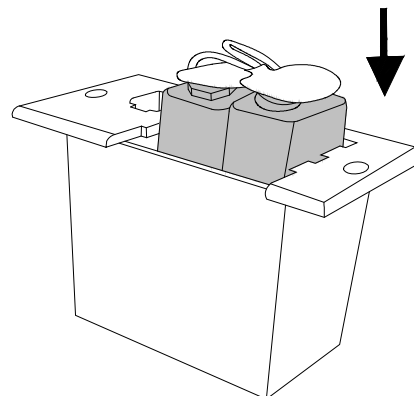
STEP 2

Install two 9V batteries in the backup battery box.(batteries are not included)



STEP 3

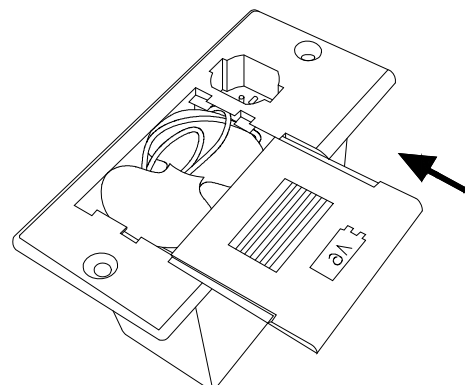
Push the batteries in.



STEP 4

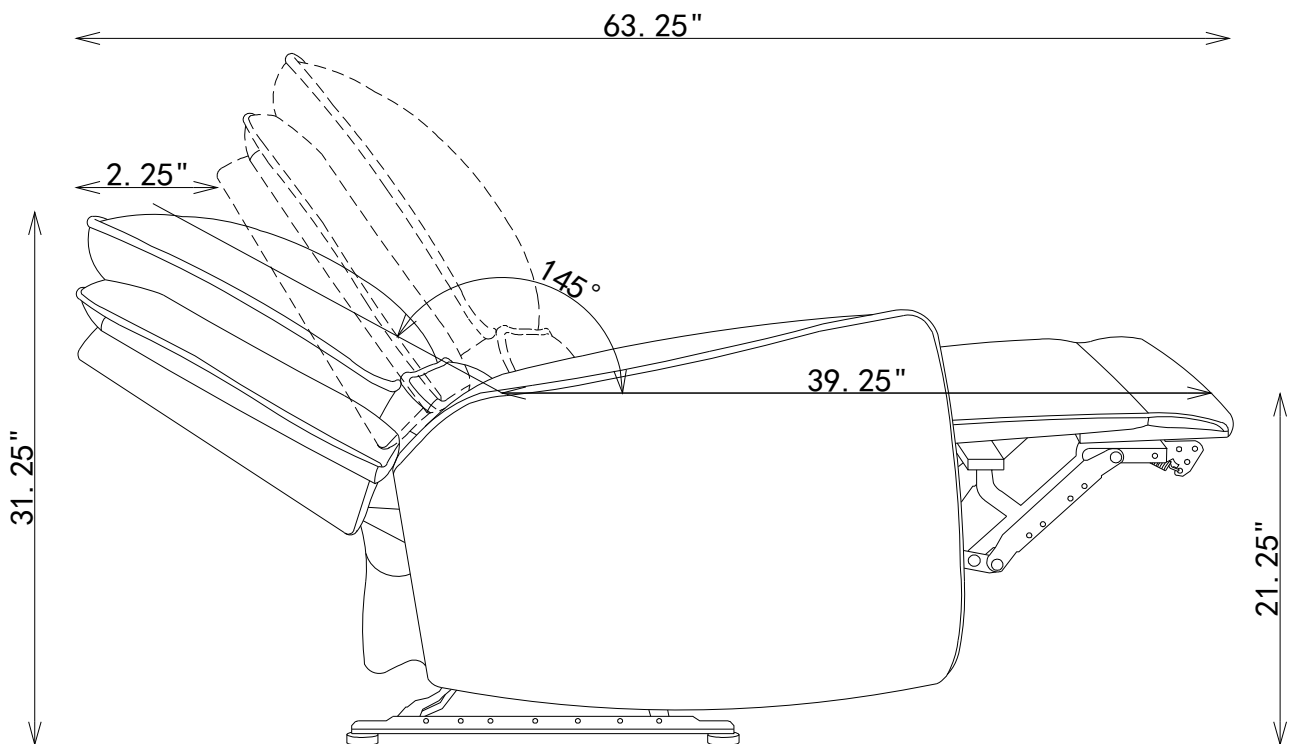
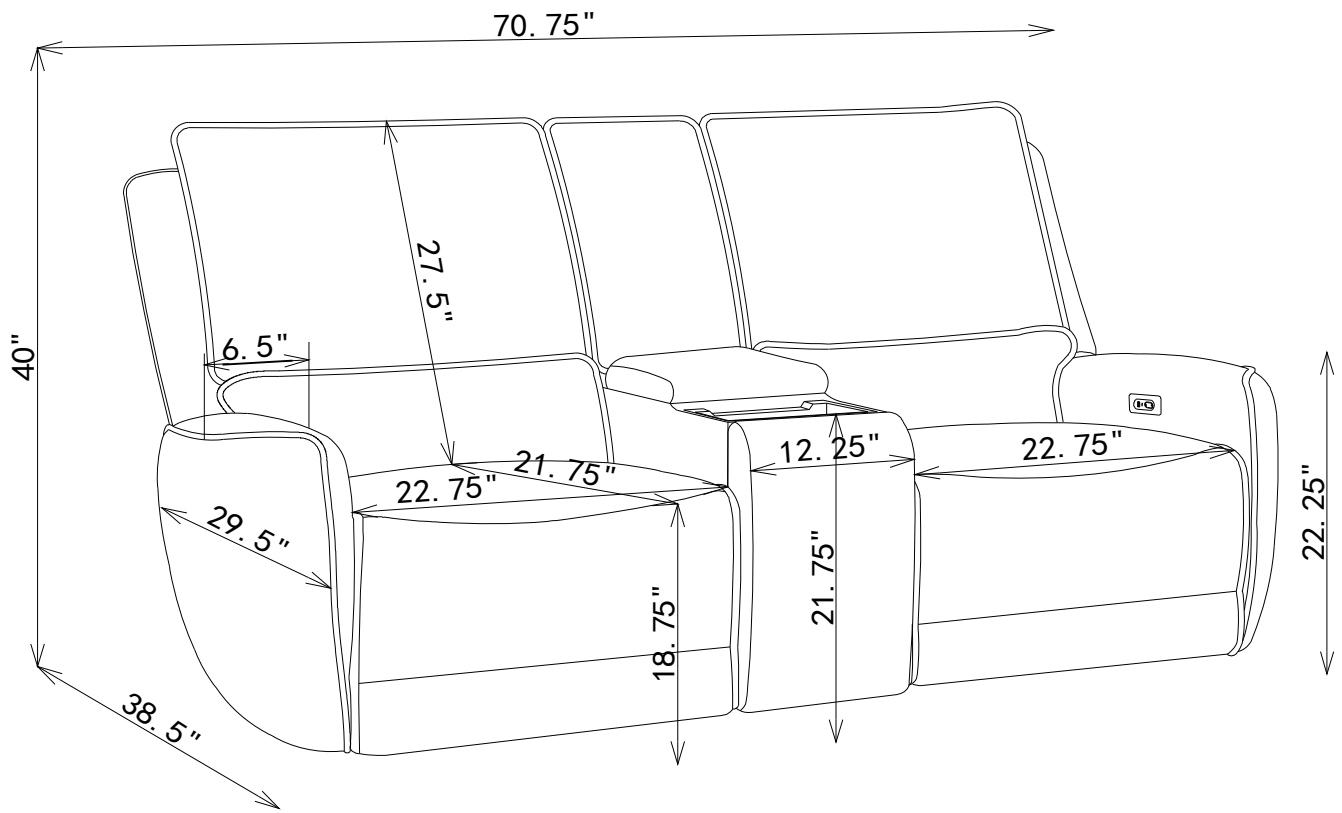
Close the box door.

Notice: Please don't keep the battery in the box when the power motion sofa is under daily use with power supply.



ITEM : 610522P

ASSEMBLY INSTRUCTIONS



Note: Dimension tolerance $\pm 5\%$