



ASSEMBLY INSTRUCTIONS
COASTER FINE FURNITURE



Fine Furniture for every stage of life

603435PPP
POWER RECLINING LOVESEAT

ITEM :603435PPP

ASSEMBLY INSTRUCTIONS



ASSEMBLY TIPS:

- 1.Remove hardware from box and sort by size.
- 2.Please check to see that all hardware and parts are present prior to start of assembly.
- 3.Please follow attached instruction in the same sequence as numbered to assure fast & easy assembly.



WARNING!

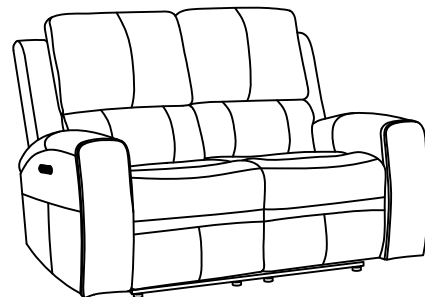
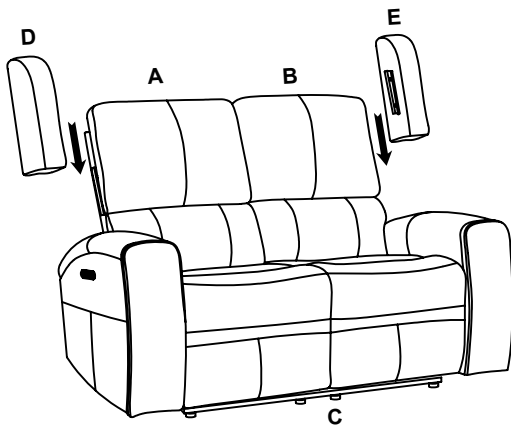
- 1.Don't attempt to repair or modify parts that are broken or defective. Please contact the store immediately.
- 2.This product is for home use only and not intended for commercial establishment.



ASSEMBLY TIME

5 MINUTES

PARTS IDENTIFICATION



A LEFT BACK

B RIGHT BACK

C BASE

D LEFT EAR

E RIGHT EAR

F PLUG-IN POWER SUPPLY



1 PC



1 PC



1 PC



1 PC



1 PC



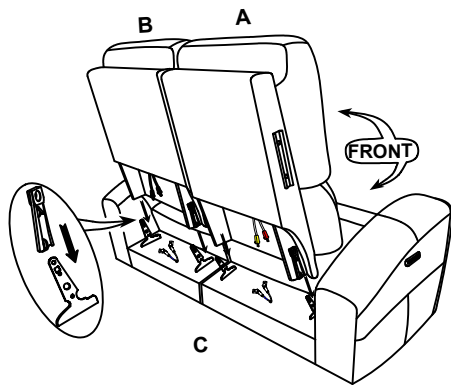
1 PC

ITEM :603435PPP

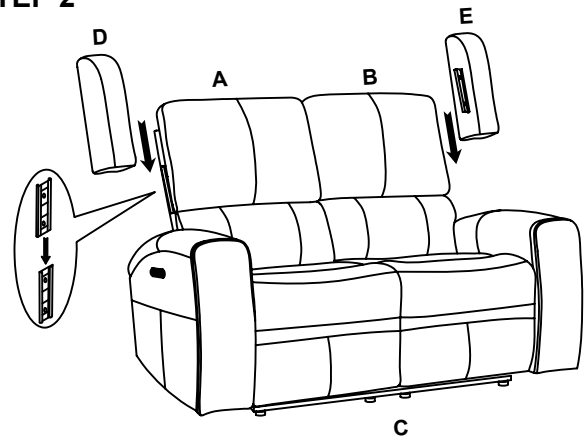
ASSEMBLY INSTRUCTIONS



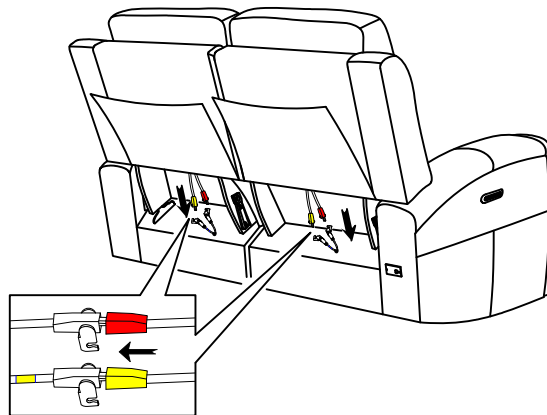
STEP 1



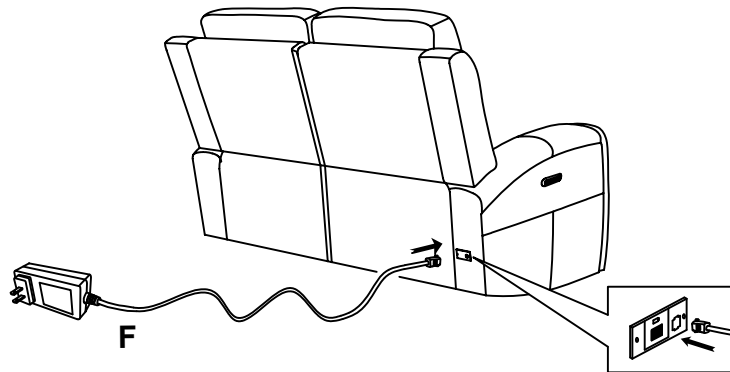
STEP 2



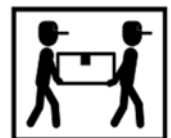
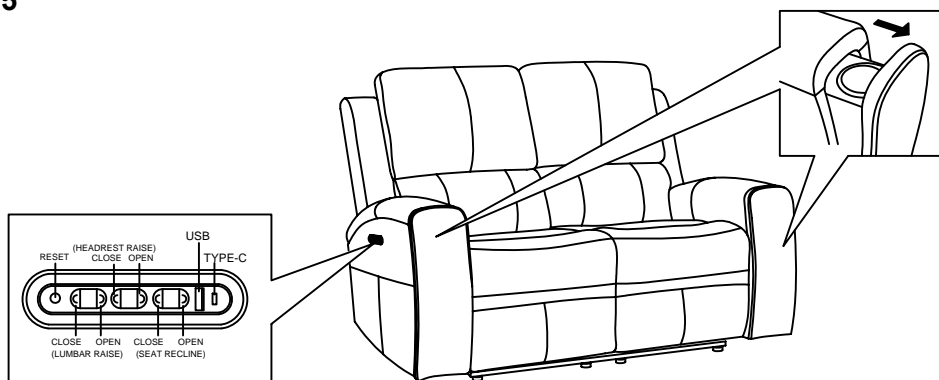
STEP 3



STEP 4



STEP 5



ITEM :603435PPP

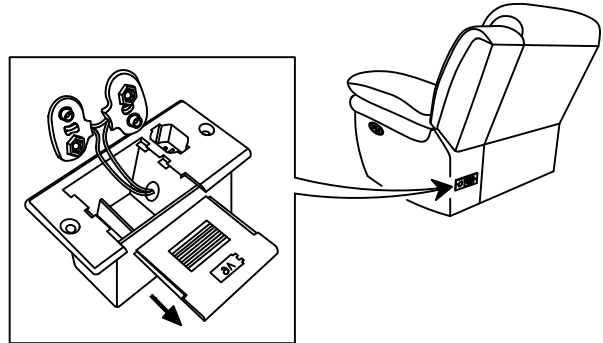
ASSEMBLY INSTRUCTIONS



Please follow below steps to install the 9V batteries when there is no power to operate the motion sofa.(Any model of 9V battery is applicable)

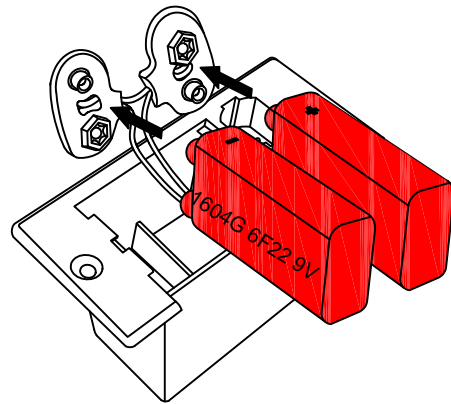
STEP 1

Open the marked battery door on the backup battery box.



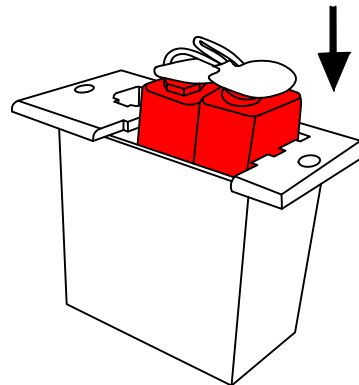
STEP 2

Install two 9V batteries in the backup battery box.(batteries are not included)



STEP 3

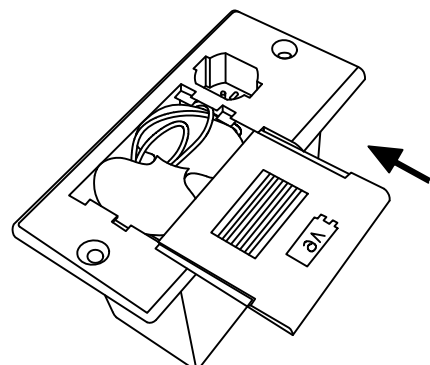
Push the batteries in.



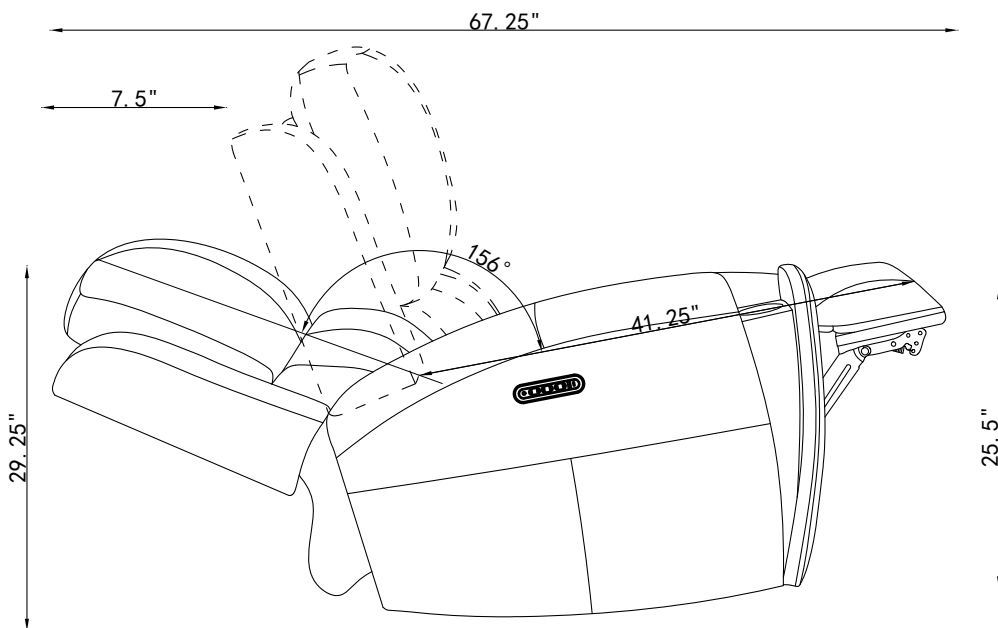
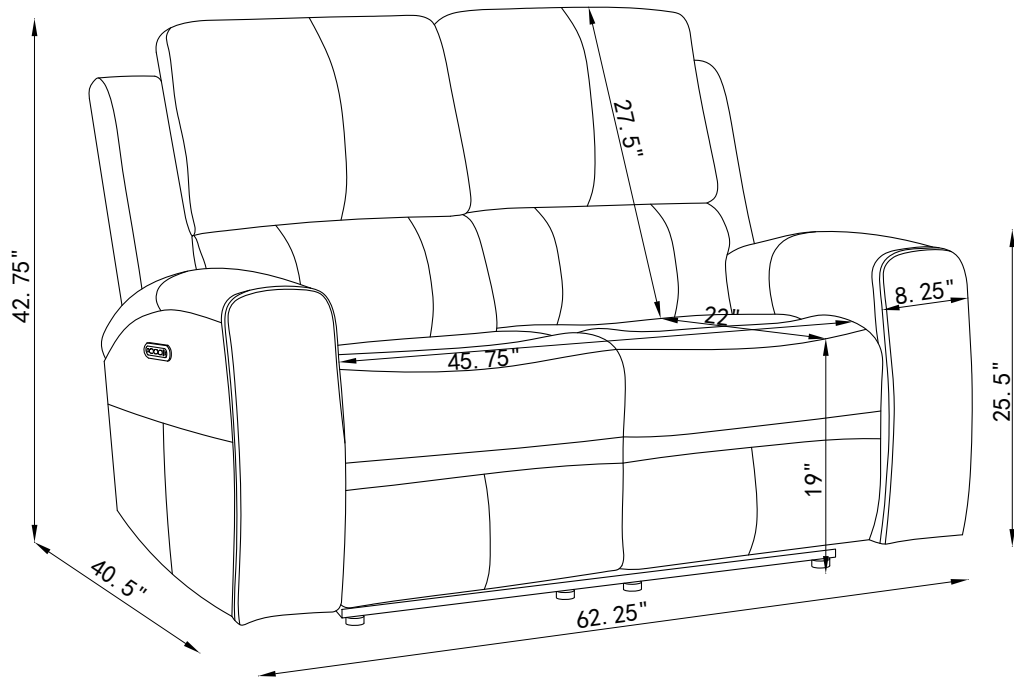
STEP 4

Close the box door.

Notice: Please don't keep the battery in the box when the power motion sofa is under daily use with power supply.



ITEM :603435PPP
ASSEMBLY INSTRUCTIONS



Note : Dimension tolerance $\pm 5\%$