



ASSEMBLY INSTRUCTIONS
COASTER FINE FURNITURE



Fine Furniture for every stage of life

603431PPP
POWER RECLINING SOFA

ITEM :603431PPP

ASSEMBLY INSTRUCTIONS



ASSEMBLY TIPS:

- 1.Remove hardware from box and sort by size.
- 2.Please check to see that all hardware and parts are present prior to start of assembly.
- 3.Please follow attached instruction in the same sequence as numbered to assure fast & easy assembly.



WARNING!

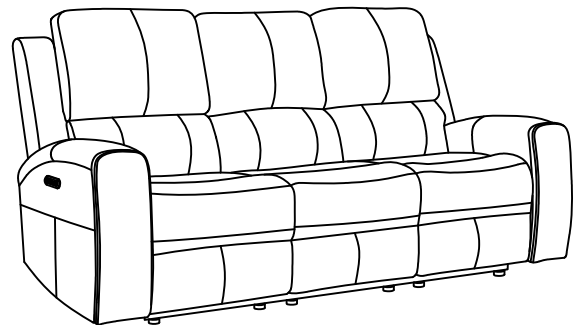
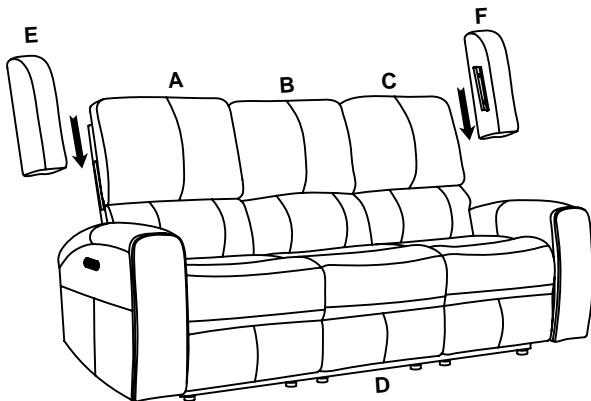
- 1.Don't attempt to repair or modify parts that are broken or defective. Please contact the store immediately.
- 2.This product is for home use only and not intended for commercial establishment.



ASSEMBLY TIME

5 MINUTES

PARTS IDENTIFICATION



A LEFT BACK



1 PC

B MIDDLE BACK



1 PC

C RIGHT BACK



1 PC

D BASE



1 PC

E LEFT EAR



1 PC

F RIGHT EAR



1 PC

G PLUG-IN POWER SUPPLY



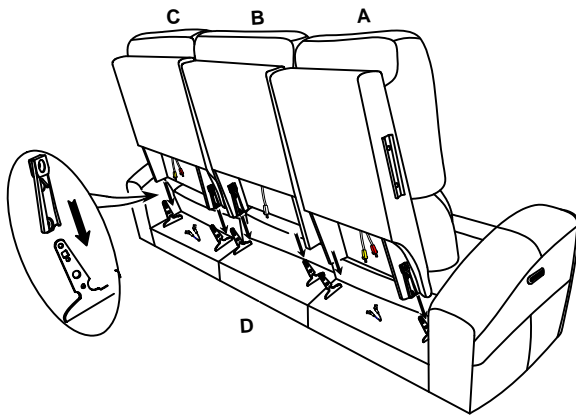
1 PC

ITEM :603431PPP

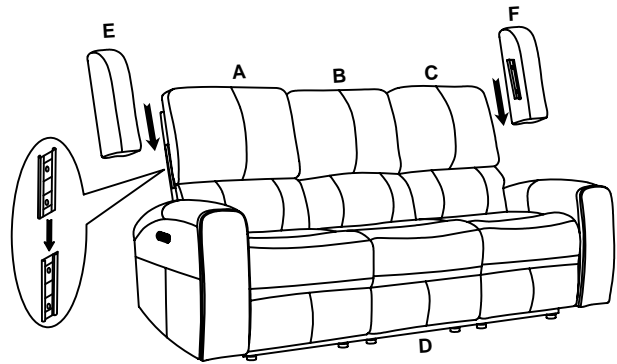
ASSEMBLY INSTRUCTIONS



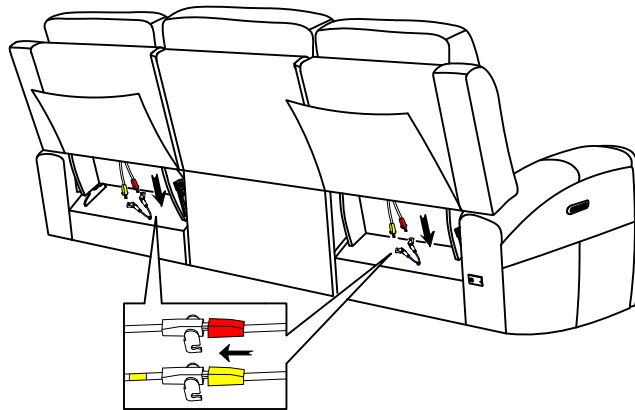
STEP 1



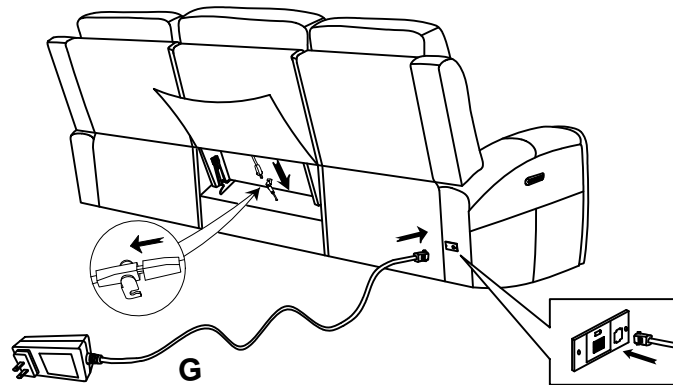
STEP 2



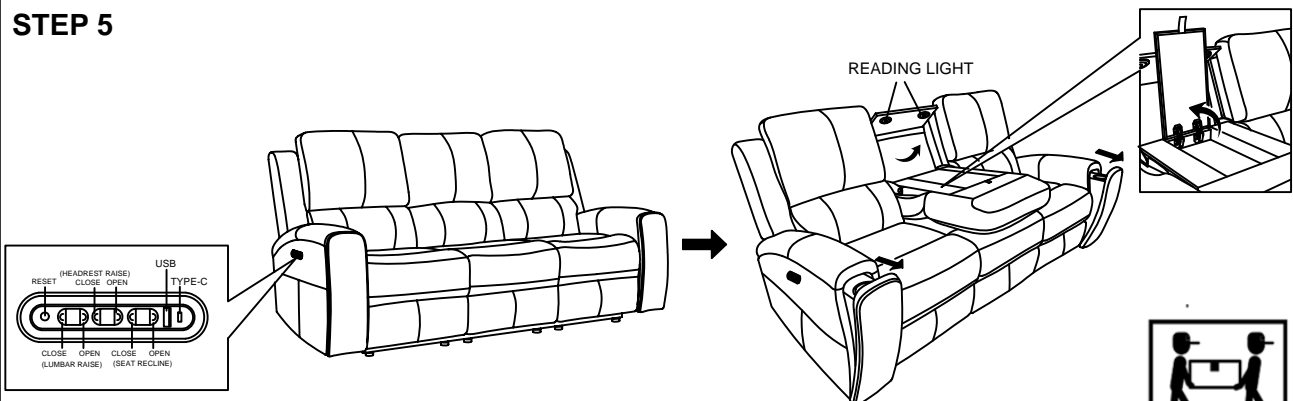
STEP 3



STEP 4



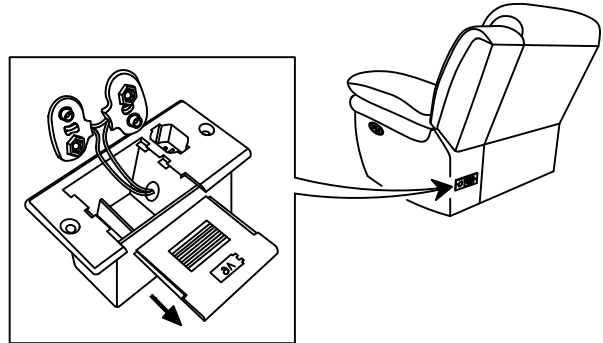
STEP 5



Please follow below steps to install the 9V batteries when there is no power to operate the motion sofa.(Any model of 9V battery is applicable)

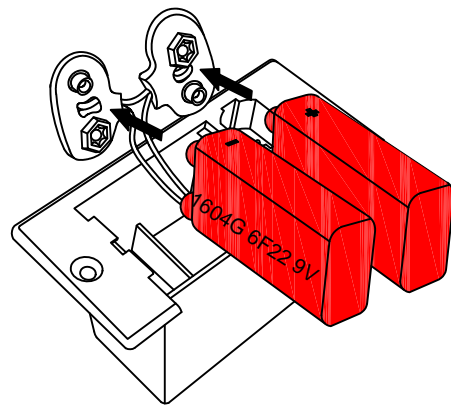
STEP 1

Open the marked battery door on the backup battery box.



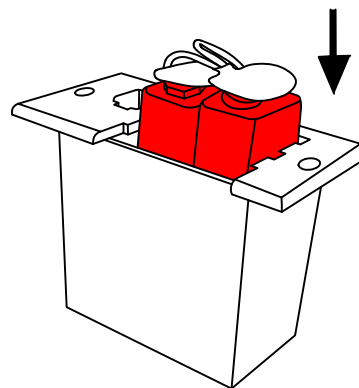
STEP 2

Install two 9V batteries in the backup battery box.(batteries are not included)



STEP 3

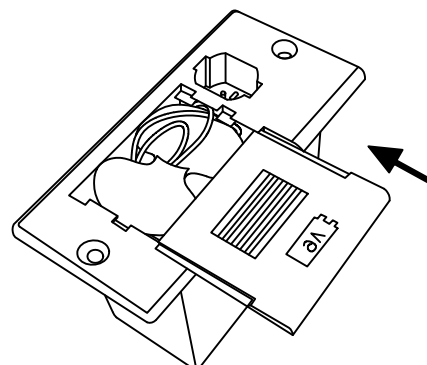
Push the batteries in.



STEP 4

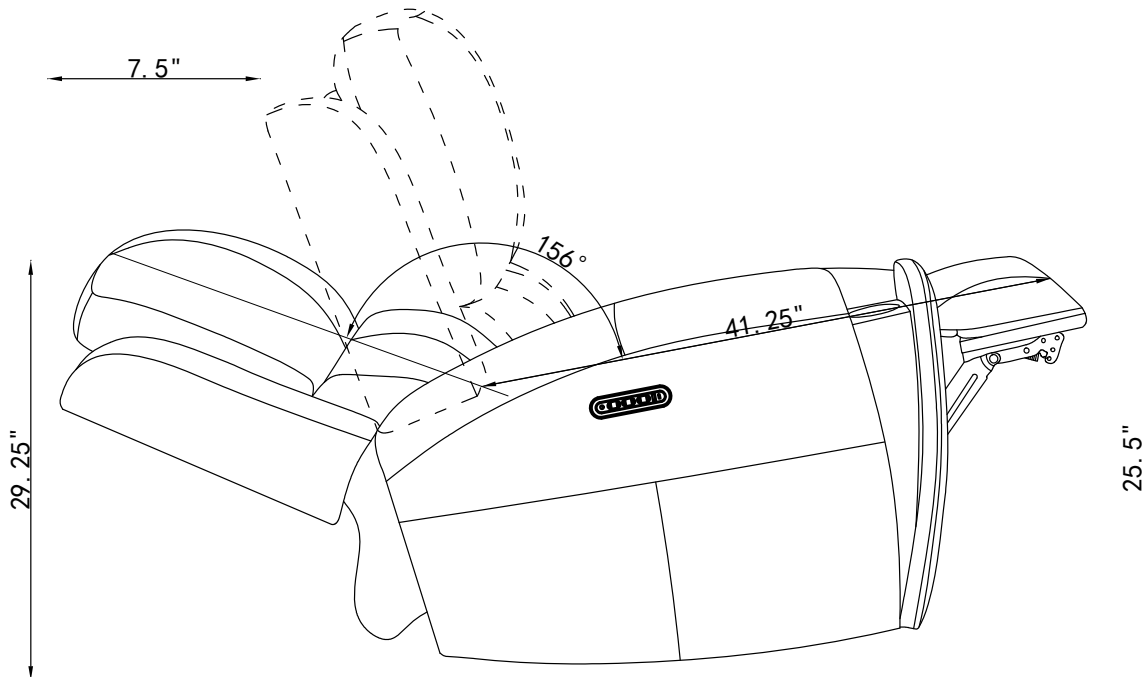
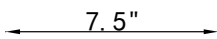
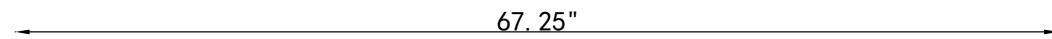
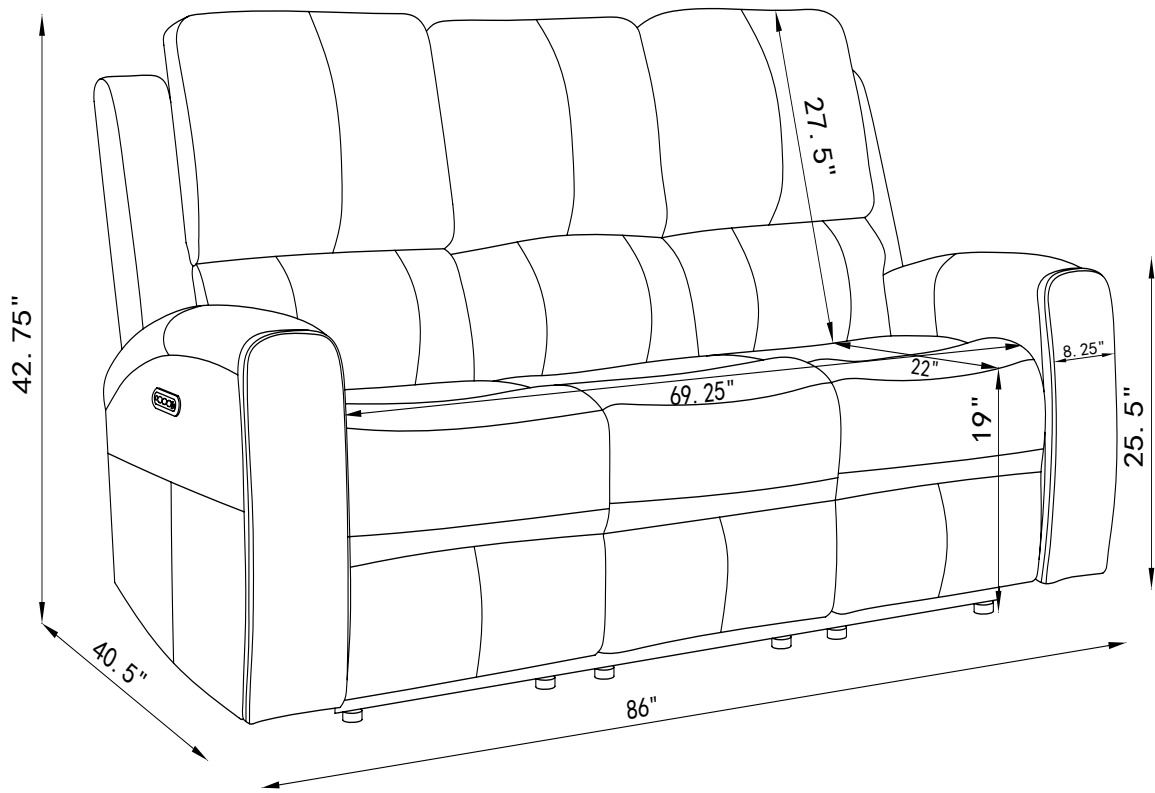
Close the box door.

Notice: Please don't keep the battery in the box when the power motion sofa is under daily use with power supply.



ITEM :603431PPP

ASSEMBLY INSTRUCTIONS



Note : Dimension tolerance $\pm 5\%$