

*ASSEMBLY INSTRUCTIONS*  
*COASTER FINE FURNITURE*



*Fine Furniture for every stage of life*

**722977(B1&B2)**  
***End Table***

# ITEM: 722977(B1&B2)



## ASSEMBLY INSTRUCTIONS

### ASSEMBLY TIPS:

1. Remove hardware from box and sort by size.
2. Please check to see that all hardware and parts are present prior to start of assembly.
3. Please follow attached instructions in the same sequence as numbered to assure fast & easy assembly.



### WARNING!

1. Don't attempt to repair or modify parts that are broken or defective. Please contact the store immediately.
2. This product is for home use only and not intended for commercial establishments.



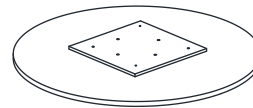
ASSEMBLY TIME

15 MINUTES

## PARTS IDENTIFICATION

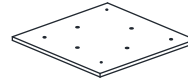
### B1 (BOX 1)

A TOP



1PC

B MOUNTING PLATE  
(PRE-ATTACHED TO TOP)



1PC

### B2 (BOX 2)

C LEG WITH LABEL "1" (L)



1PC

D LEG WITH LABEL "1" (R)



1PC

E LEG WITH LABEL "2" (L)



1PC

F LEG WITH LABEL "2" (R)



1PC

## HARDWARE IDENTIFICATION

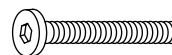
### Z-B1 (BOX 1) - HARDWARE PACK IS LOCATED IN 722977 (B1)

1 ALLEN WRENCH  
(M4 X 60MM - BLK)



1PC

2 BOLT  
(M6 X 25MM - RBW)



4PCS

3 LOCK WASHER  
(M6 X 13MM - RBW)



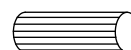
4PCS

4 FLAT WASHER  
(M6 X 13MM - RBW)



4PCS

5 WOOD DOWEL  
(M8 X 30MM)



14PCS

6 LEVELER  
(M6 X 23MM)



6PCS

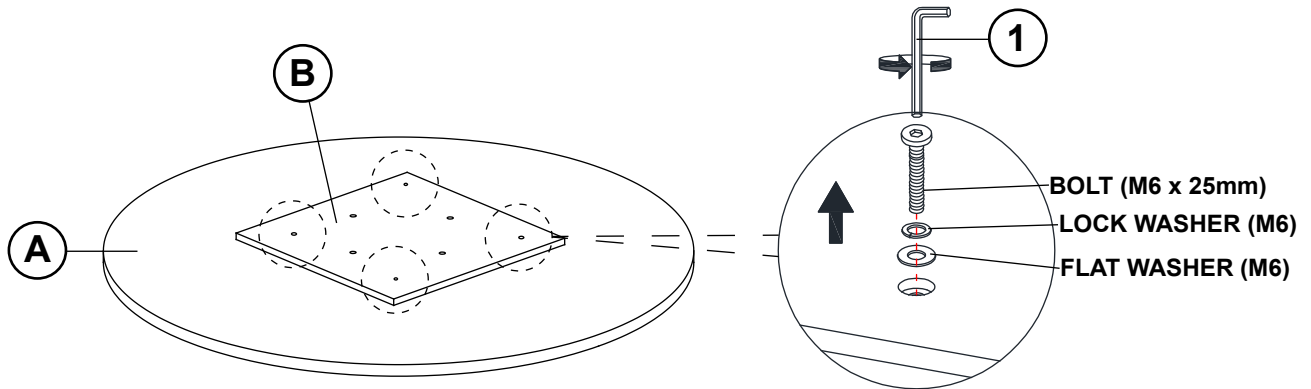
# ITEM: 722977(B1&B2)



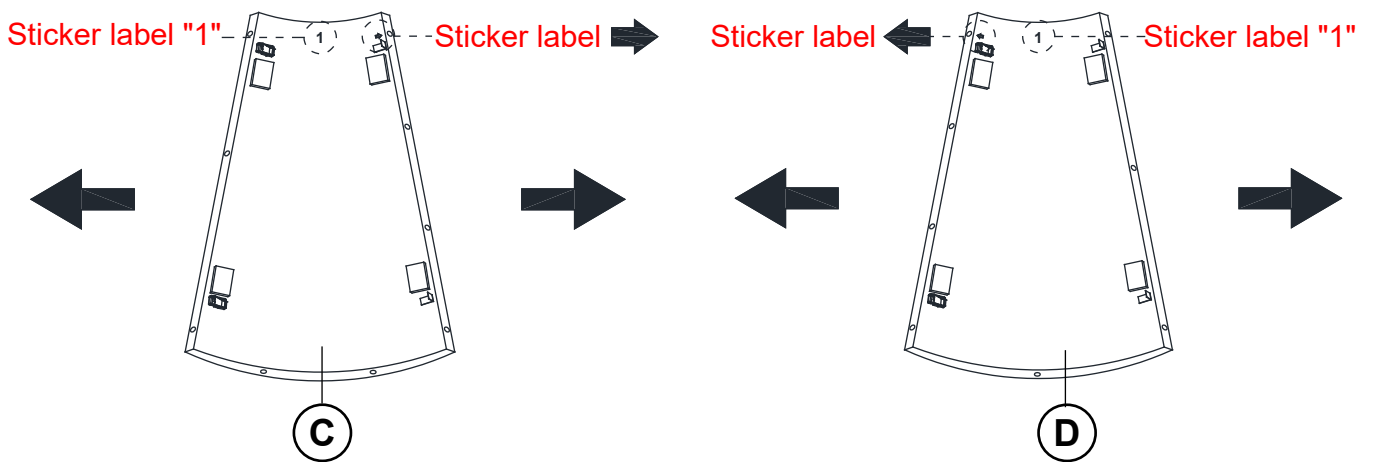
## ASSEMBLY INSTRUCTIONS

### STEP 1

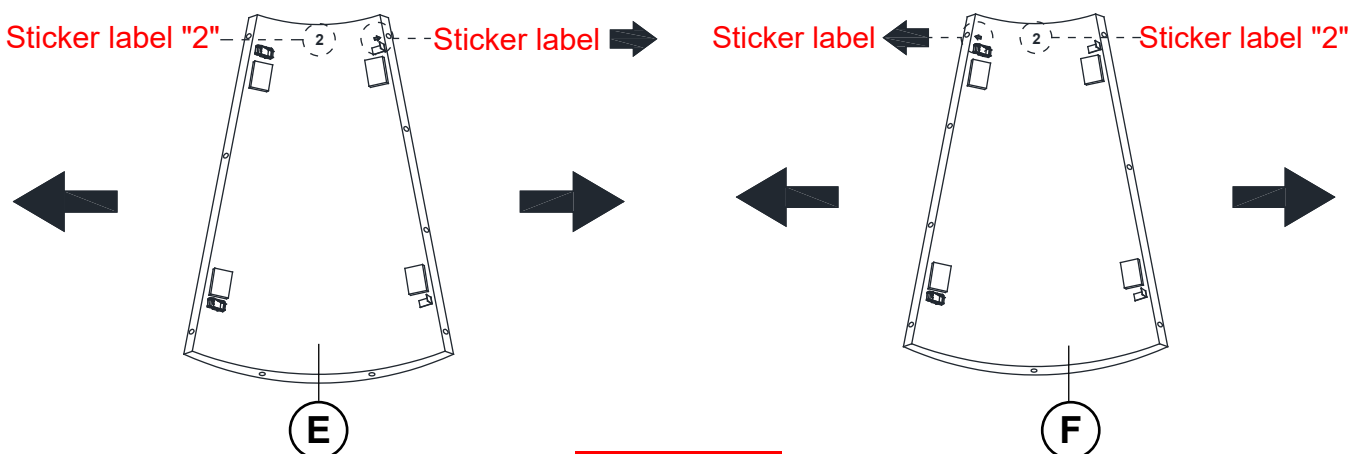
Attention! Please remove part B and all hardware from TOP (A), using ALLEN WRENCH (1) and keep for STEP 8 and STEP 9.



### STEP 2



### STEP 3

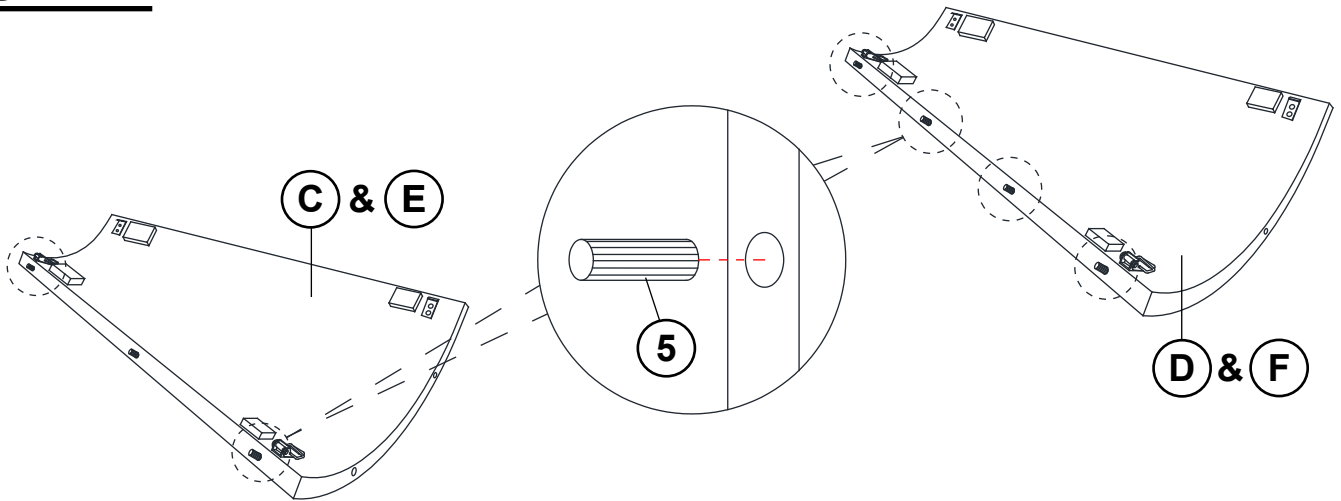


ITEM: **722977(B1&B2)**

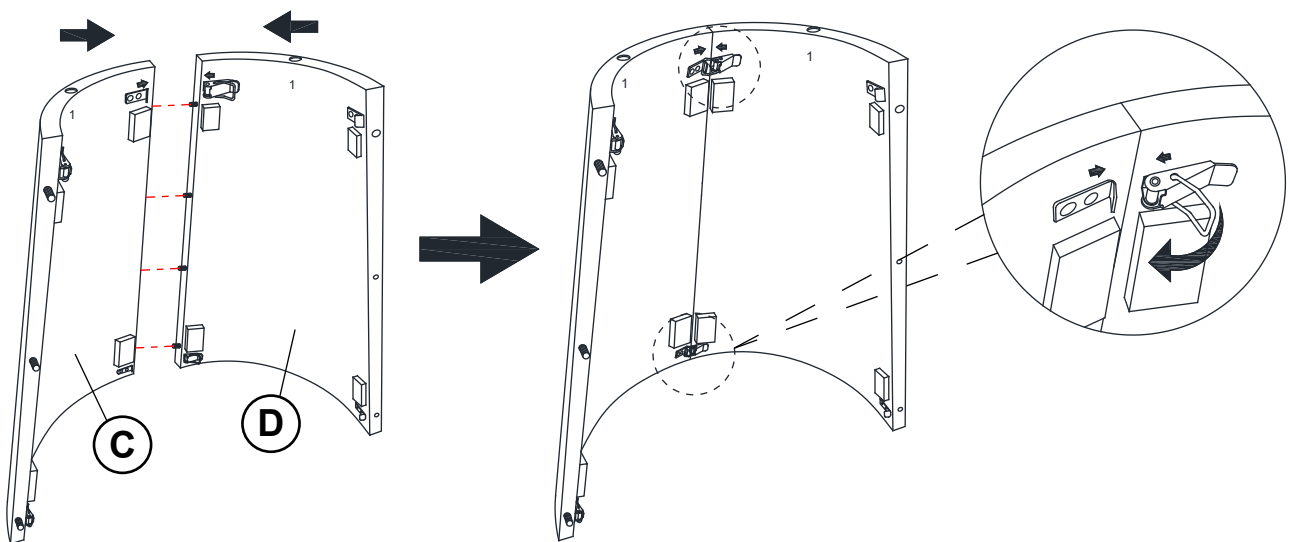
**ASSEMBLY INSTRUCTIONS**



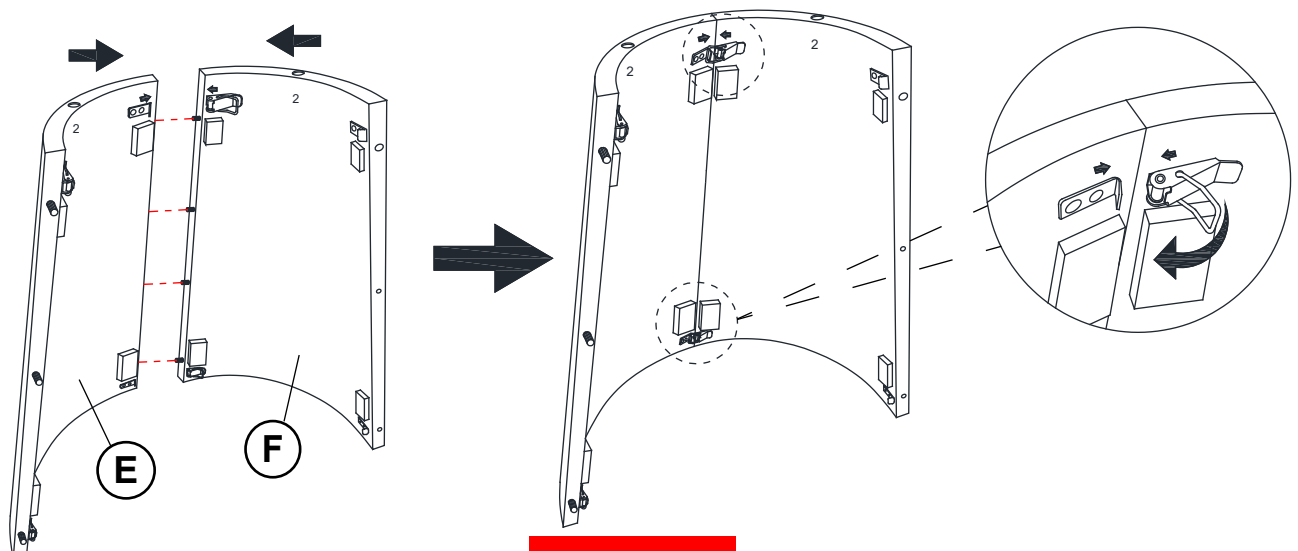
**STEP 4**



**STEP 5**



**STEP 6**

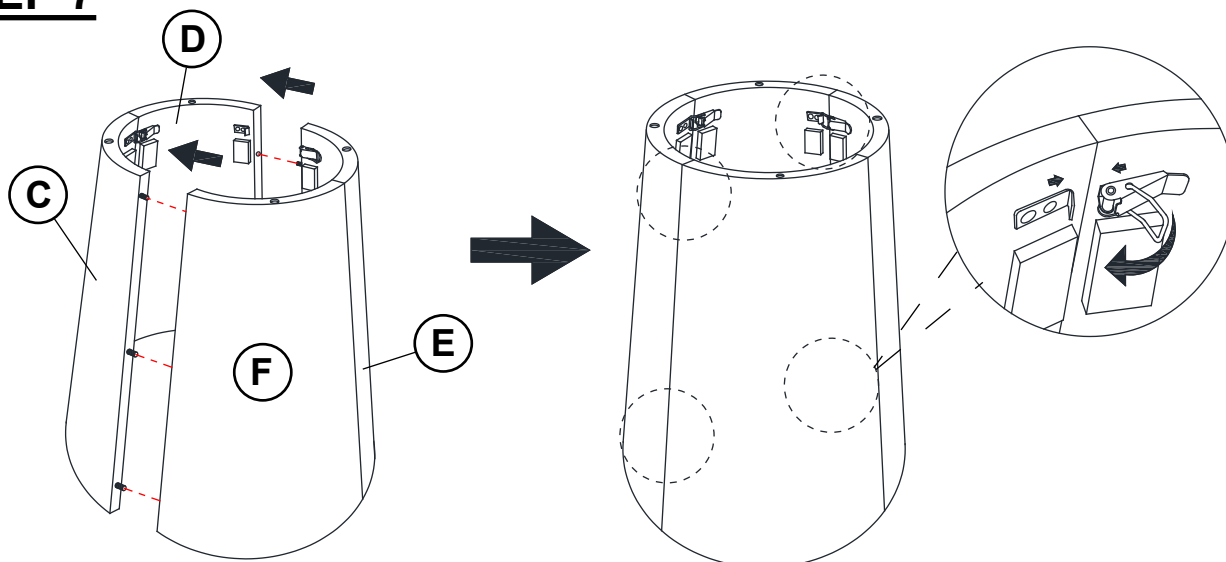


ITEM: **722977(B1&B2)**

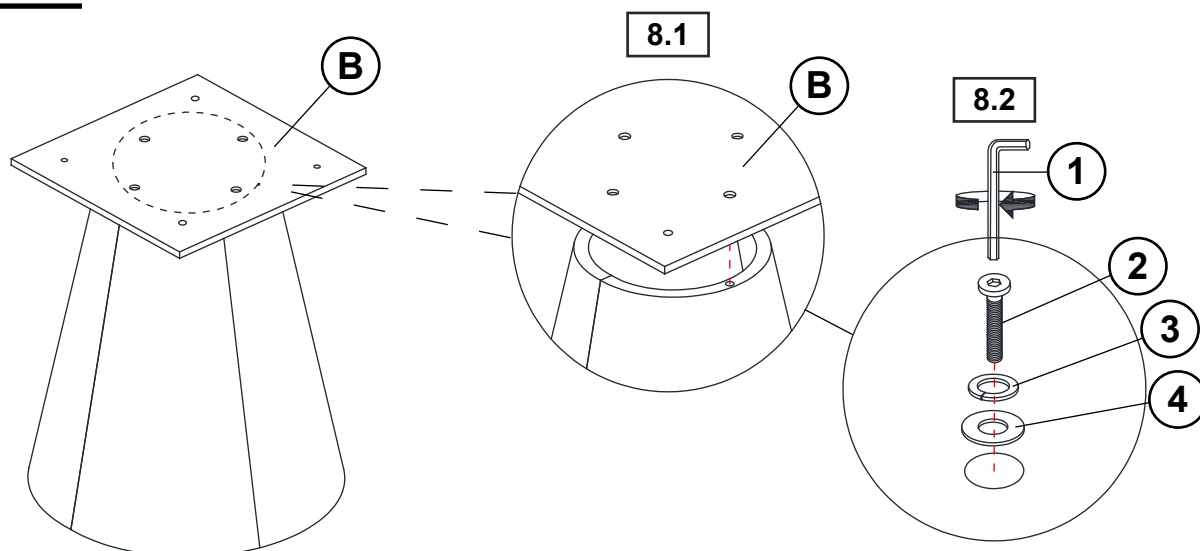
# ASSEMBLY INSTRUCTIONS



## STEP 7

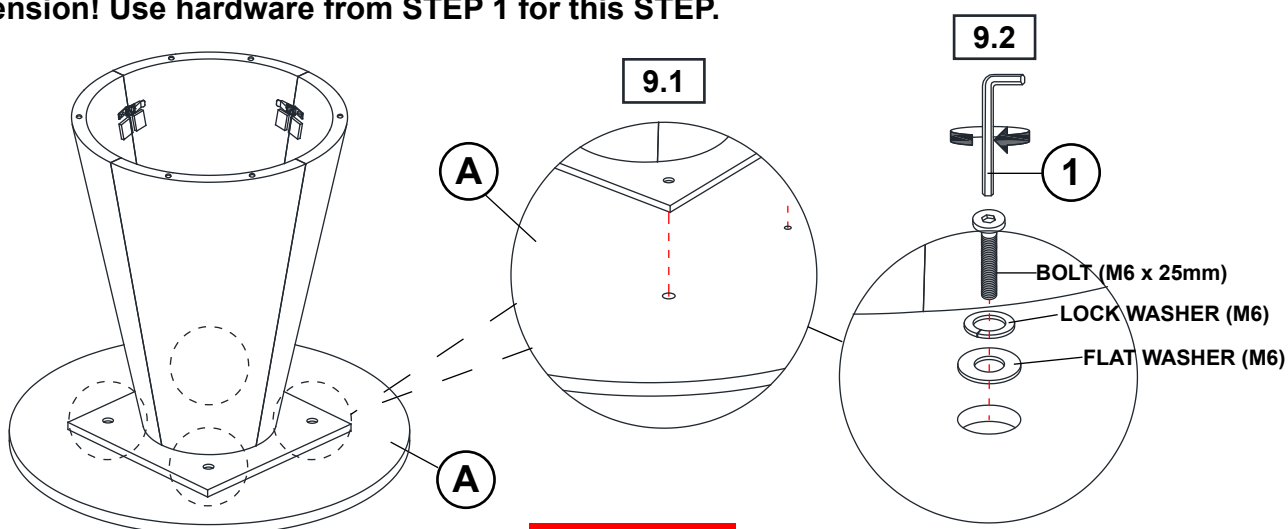


## STEP 8



## STEP 9

Attention! Use hardware from STEP 1 for this STEP.

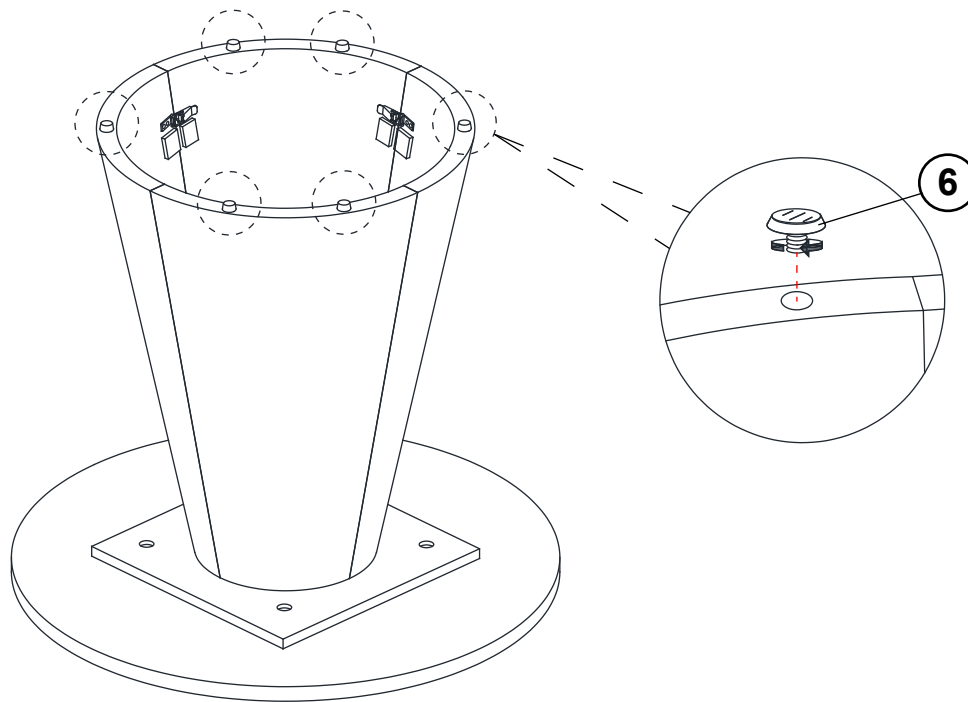


\*BOTTOM VIEW

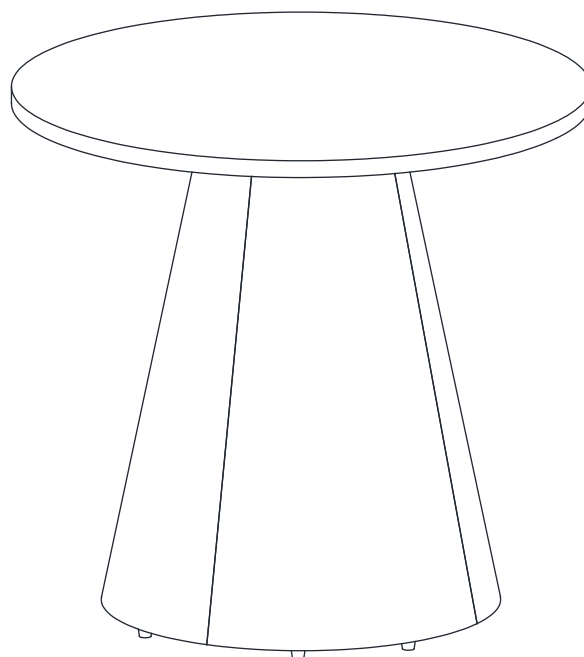
ITEM: **722977(B1&B2)**

**ASSEMBLY INSTRUCTIONS**

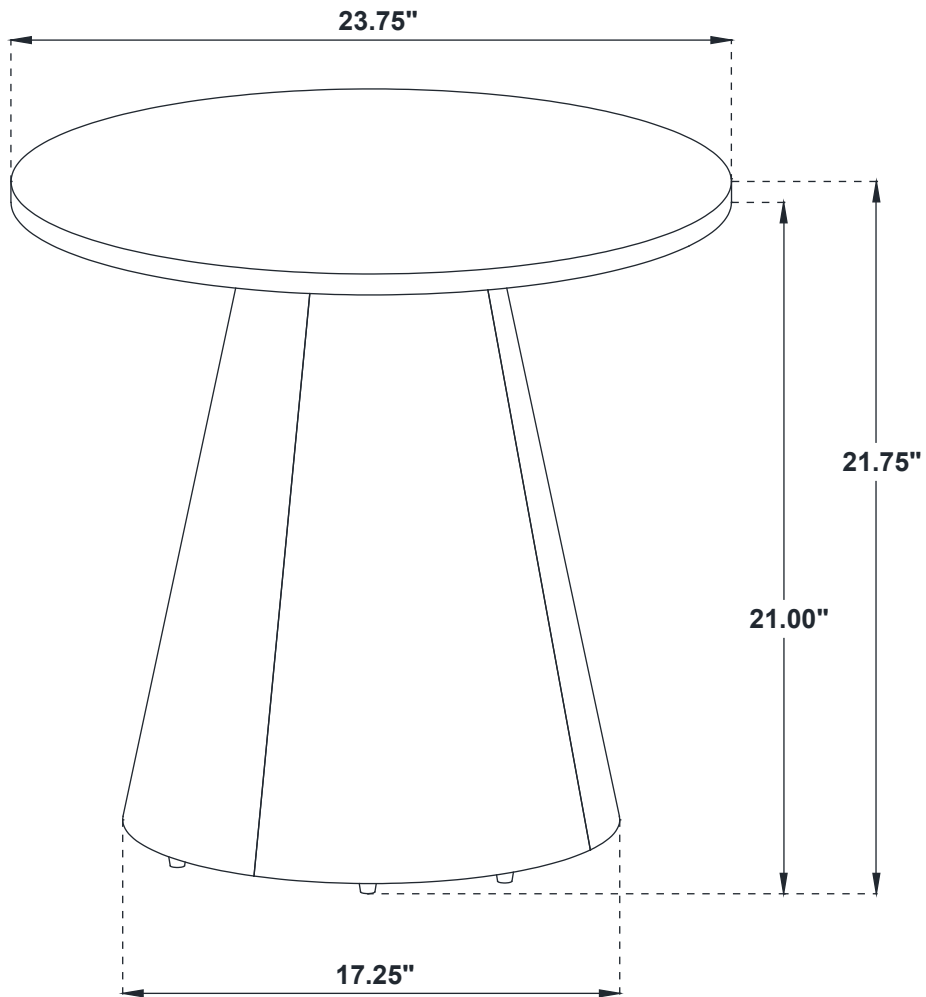
**STEP 10**



**STEP 11**  
**COMPLETE**



ITEM: 722977(B1&B2)



**Note: Dimension tolerance  $\pm 5\%$**