



ASSEMBLY INSTRUCTIONS
COASTER FINE FURNITURE



Fine Furniture for every stage of life

900648
Accent Chair

ITEM: **900648**



ASSEMBLY INSTRUCTIONS

ASSEMBLY TIPS:

1. Remove hardware from box and sort by size.
2. Please check to see that all hardware and parts are present prior to start of assembly.
3. Please follow attached instructions in the same sequence as numbered to assure fast & easy assembly.



WARNING!

1. Don't attempt to repair or modify parts that are broken or defective. Please contact the store immediately.
2. This product is for home use only and not intended for commercial establishments.

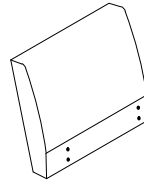


ASSEMBLY TIME

15 MINUTES

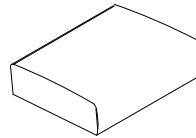
PARTS IDENTIFICATION

A BACKREST



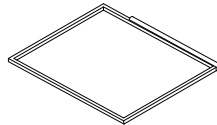
1PC

B SEAT CUSHION WITH FRAME



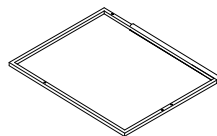
1PC

C LEFT LEG FRAME



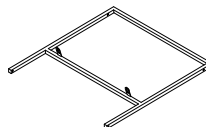
1PC

D RIGHT LEG FRAME



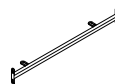
1PC

E BACK FRAME



1PC

F FRONT RAIL



1PC

ITEM: **900648**

ASSEMBLY INSTRUCTIONS



ASSEMBLY TIPS:

1. Remove hardware from box and sort by size.
2. Please check to see that all hardware and parts are present prior to start of assembly.
3. Please follow attached instructions in the same sequence as numbered to assure fast & easy assembly.



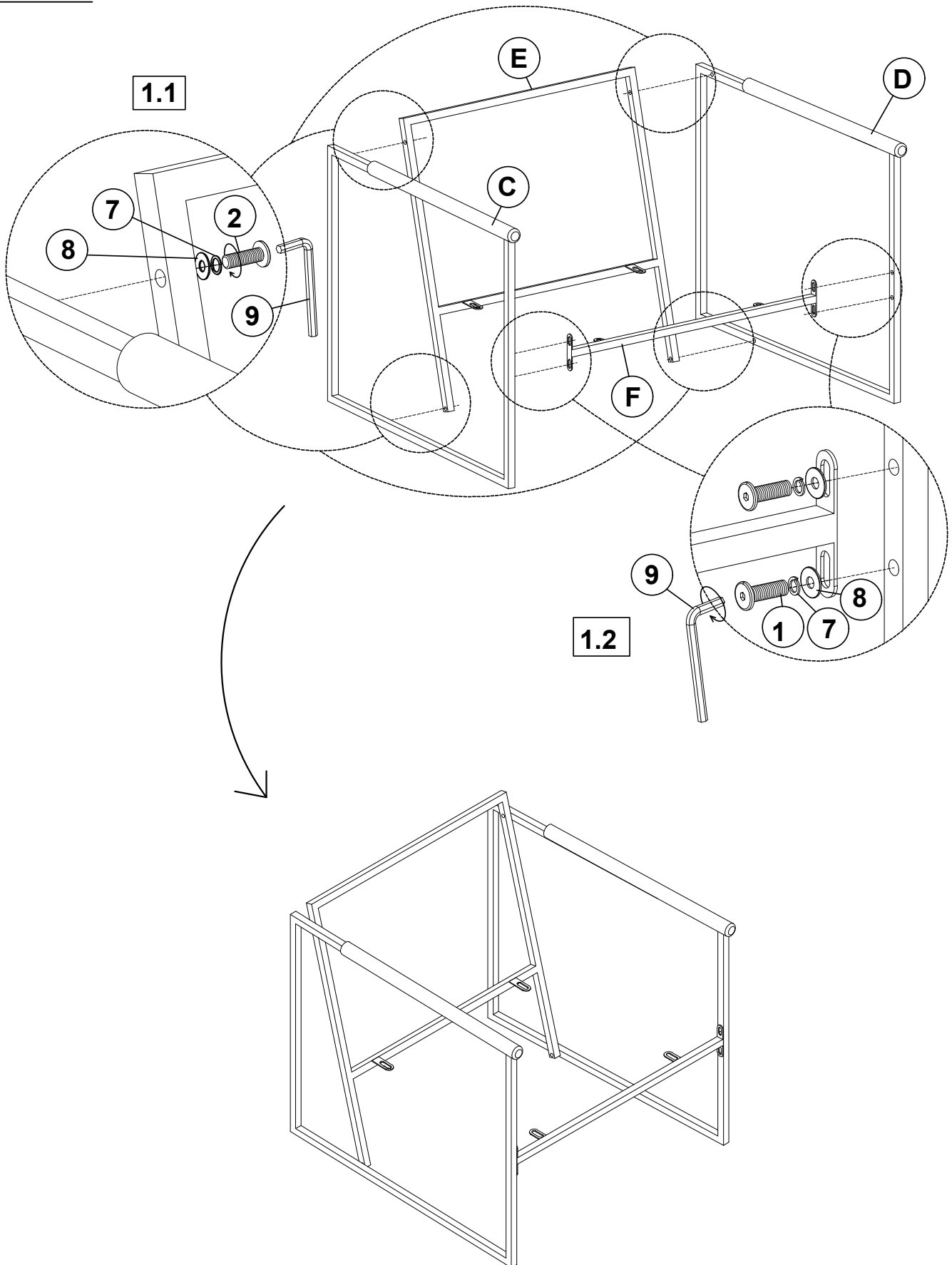
WARNING!

1. Don't attempt to repair or modify parts that are broken or defective. Please contact the store immediately.
2. This product is for home use only and not intended for commercial establishments.

HARDWARE IDENTIFICATION

1	BOLT 1 (Ø1/4" x 1/2" - BLK)		4PCS
2	BOLT 2 (Ø1/4" x 1-3/16" - BLK)		4PCS
3	BOLT 3 (Ø1/4" x 1 1/2" - BLK)		4PCS
4	BOLT 4 (Ø5/16" x 2-3/8" - BLK)		4PCS
5	BIG LOCK WASHER (5/16" x 16mm - BLK)		4PCS
6	BIG FLAT WASHER (Ø5/16" - BLK)		4PCS
7	SMALL LOCK WASHER (1/4" x 16mm - BLK)		12PCS
8	SMALL FLAT WASHER (Ø1/4" - BLK)		12PCS
9	ALLEN WRENCH (4 x 59mm - BLK)		1PC

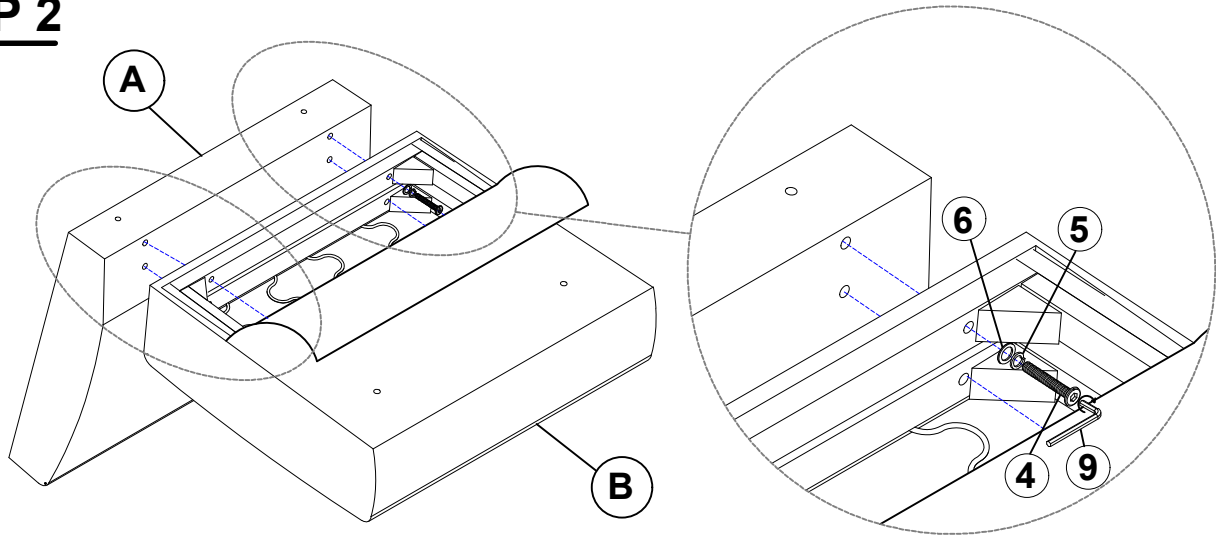
ITEM: **900648**
ASSEMBLY INSTRUCTIONS
STEP 1



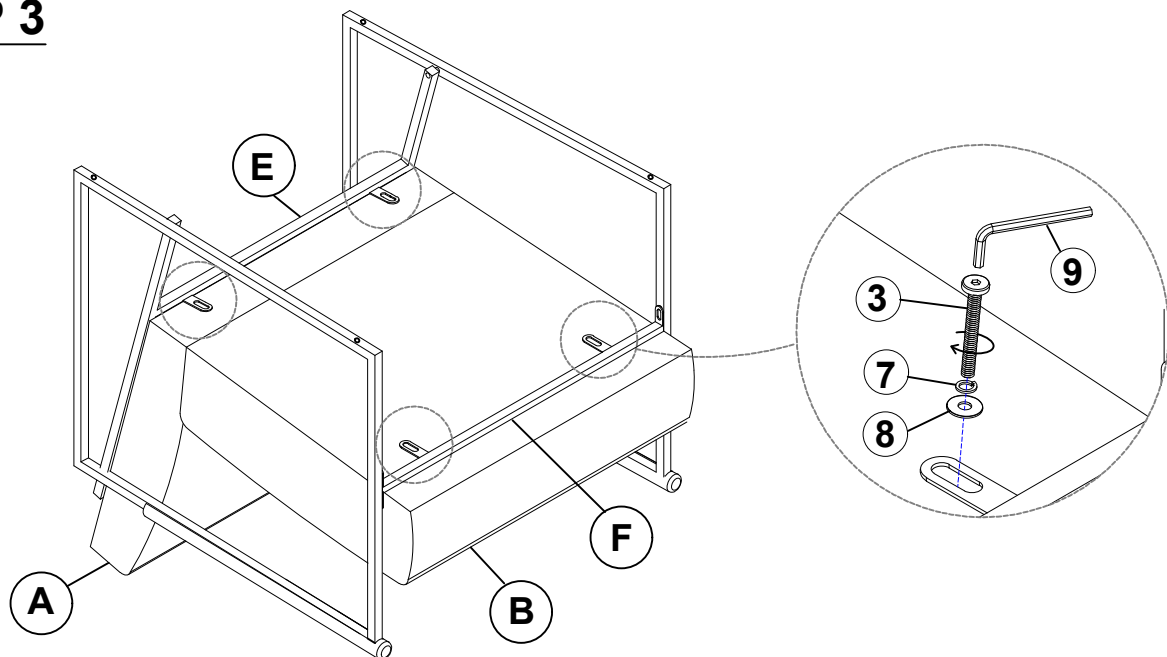
ITEM: **900648**

ASSEMBLY INSTRUCTIONS

STEP 2

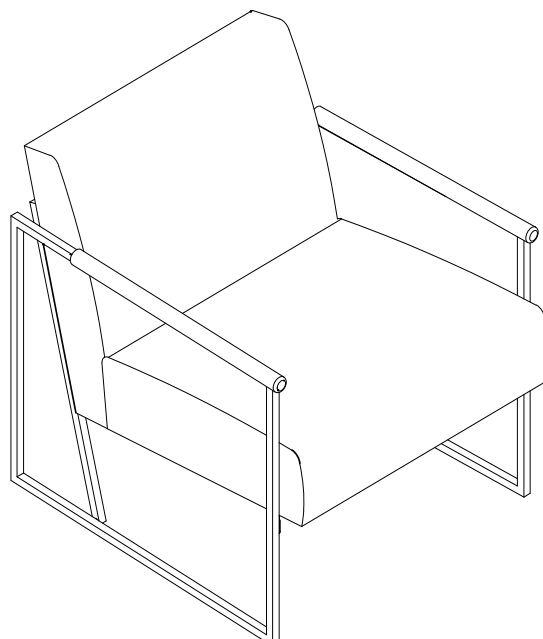


STEP 3

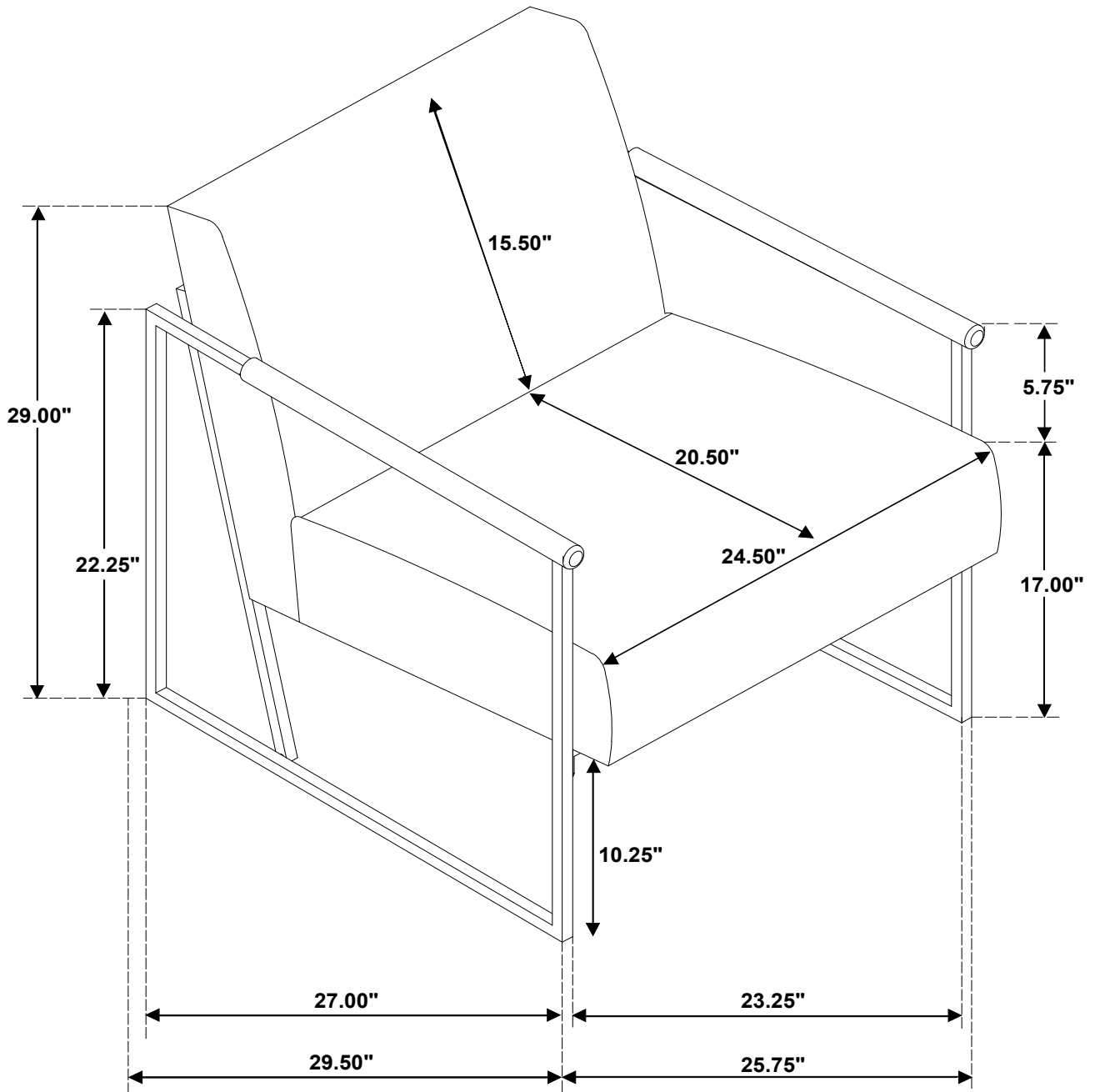


STEP 4

COMPLETE



ITEM: 900648



Note: Dimension tolerance $\pm 5\%$