

ASSEMBLY INSTRUCTIONS
COASTER FINE FURNITURE



Fine Furniture for every stage of life

903021
Accent Chair

ITEM: **903021**



ASSEMBLY INSTRUCTIONS

ASSEMBLY TIPS:

1. Remove hardware from box and sort by size.
2. Please check to see that all hardware and parts are present prior to start of assembly.
3. Please follow attached instructions in the same sequence as numbered to assure fast & easy assembly.



WARNING!

1. Don't attempt to repair or modify parts that are broken or defective. Please contact the store immediately.
2. This product is for home use only and not intended for commercial establishments.

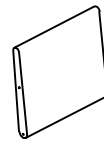


ASSEMBLY TIME

15 MINUTES

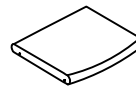
PARTS IDENTIFICATION

AV BACK



1PC

BV SEAT



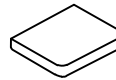
1PC

CV BACK CUSHION



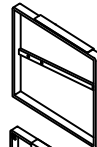
1PC

DV SEAT CUSHION



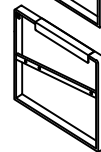
1PC

EV LEFT LEG FRAME



1PC

FV RIGHT LEG FRAME



1PC

HARDWARE IDENTIFICATION

1 LONG BOLT
(Ø5/16" x 30mm - BLK)



6PCS

2 SHORT BOLT
(Ø5/16" x 25mm - BLK)



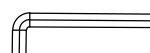
2PCS

3 FLAT WASHER
(Ø5/16" x 19mm - BLK)



8PCS

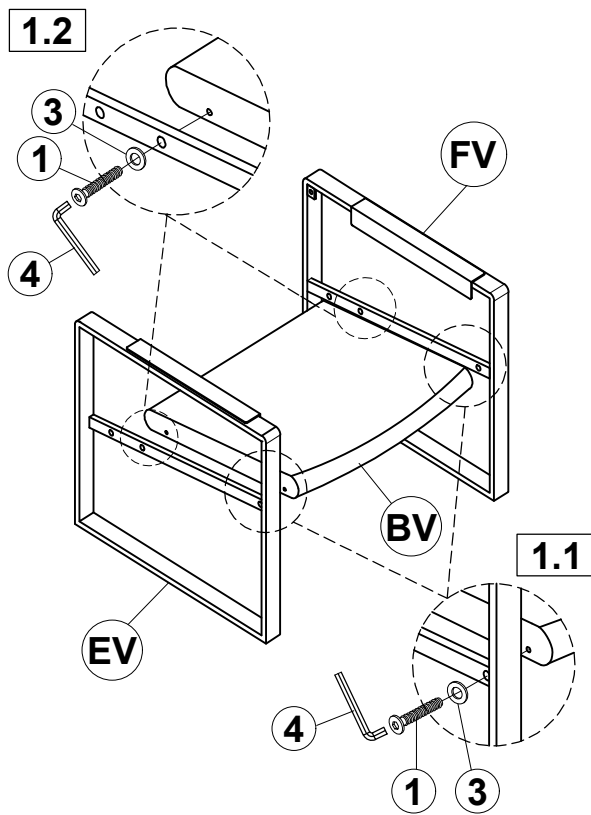
4 ALLEN WRENCH
(5 x 68mm - RBW)



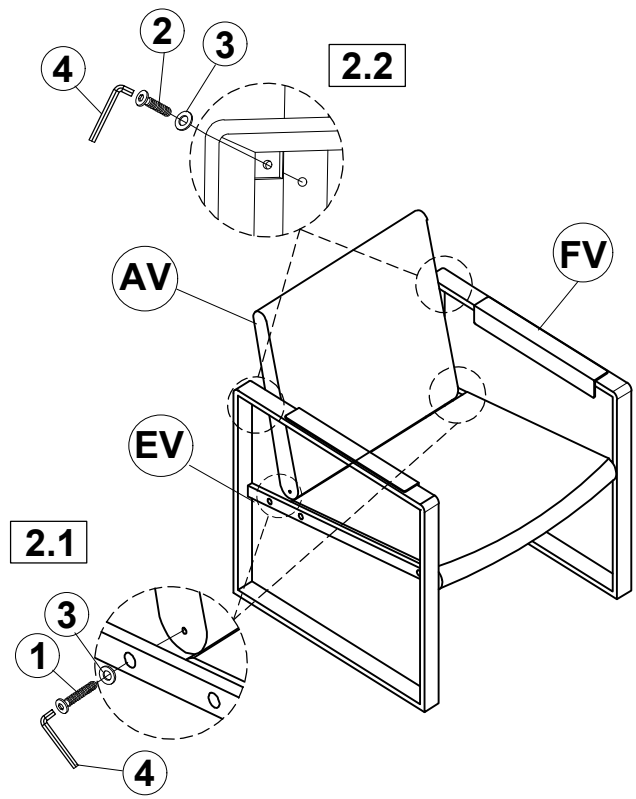
1PC

ITEM: **903021**
ASSEMBLY INSTRUCTIONS

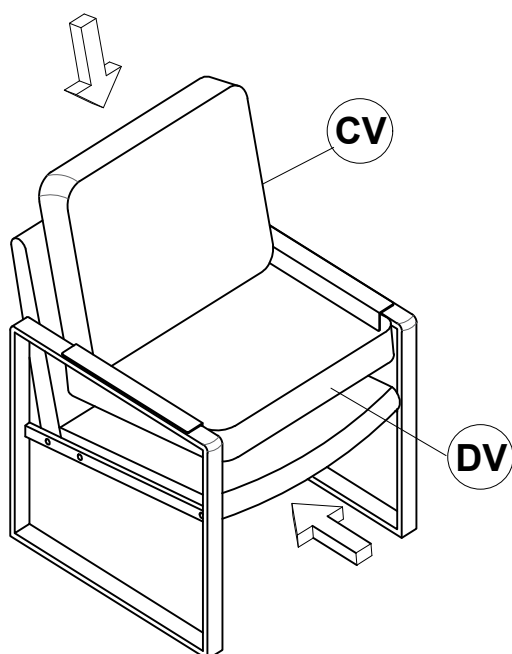
STEP 1



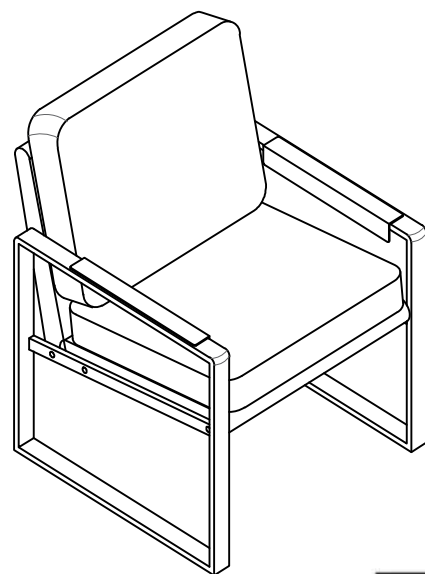
STEP 2



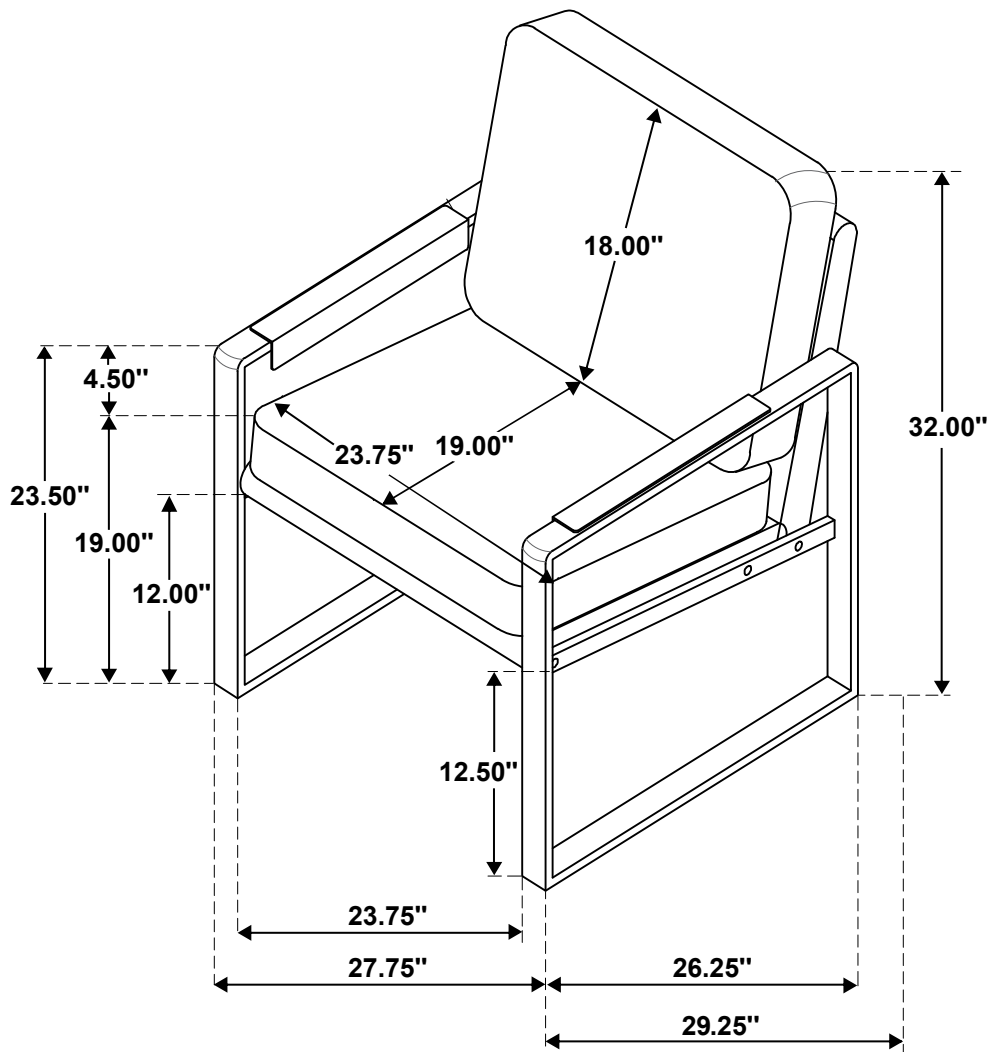
STEP 3



STEP 4
COMPLETE



ITEM: 903021



Note: Dimension tolerance $\pm 5\%$