



*ASSEMBLY INSTRUCTIONS*  
*COASTER FINE FURNITURE*



*Fine Furniture for every stage of life*

**903095**  
**Accent Chair**

REVISION 0 : 05/28/2024  
REVISION 1 : 12/11/2024  
REVISION 2 : 02/21/2025  
REVISION 3 : 02/27/2025  
REVISION 4 : 08/28/2025  
REVISION 5 : 03/21/2026

# ITEM: 903095



## ASSEMBLY INSTRUCTIONS

### ASSEMBLY TIPS:

1. Remove hardware from box and sort by size.
2. Please check to see that all hardware and parts are present prior to start of assembly.
3. Please follow attached instructions in the same sequence as numbered to assure fast & easy assembly.



### WARNING!

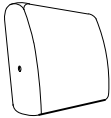
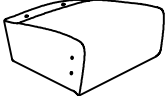
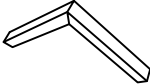
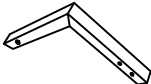
1. Don't attempt to repair or modify parts that are broken or defective. Please contact the store immediately.
2. This product is for home use only and not intended for commercial establishments.






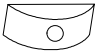


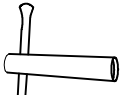
ASSEMBLY TIME

15 MINUTES

## PARTS IDENTIFICATION

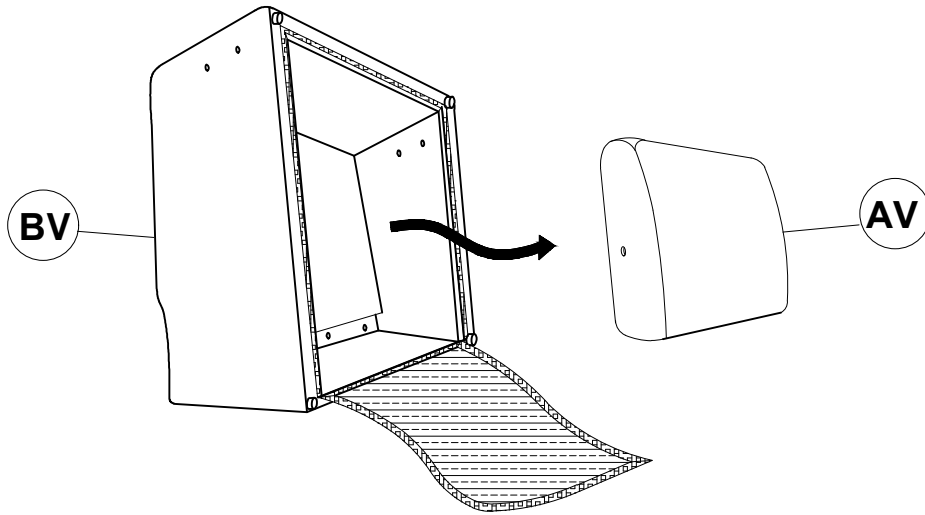
AV	BACK		1PC
BV	SEAT		1PC
CV	LEFT ARM		1PC
DV	RIGHT ARM		1PC

## HARDWARE IDENTIFICATION

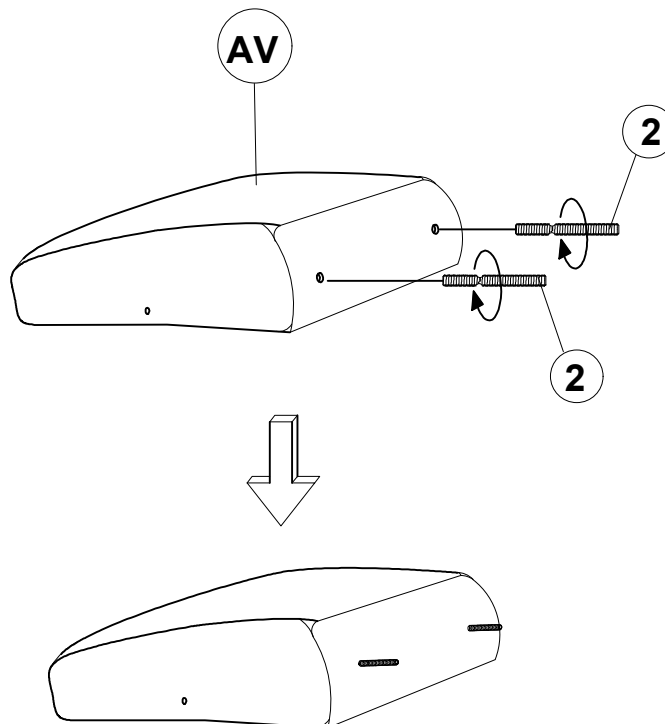
1	SHORT THREADED BOLT (Ø5/16" x 70mm - BLK)		6PCS
2	LONG THREADED BOLT (Ø5/16" x 90mm - BLK)		2PCS
3	FLAT WASHER (Ø5/16" x 22mm - BLK)		6PCS
4	HALF ROUND NUT (Ø5/16" x 14 x 6.3mm - BLK)		2PCS
5	HEX NUT (Ø5/16" x 12mm - BLK)		8PCS
6	WRENCH (M4 x 88mm - BLK)		1PC
7	ALLEN WRENCH (M4 x 88mm - RBW)		1PC

ITEM: **903095**  
**ASSEMBLY INSTRUCTIONS**

**STEP 1**

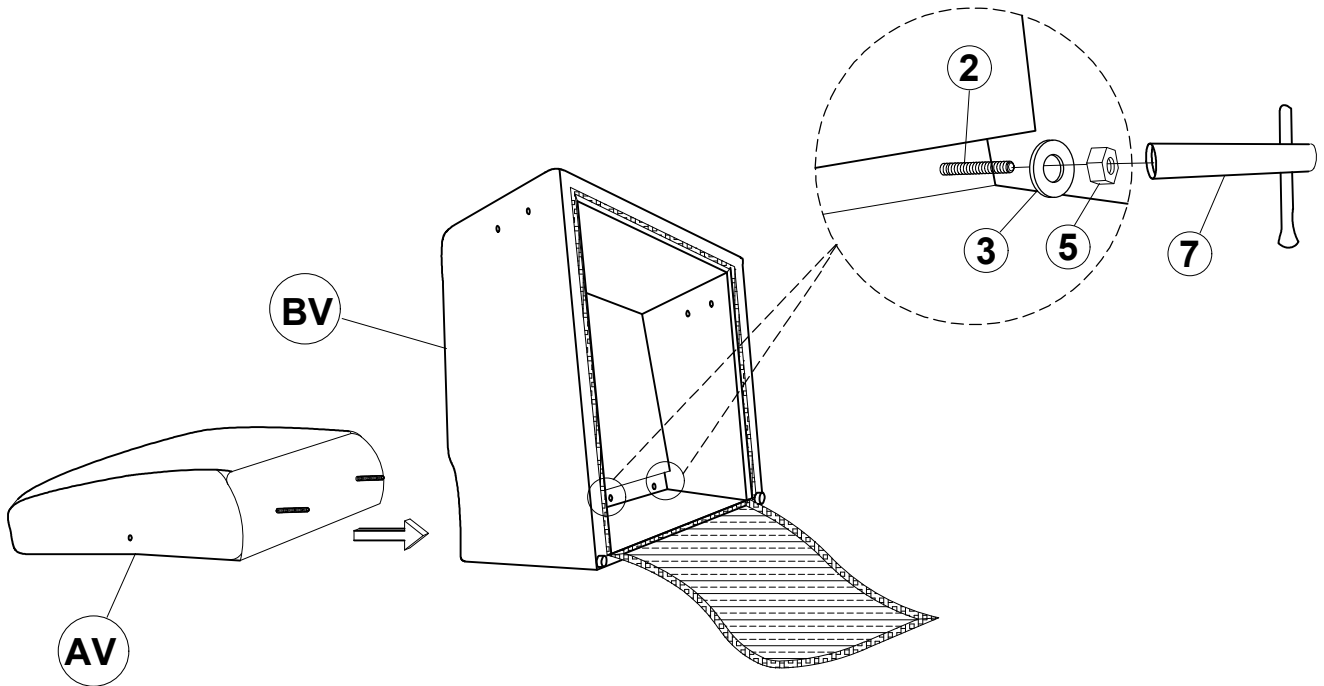


**STEP 2**

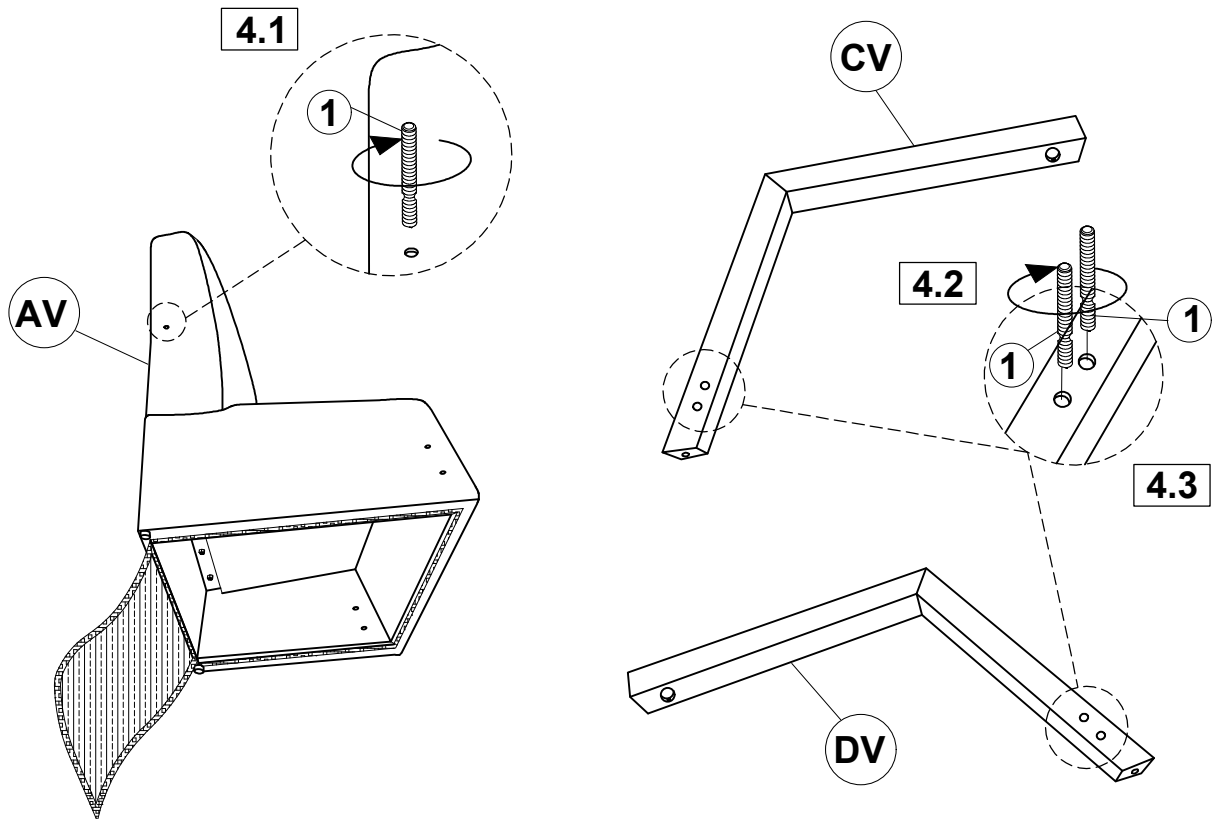


ITEM: **903095**  
**ASSEMBLY INSTRUCTIONS**

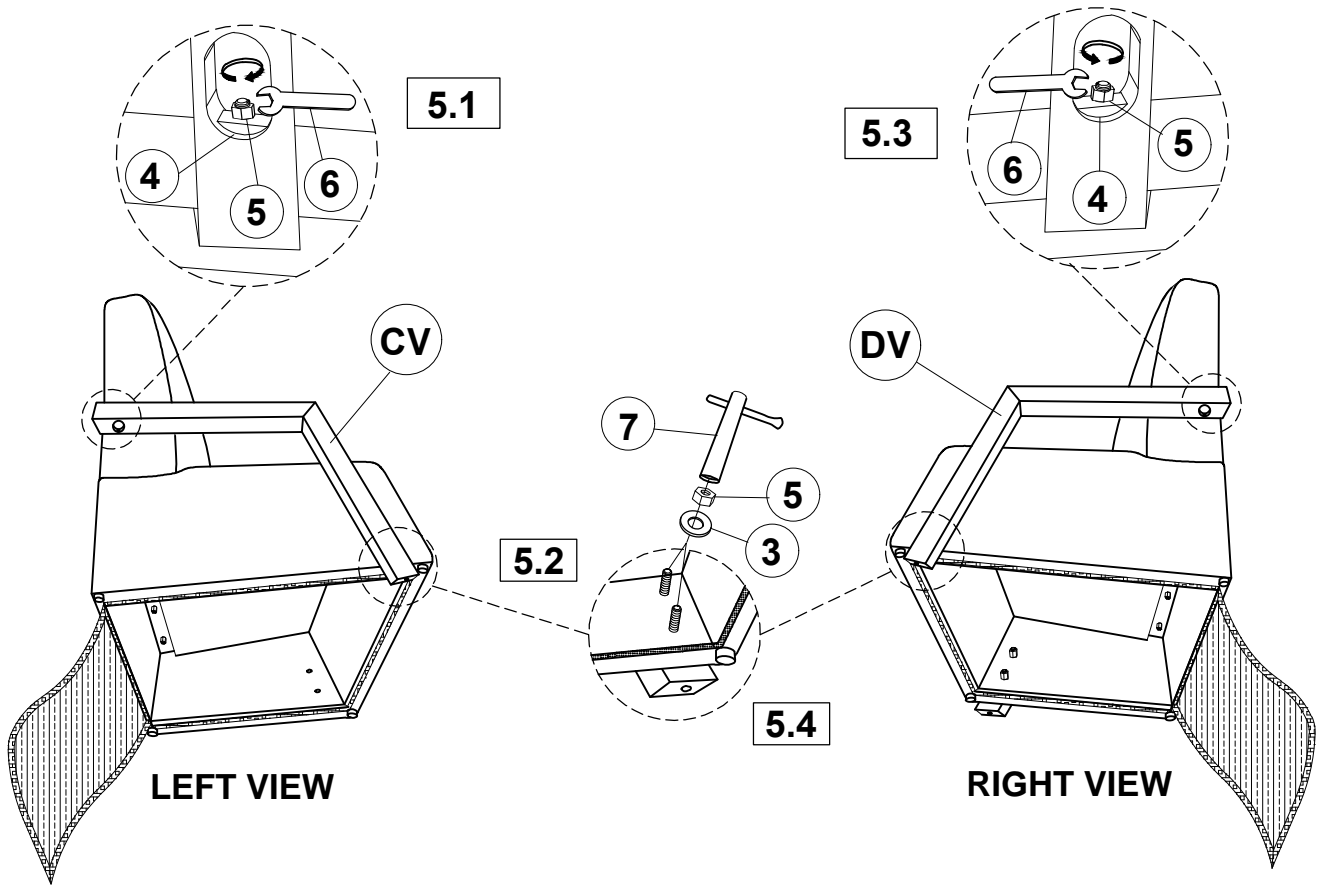
**STEP 3**



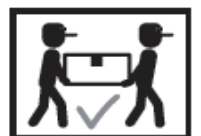
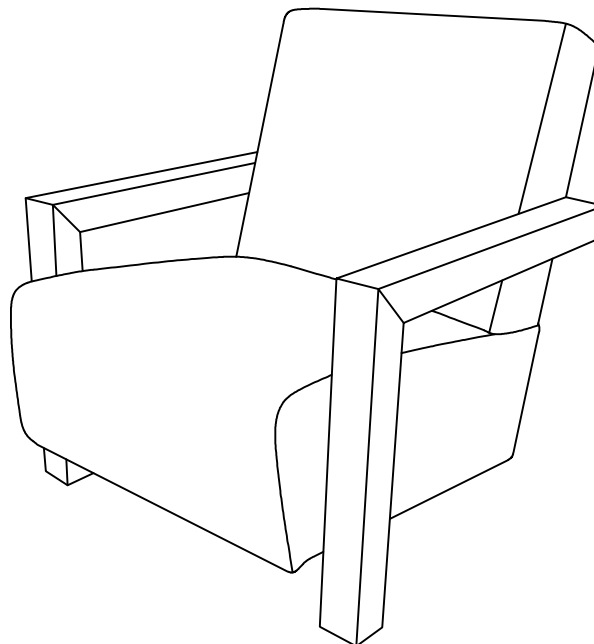
**STEP 4**



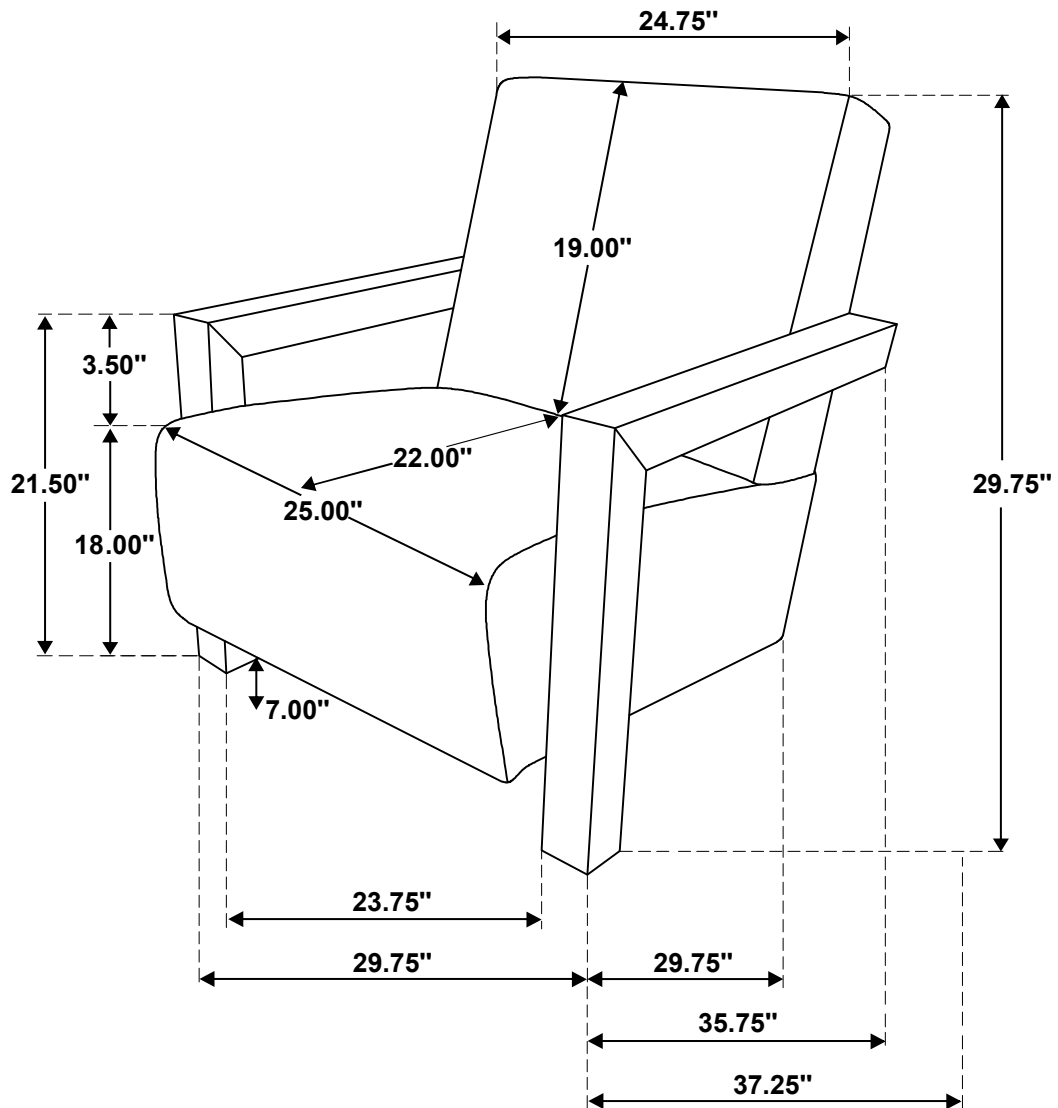
ITEM: **903095**  
**ASSEMBLY INSTRUCTIONS**  
**STEP 5**



**STEP 6**  
**COMPLETE**



ITEM: 903095



**Note: Dimension tolerance  $\pm 5\%$**