

ASSEMBLY INSTRUCTIONS
COASTER FINE FURNITURE



Fine Furniture for every stage of life

907533
Accent Chair

REVISION 0 : 12/11/2024
REVISION 1 : 02/21/2025
REVISION 2 : 02/27/2025
REVISION 3 : 08/28/2025
REVISION 4 : 03/21/2026

ITEM: **907533**



ASSEMBLY INSTRUCTIONS

ASSEMBLY TIPS:

1. Remove hardware from box and sort by size.
2. Please check to see that all hardware and parts are present prior to start of assembly.
3. Please follow attached instructions in the same sequence as numbered to assure fast & easy assembly.



WARNING!

1. Don't attempt to repair or modify parts that are broken or defective. Please contact the store immediately.
2. This product is for home use only and not intended for commercial establishments.

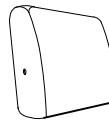


ASSEMBLY TIME

15 MINUTES

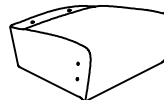
PARTS IDENTIFICATION

AV BACK



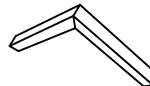
1PC

BV SEAT



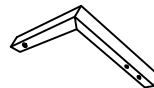
1PC

CV LEFT ARM



1PC

DV RIGHT ARM



1PC

HARDWARE IDENTIFICATION

1 SHORT THREADED BOLT
(Ø5/16" x 70mm - BLK)



6PCS

2 LONG THREADED BOLT
(Ø5/16" x 90mm - BLK)



2PCS

3 FLAT WASHER
(Ø5/16" x 22mm - BLK)



6PCS

4 HALF ROUND NUT
(Ø5/16" x 14 x 6.3mm - BLK)



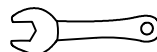
2PCS

5 HEX NUT
(Ø5/16" x 12mm - BLK)



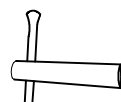
8PCS

6 WRENCH
(M4 x 88mm - BLK)



1PC

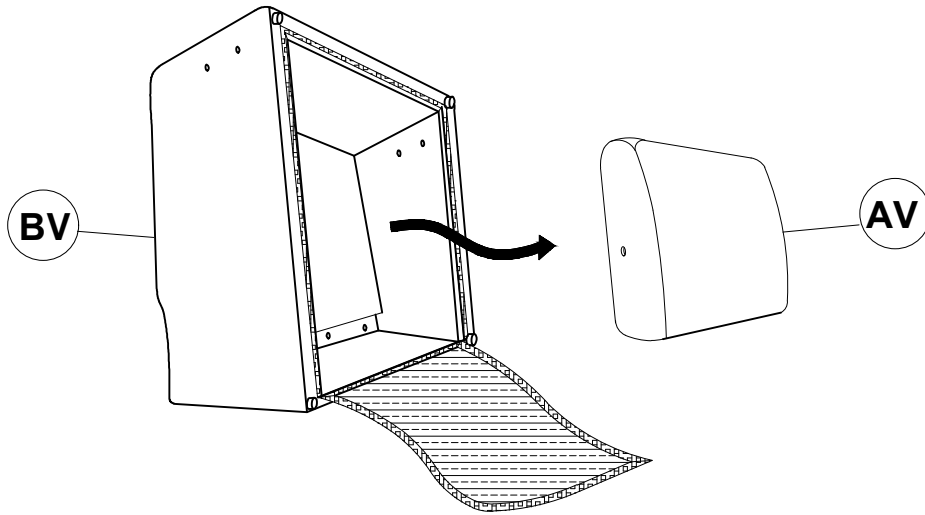
7 ALLEN WRENCH
(M4 x 88mm - RBW)



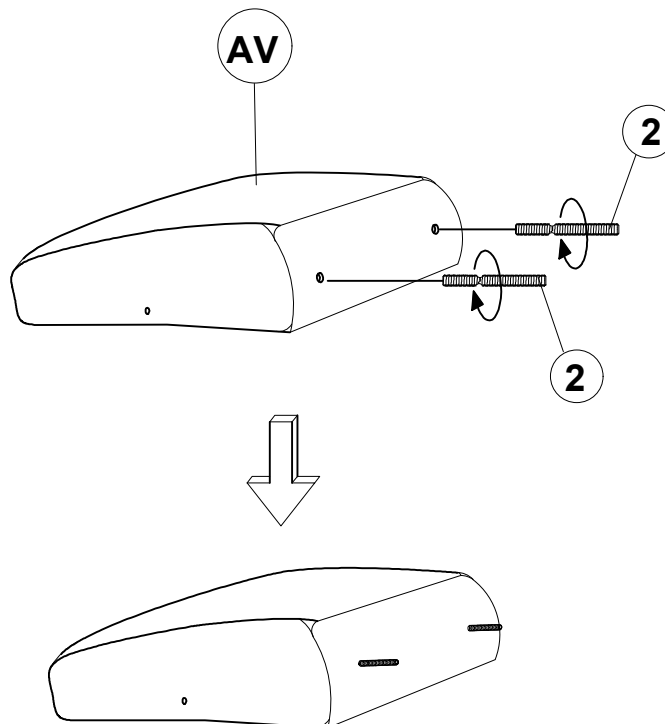
1PC

ITEM: **907533**
ASSEMBLY INSTRUCTIONS

STEP 1

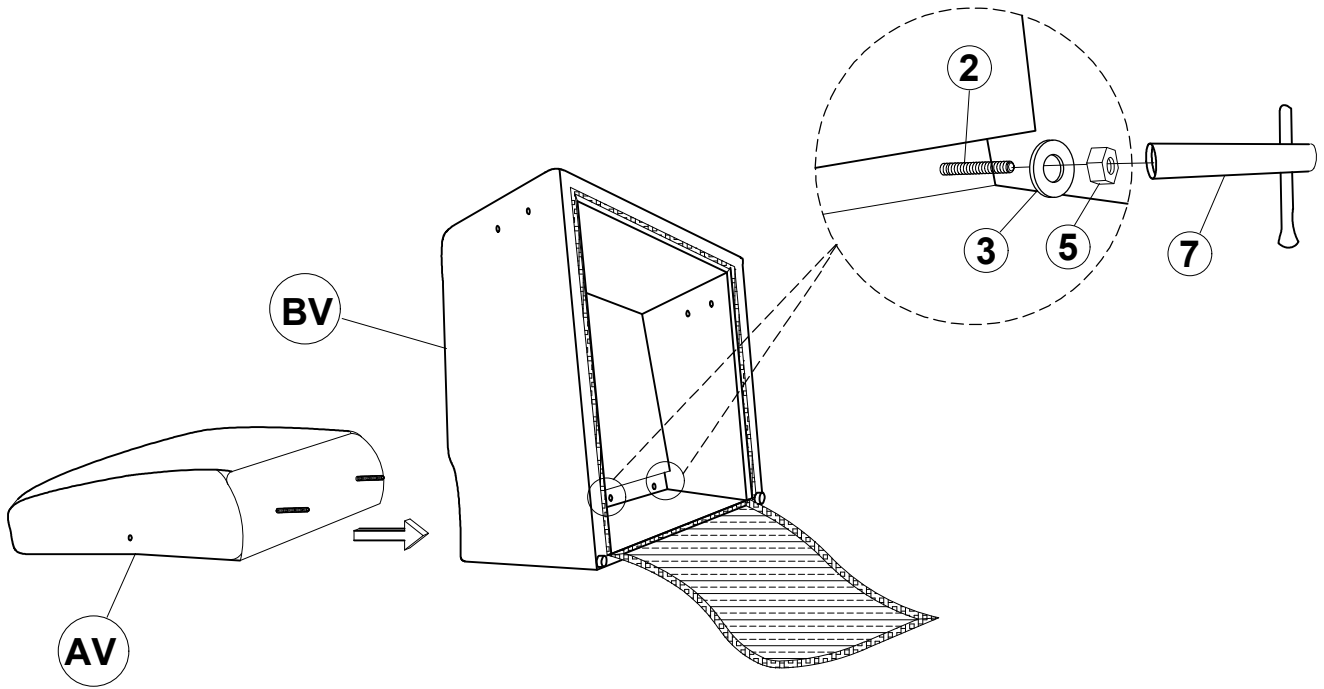


STEP 2

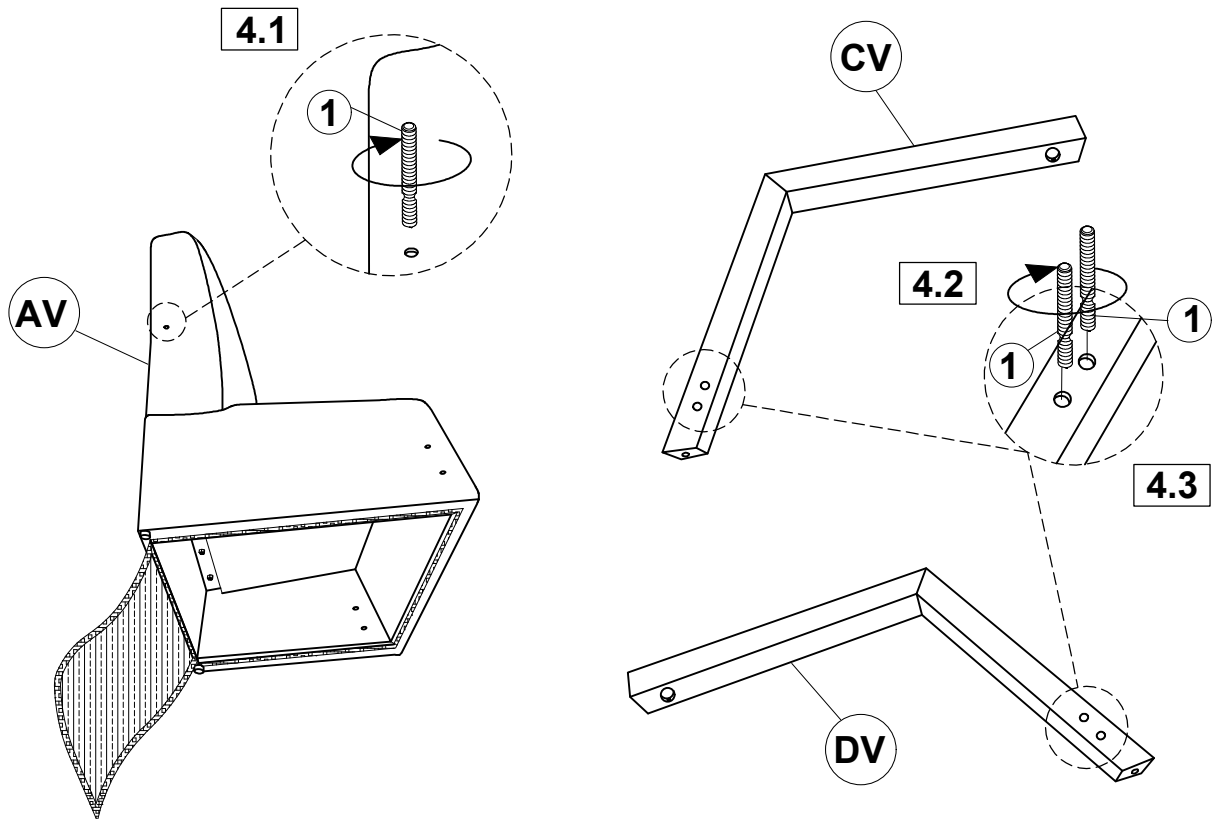


ITEM: **907533**
ASSEMBLY INSTRUCTIONS

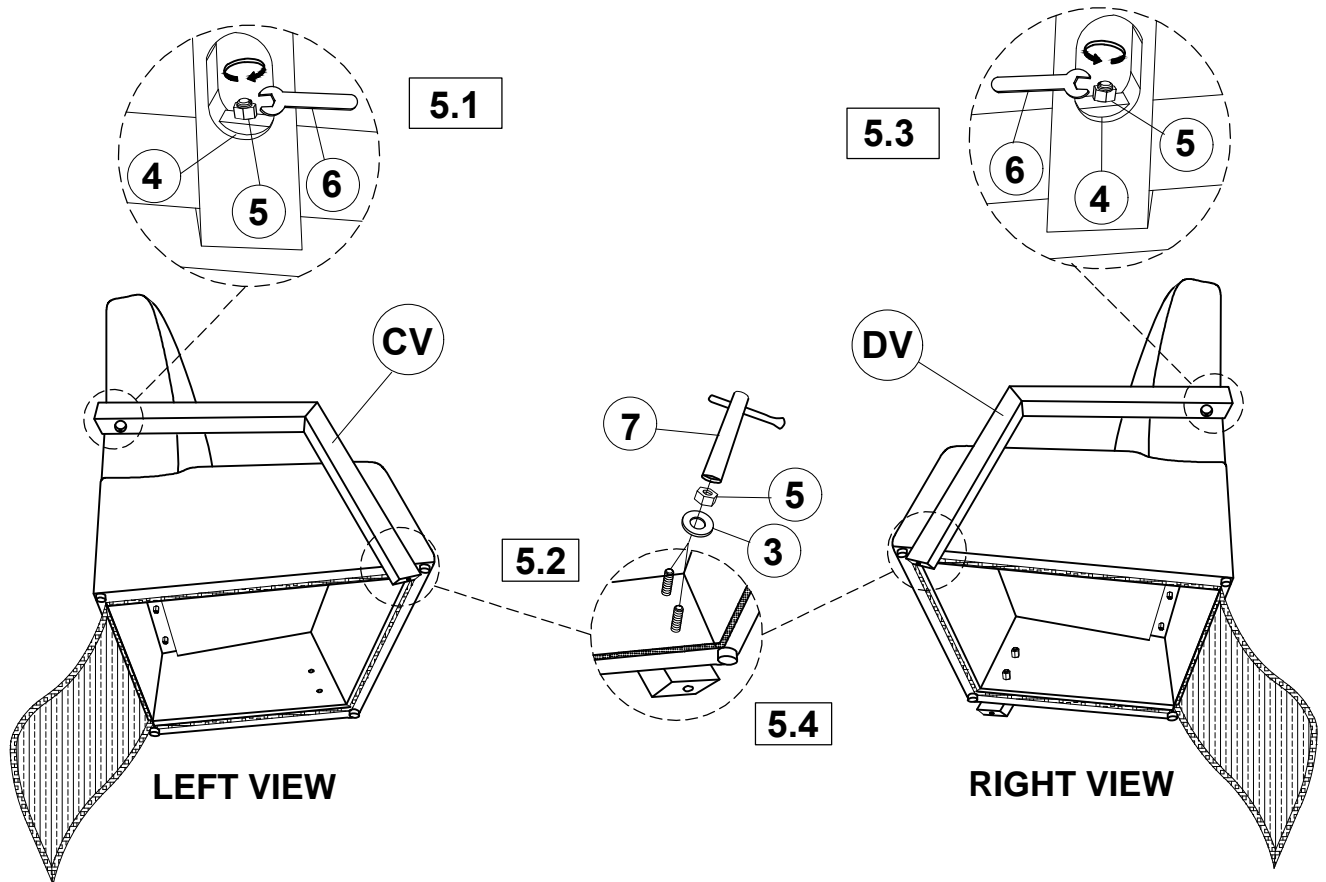
STEP 3



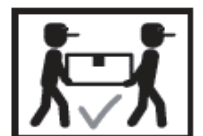
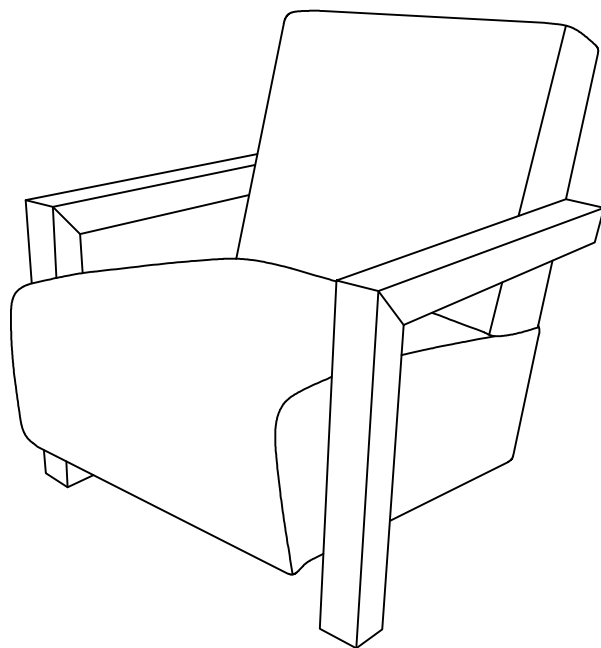
STEP 4



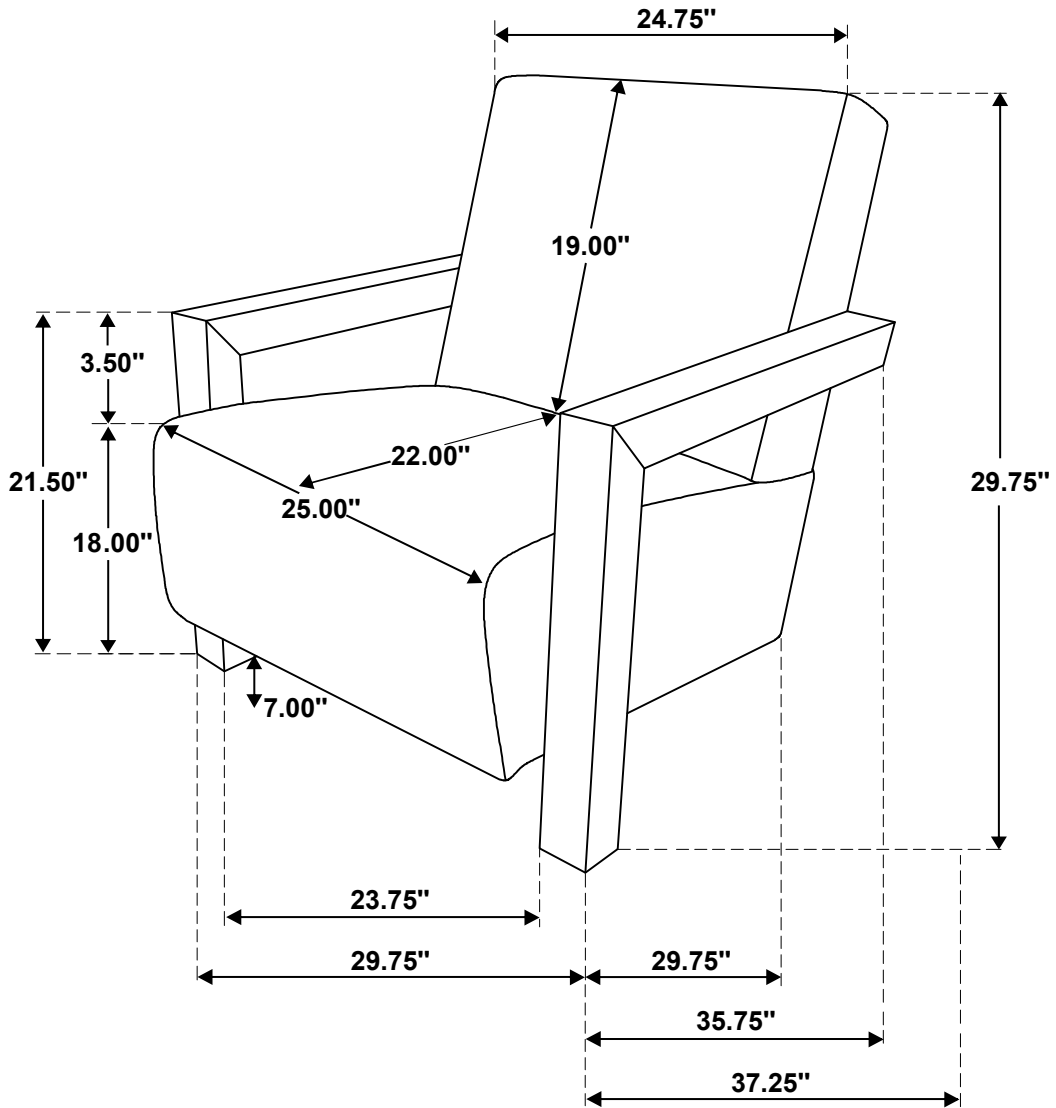
ITEM: **907533**
ASSEMBLY INSTRUCTIONS
STEP 5



STEP 6
COMPLETE



ITEM: 907533



Note: Dimension tolerance $\pm 5\%$