



ASSEMBLY INSTRUCTIONS  
*COASTER FINE FURNITURE*



*Fine Furniture for every stage of life*

600500P  
POWER SECTIONAL

ITEM :600500LLCP



## ASSEMBLY INSTRUCTIONS

### ASSEMBLY TIPS:

- 1.Remove hardware from box and sort by size.
- 2.Please check to see that all hardware and parts are present prior to start of assembly.
- 3.Please follow attached instruction in the same sequence as numbered to assure fast & easy assembly.



#### WARNING!

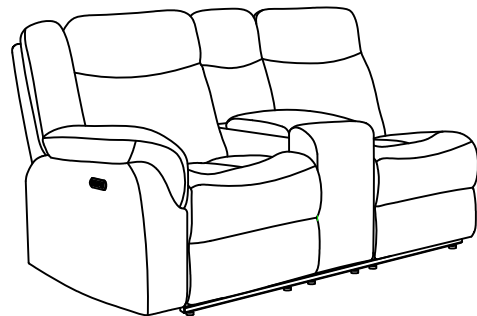
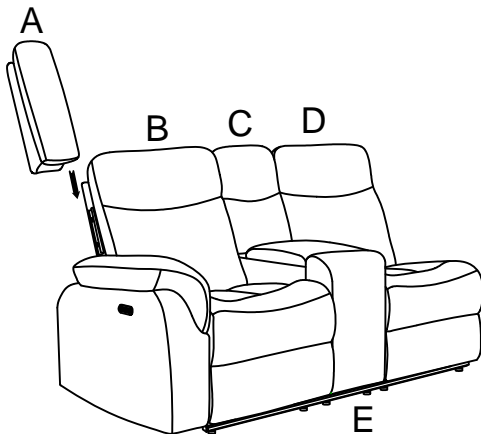
- 1.Don't attempt to repair or modify parts that are broken or defective. Please contact the store immediately.
- 2.This product is for home use only and not intended for commercial establishment.



ASSEMBLY TIME

5 MINUTES

## PARTS IDENTIFICATION



**A LEFT EAR**

**B LEFT BACK**

**C MIDDLE BACK**

**D RIGHT BACK**

**E BASE**

**F PLUG-IN POWER SUPPLY**

**G Y CABLE**



1 PC



1 PC



1 PC



1 PC



1 PC



1 PC

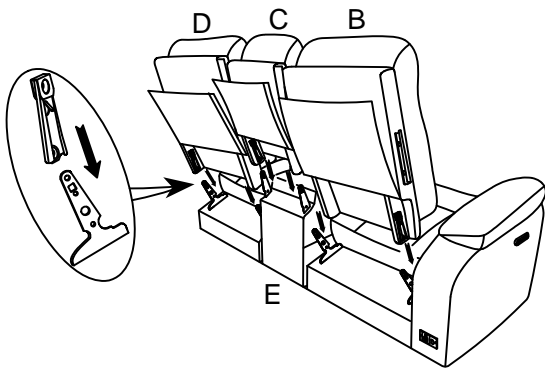


1 PC

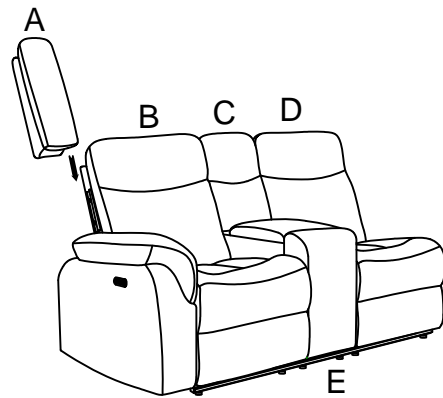
ITEM :600500LLCP  
ASSEMBLY INSTRUCTIONS



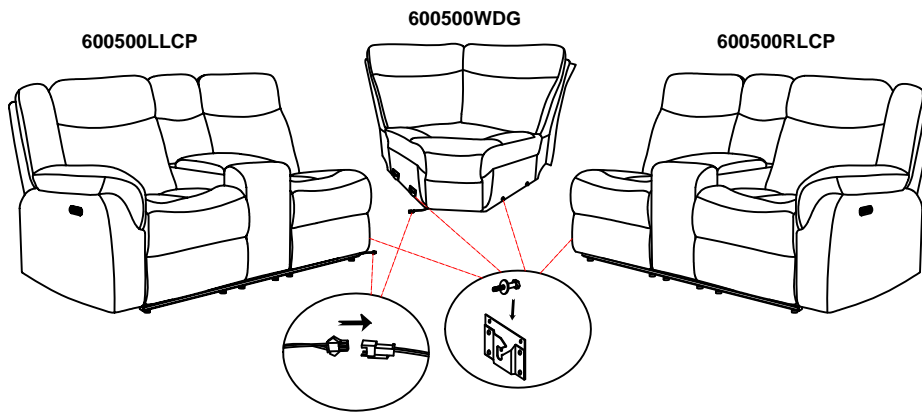
STEP 1



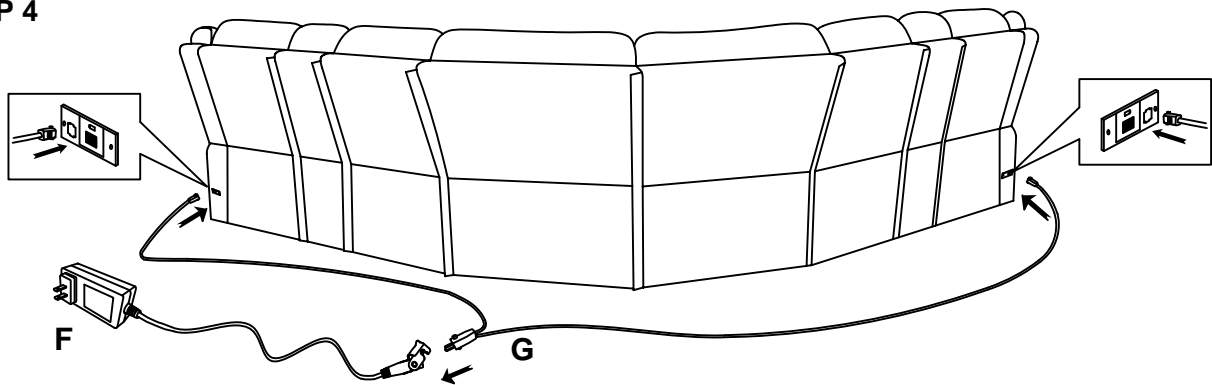
STEP 2



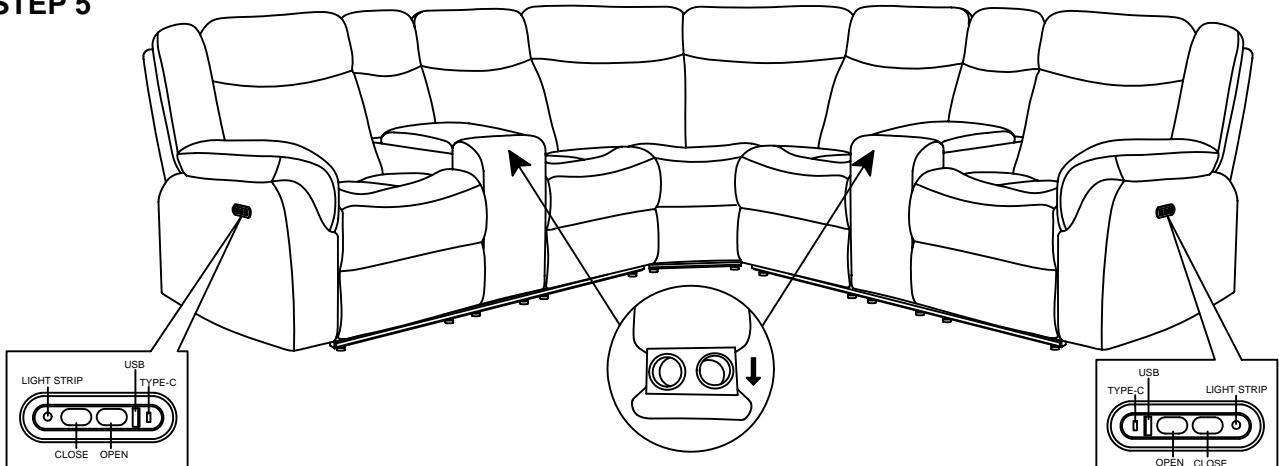
STEP 3



STEP 4



STEP 5



ITEM :600500WDG

### ASSEMBLY INSTRUCTIONS



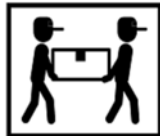
#### ASSEMBLY TIPS:

- 1.Remove hardware from box and sort by size.
- 2.Please check to see that all hardware and parts are present prior to start of assembly.
- 3.Please follow attached instruction in the same sequence as numbered to assure fast & easy assembly.



#### WARNING!

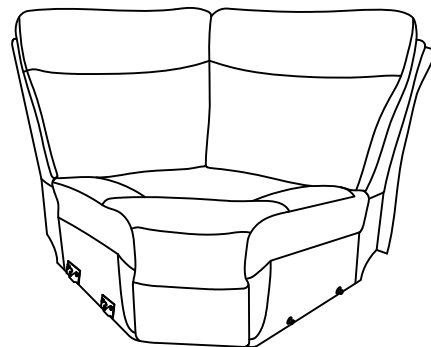
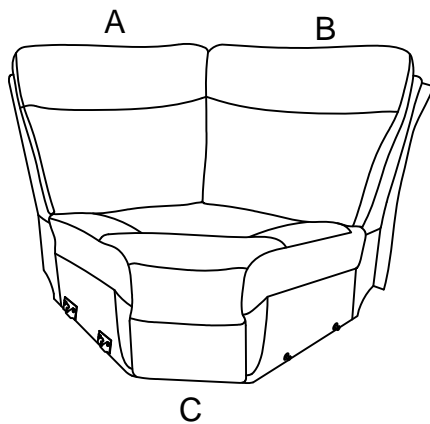
- 1.Don't attempt to repair or modify parts that are broken or defective. Please contact the store immediately.
- 2.This product is for home use only and not intended for commercial establishment.



ASSEMBLY TIME

5 MINUTES

### PARTS IDENTIFICATION



**A LEFT BACK**



**1 PC**

**B RIGHT BACK**



**1 PC**

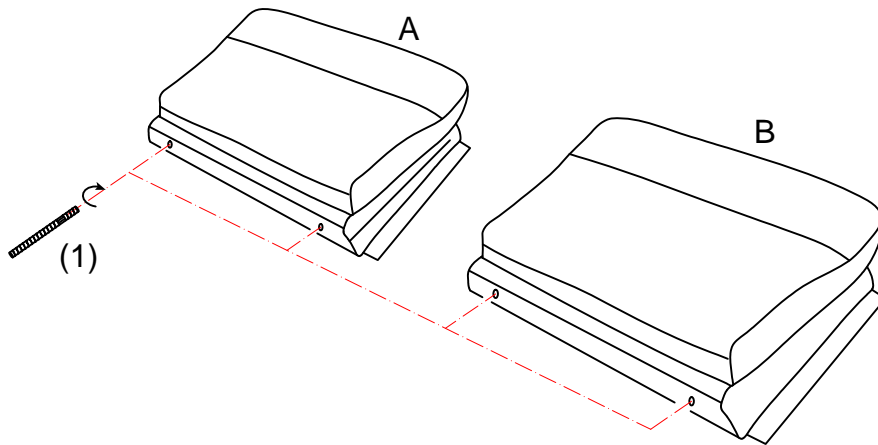
**C BASE OF WEDGE**



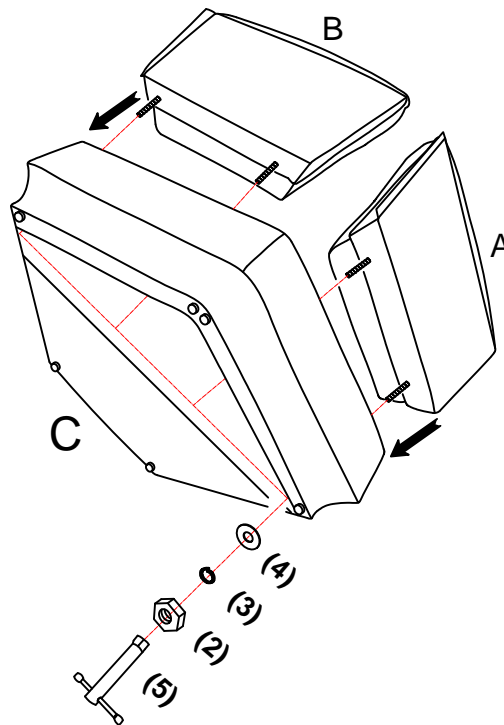
**1 PC**

Z	HARDWARE PACKAGE		
NO	DESCRIPTION	FIGURE	QTY
1	THREADED RODS 5/16" * 100mm		4PCS
2	HEXAGON NUTS 5/16" * 13.5mm		4PCS
3	LOCK WASHER 5/16" * 13mm		4PCS+1PC SPARE
4	FLAT WASHER 5/16" * 19mm		4PCS+1PC SPARE
5	WRENCH 5/16"		1PC

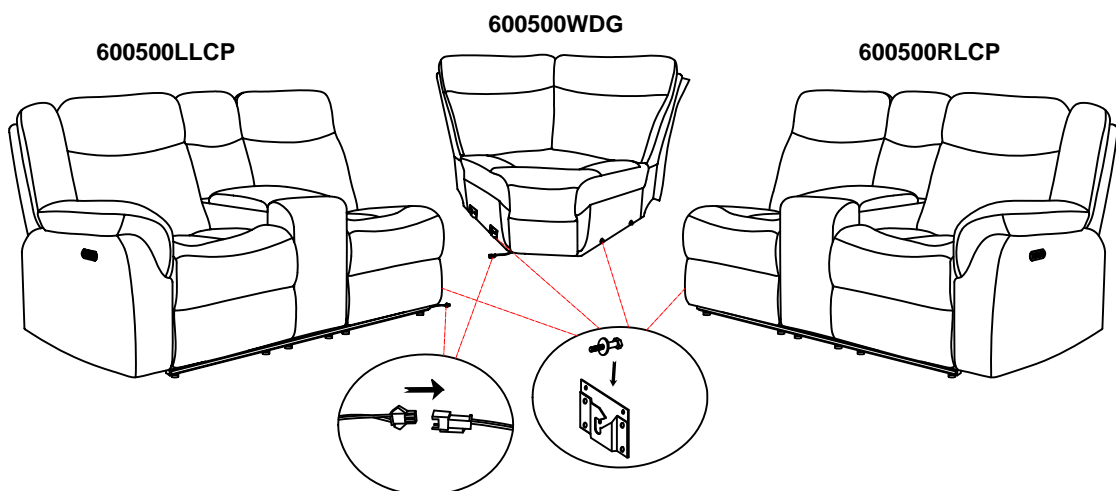
**STEP 1**



**STEP 2**



**STEP 3**



ITEM :600500RLCP

## ASSEMBLY INSTRUCTIONS



### ASSEMBLY TIPS:

- 1.Remove hardware from box and sort by size.
- 2.Please check to see that all hardware and parts are present prior to start of assembly.
- 3.Please follow attached instruction in the same sequence as numbered to assure fast & easy assembly.



#### WARNING!

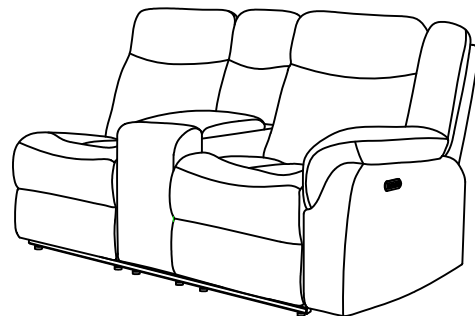
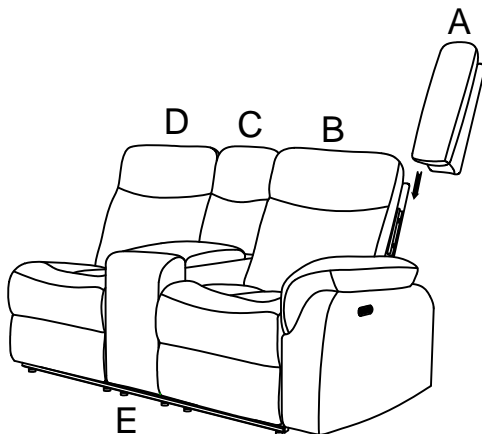
- 1.Don't attempt to repair or modify parts that are broken or defective. Please contact the store immediately.
- 2.This product is for home use only and not intended for commercial establishment.



ASSEMBLY TIME

5 MINUTES

## PARTS IDENTIFICATION



**A RIGHT EAR**



**1 PC**

**B RIGHT BACK**



**1 PC**

**C MIDDLE BACK**



**1 PC**

**D LEFT BACK**



**1 PC**

**E BASE**

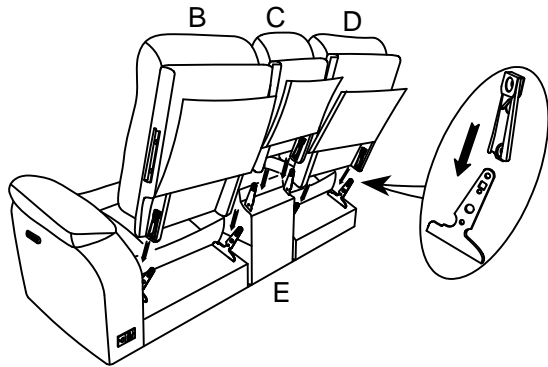


**1 PC**

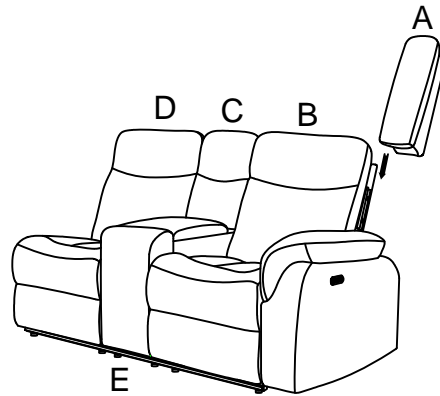
**ITEM :600500RLCP**  
**ASSEMBLY INSTRUCTIONS**



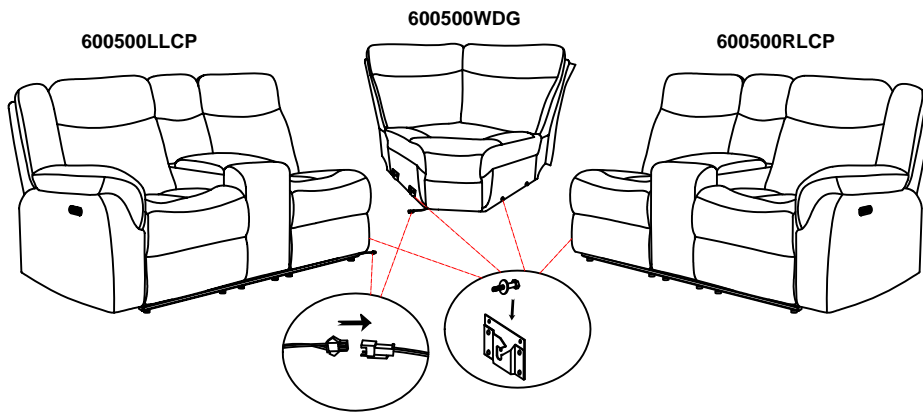
**STEP 1**



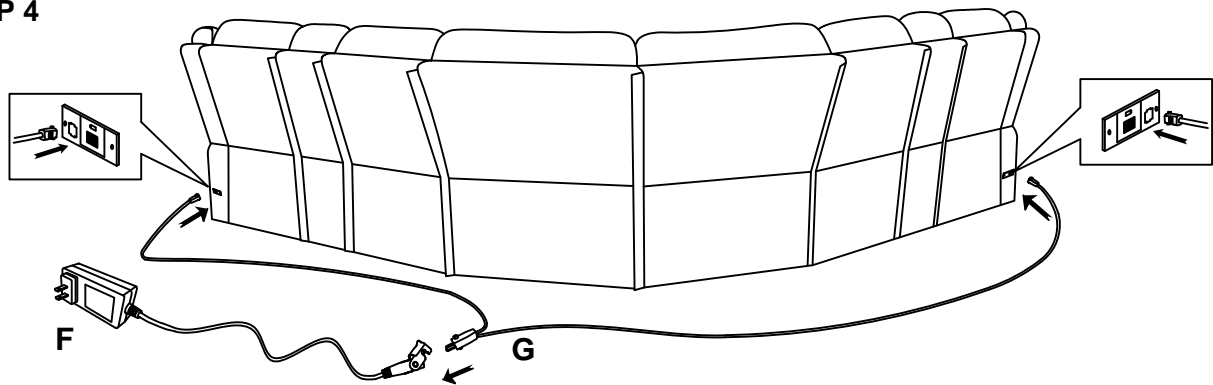
**STEP 2**



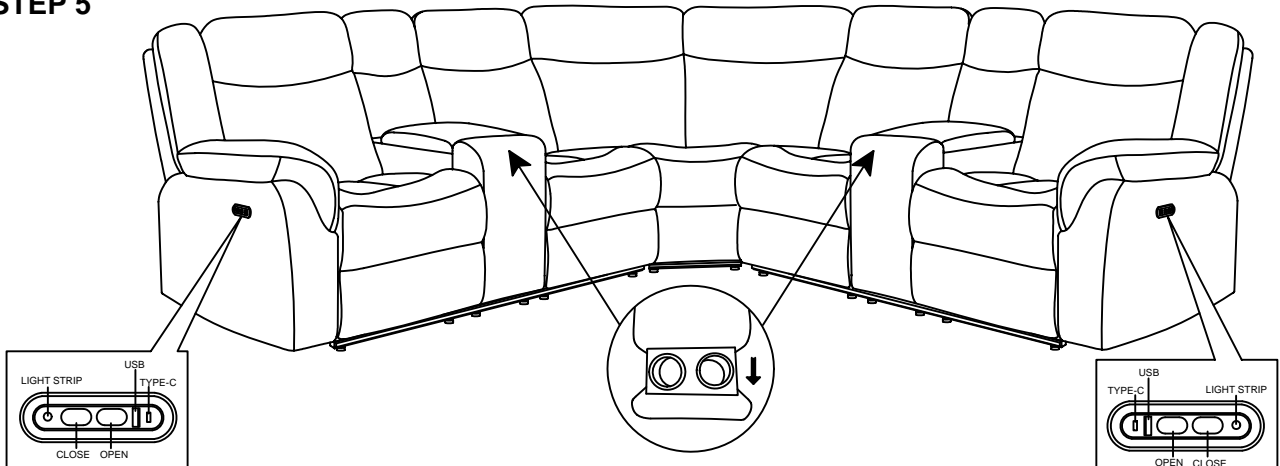
**STEP 3**



**STEP 4**



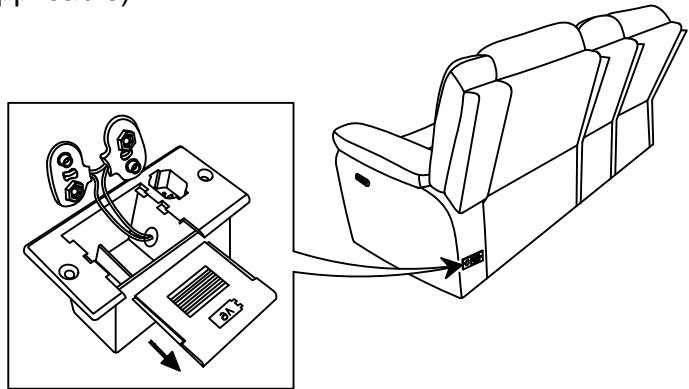
**STEP 5**



Please follow below steps to install the 9V batteries when there is no power to operate the motion sofa.(Any model of 9V battery is applicable)

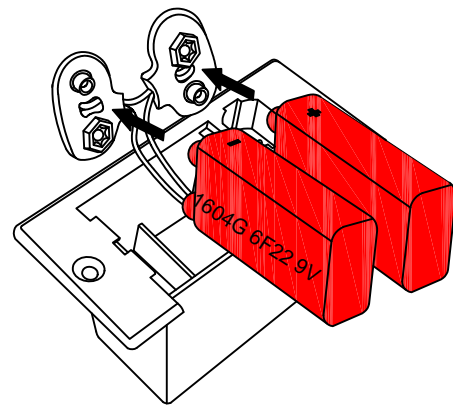
**STEP 1**

Open the marked battery door on the backup battery box.



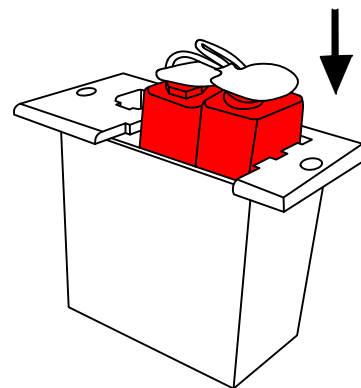
**STEP 2**

Install two 9V batteries in the backup battery box.(batteries are not included)



**STEP 3**

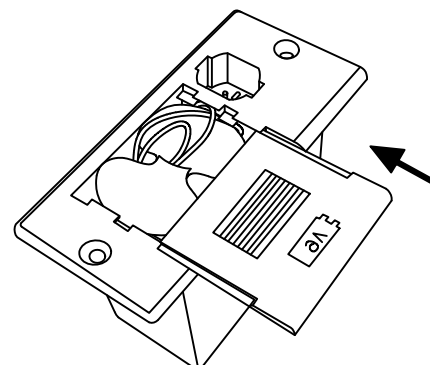
Push the batteries in.



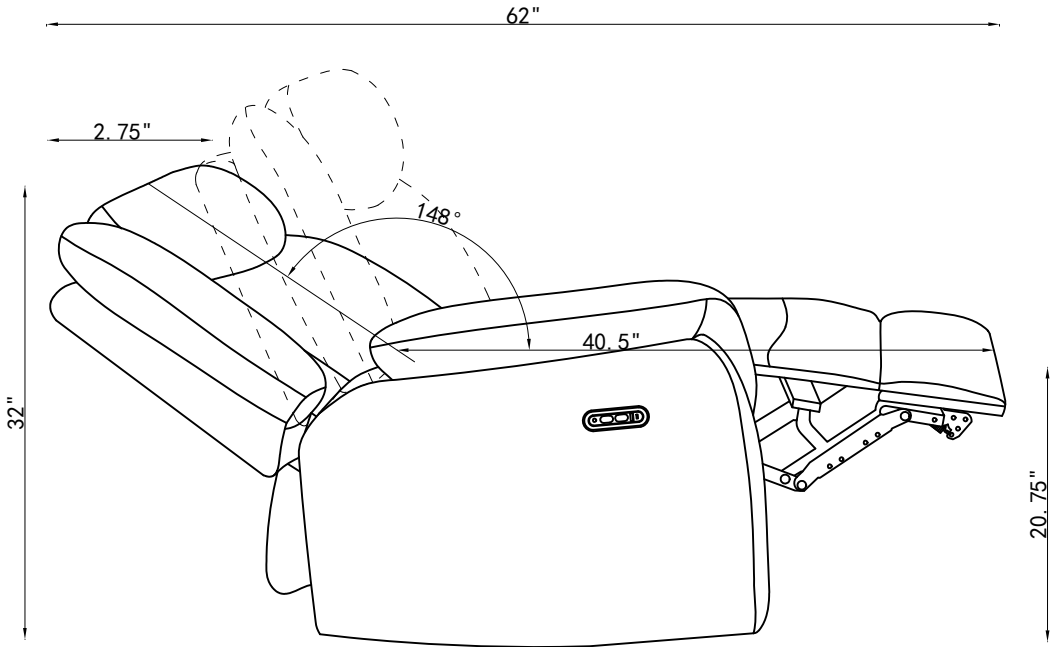
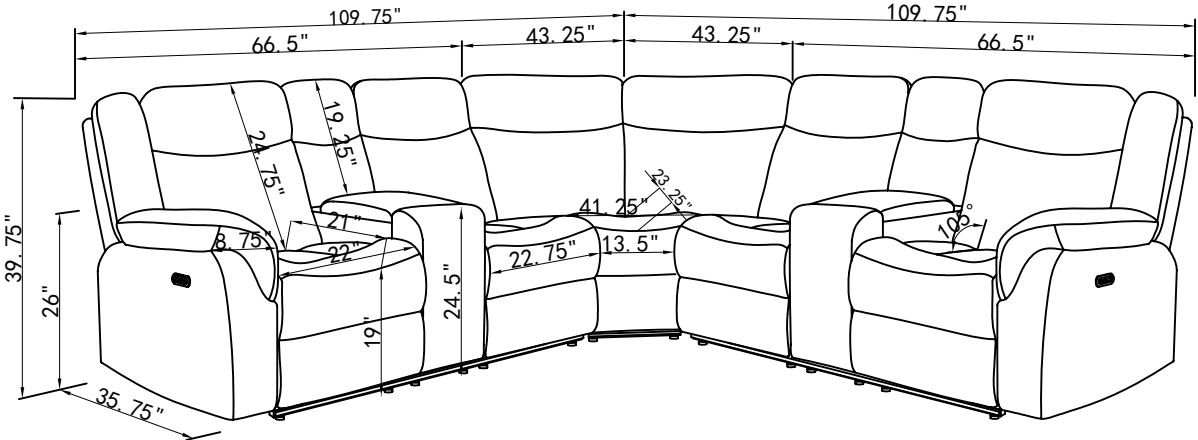
**STEP 4**

Close the box door.

Notice: Please don't keep the battery in the box when the power motion sofa is under daily use with power supply.



# 600500P



Note: Dimension tolerance  $\pm 5\%$

