

*ASSEMBLY INSTRUCTIONS*  
*COASTER FINE FURNITURE*



*Fine Furniture for every stage of life*

**800798(B1&B2)**  
**Writing Desk**

# ITEM: 800798(B1&B2)

## ASSEMBLY INSTRUCTIONS



### ASSEMBLY TIPS:

1. Remove hardware from box and sort by size.
2. Please check to see that all hardware and parts are present prior to start of assembly.
3. Please follow attached instructions in the same sequence as numbered to assure fast & easy assembly.



### WARNING!

1. Don't attempt to repair or modify parts that are broken or defective. Please contact the store immediately.
2. This product is for home use only and not intended for commercial establishments.



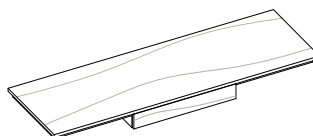
ASSEMBLY TIME

15 MINUTES

## PARTS IDENTIFICATION

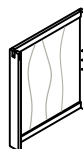
### B1(BOX 1)

A TOP PANEL



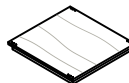
1PC

C BACK PANEL



1PC

D BOTTOM PANEL



1PC

E RIGHT SIDE APRON



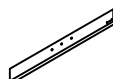
1PC

F LEFT SIDE APRON



1PC

G RIGHT LEG



1PC

H LEFT LEG



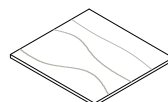
1PC

I FRONT APRON



1PC

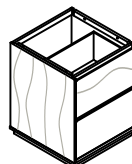
J SHELF PANEL



1PC

### B2(BOX 2)

B LEFT CABINET



1PC

# ITEM: 800798(B1&B2)

## ASSEMBLY INSTRUCTIONS



### ASSEMBLY TIPS:

1. Remove hardware from box and sort by size.
2. Please check to see that all hardware and parts are present prior to start of assembly.
3. Please follow attached instructions in the same sequence as numbered to assure fast & easy assembly.



### WARNING!

1. Don't attempt to repair or modify parts that are broken or defective. Please contact the store immediately.
2. This product is for home use only and not intended for commercial establishments.

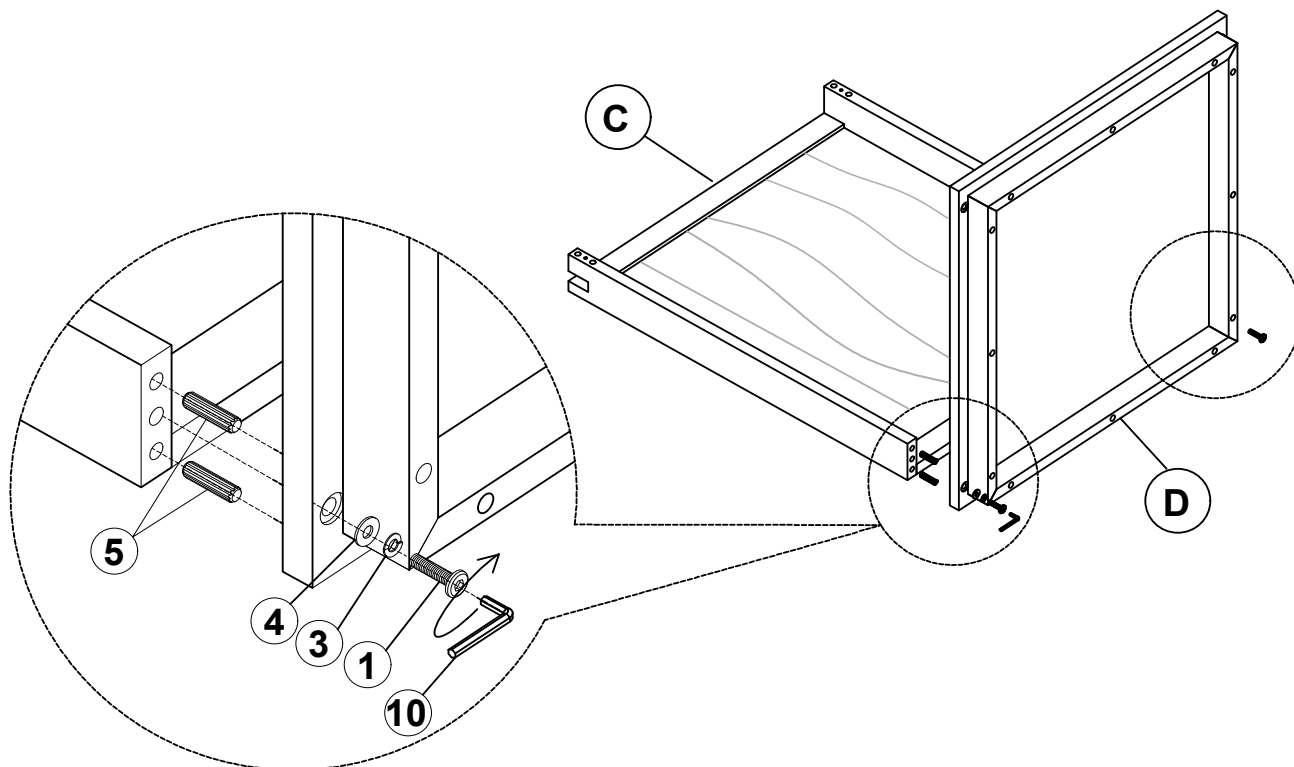
## HARDWARE IDENTIFICATION

### Z- B1(BOX 1) - HARWARE PACK IS LOCATED IN 800798(B1)

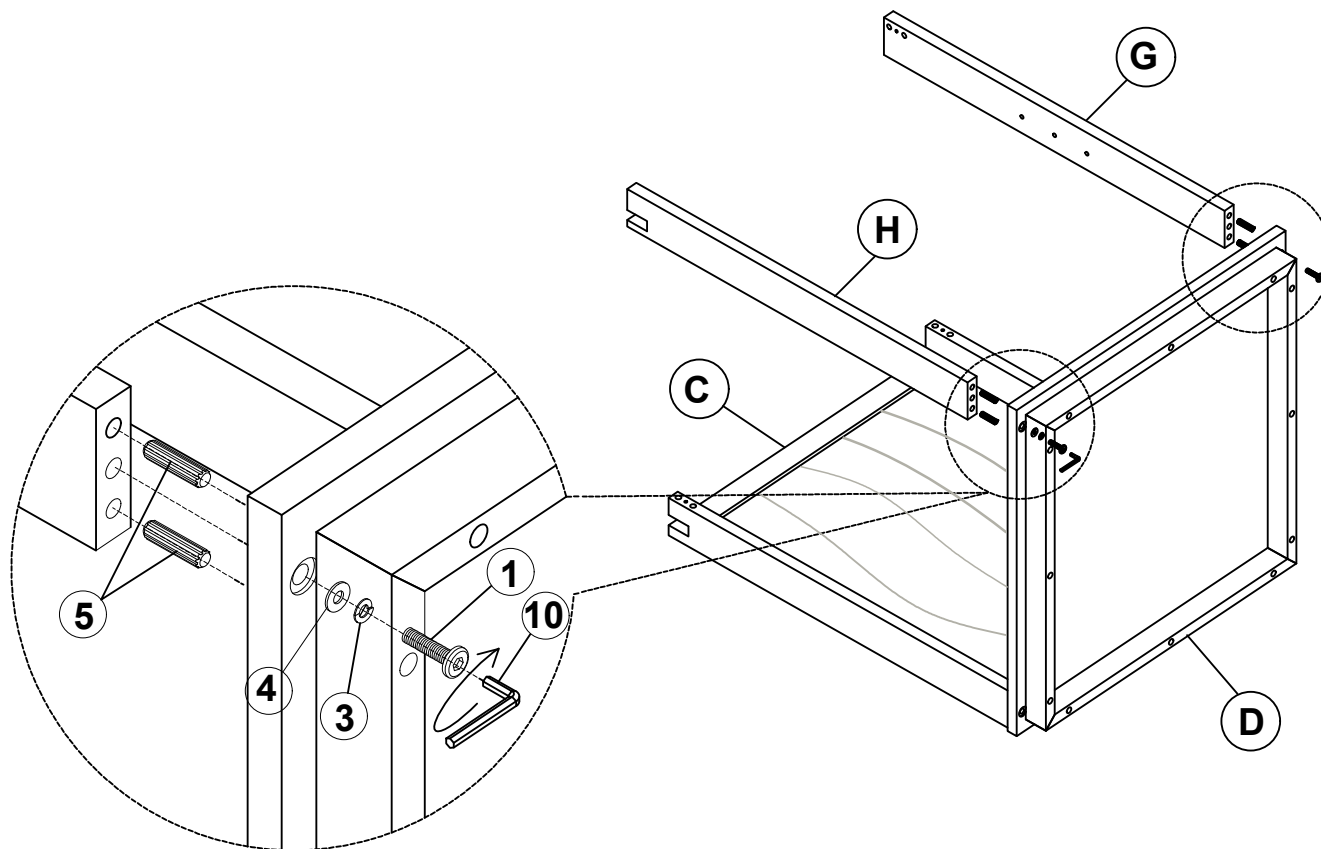
1	<b>LONG BOLT</b> (Ø1/4" x 1 1/2" - BLK)		4PCS
2	<b>SHORT BOLT</b> (Ø1/4" x 1 3/16" - BLK)		8PCS
3	<b>LOCK WASHER</b> (Ø1/4" x 16mm - BLK)		12PCS
4	<b>FLAT WASHER</b> (Ø1/4" - BLK )		12PCS
5	<b>WOOD DOWEL</b> (Ø5/16" x 1 1/4")		20PCS
6	<b>CAM NUT</b> (Ø15 x 12mm - SR)		6PCS
7	<b>CAM BOLT</b> (Ø6 x 32mm - SR)		6PCS
8	<b>SHELF SUPPORT</b> (1 x 19mm - BLK)		4PCS
9	<b>FLAT HEAD SCREW</b> (5/8" x 15mm - BLK)		4PCS
10	<b>ALLEN WRENCH</b> (4 x 59mm - BLK)		1PC

ITEM: **800798(B1&B2)**  
**ASSEMBLY INSTRUCTIONS**

**STEP 1**



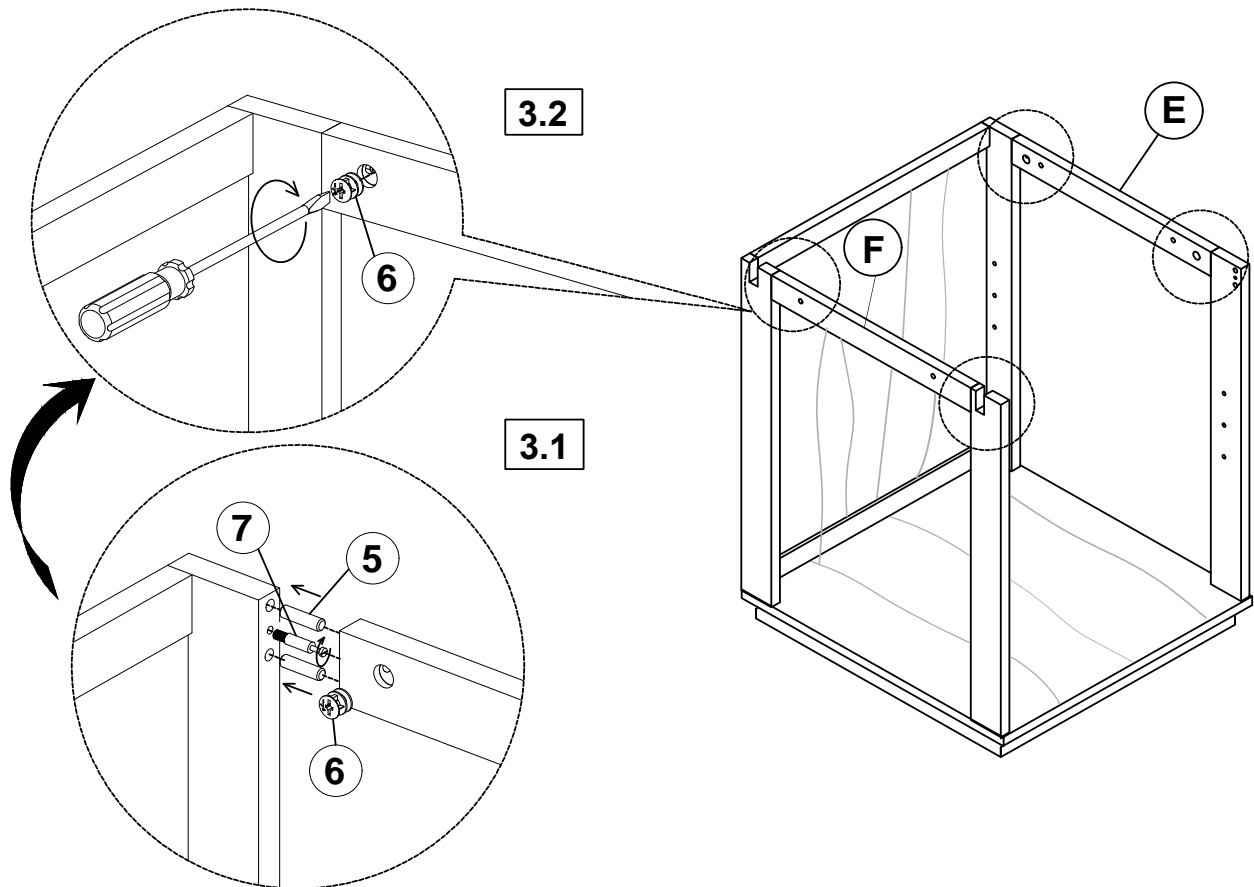
**STEP 2**



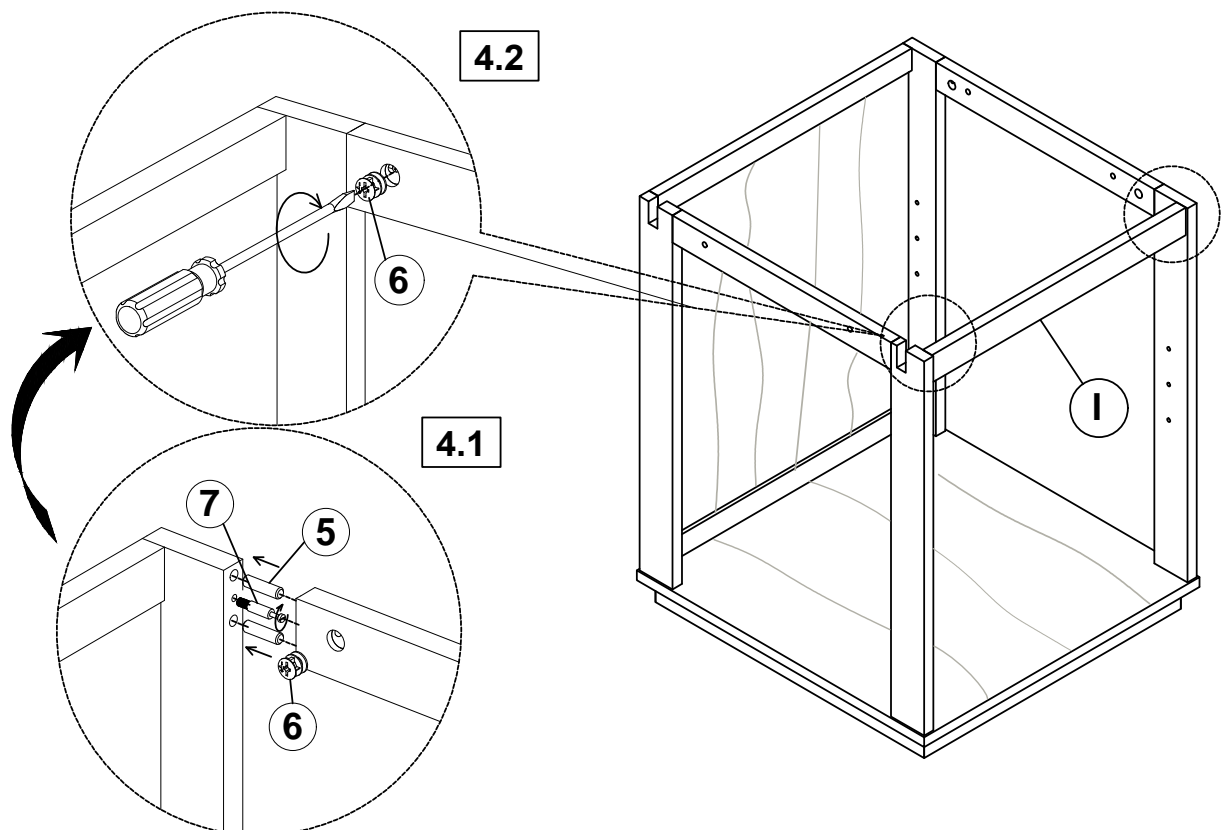
# ITEM: 800798(B1&B2)

## ASSEMBLY INSTRUCTIONS

### STEP 3

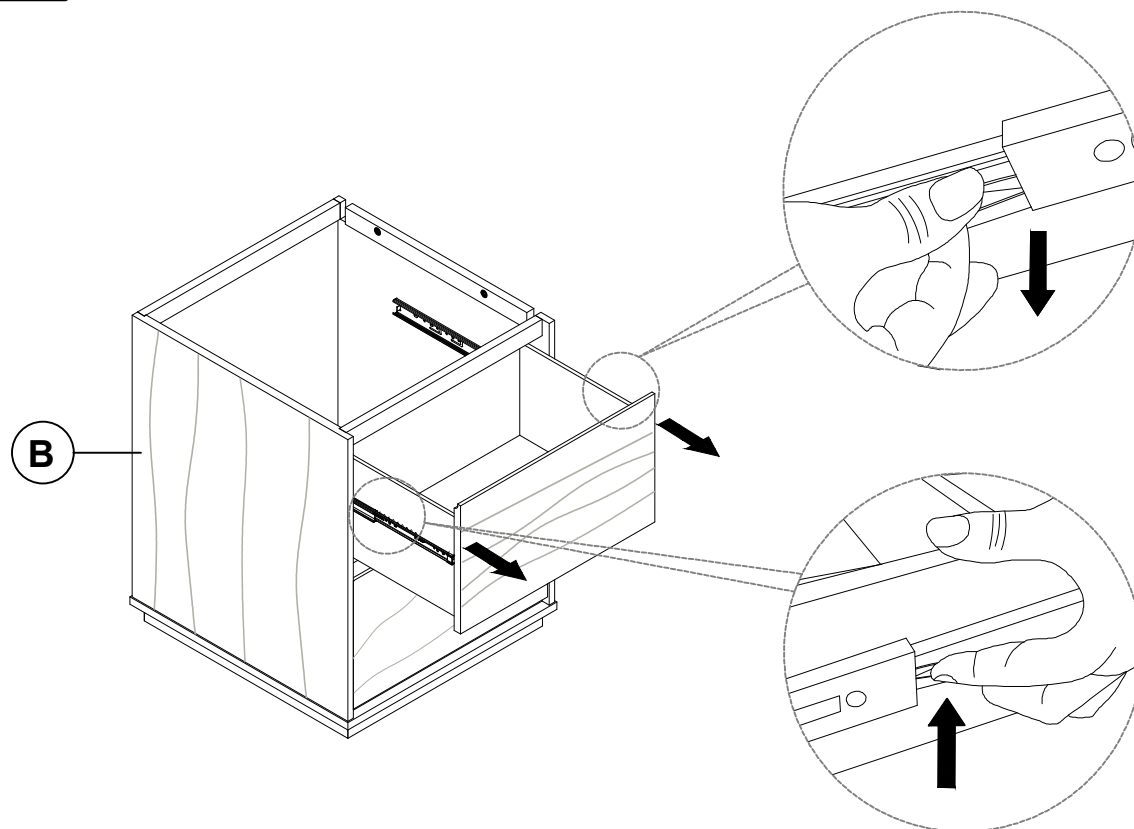


### STEP 4

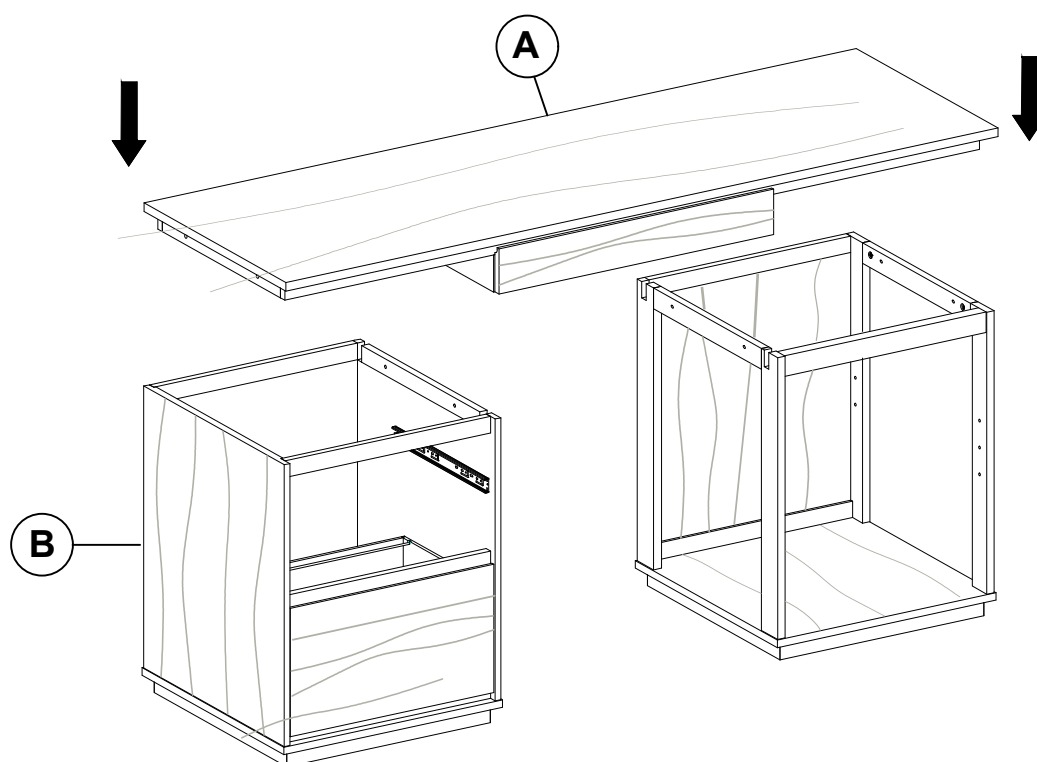


ITEM: **800798(B1&B2)**  
**ASSEMBLY INSTRUCTIONS**

**STEP 5**

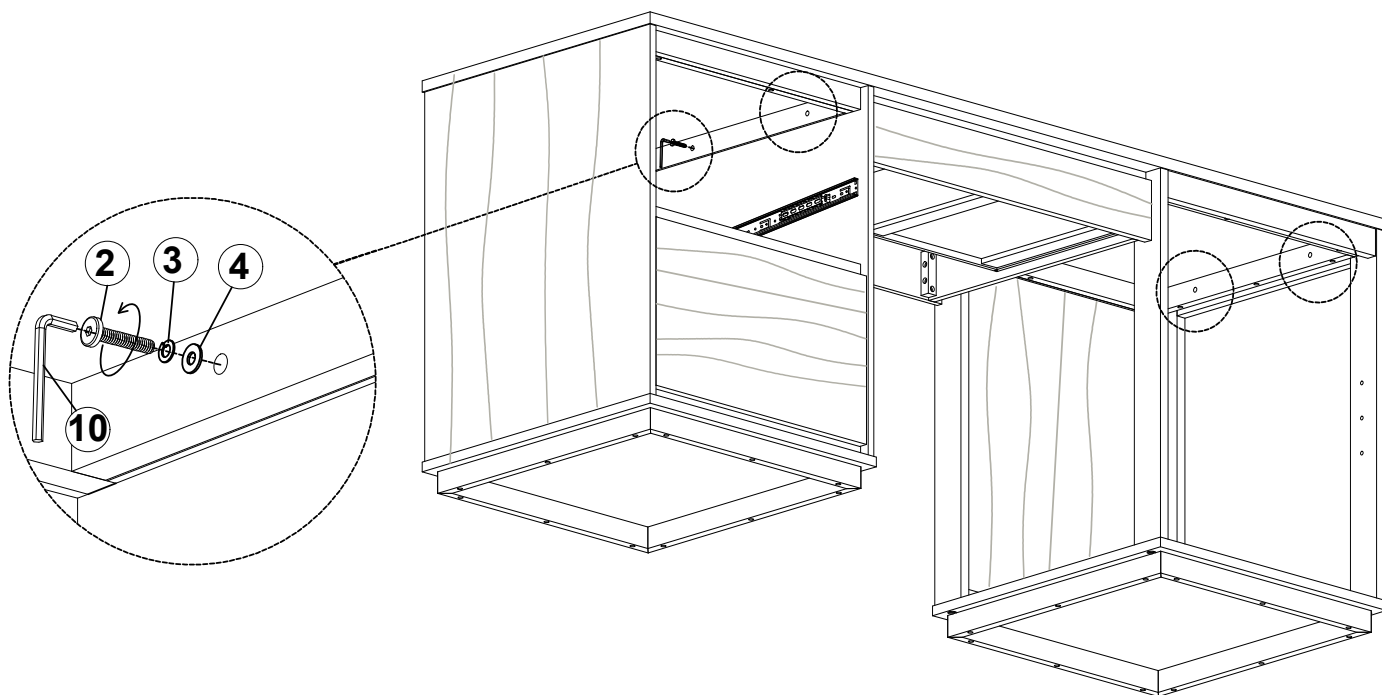


**STEP 6**

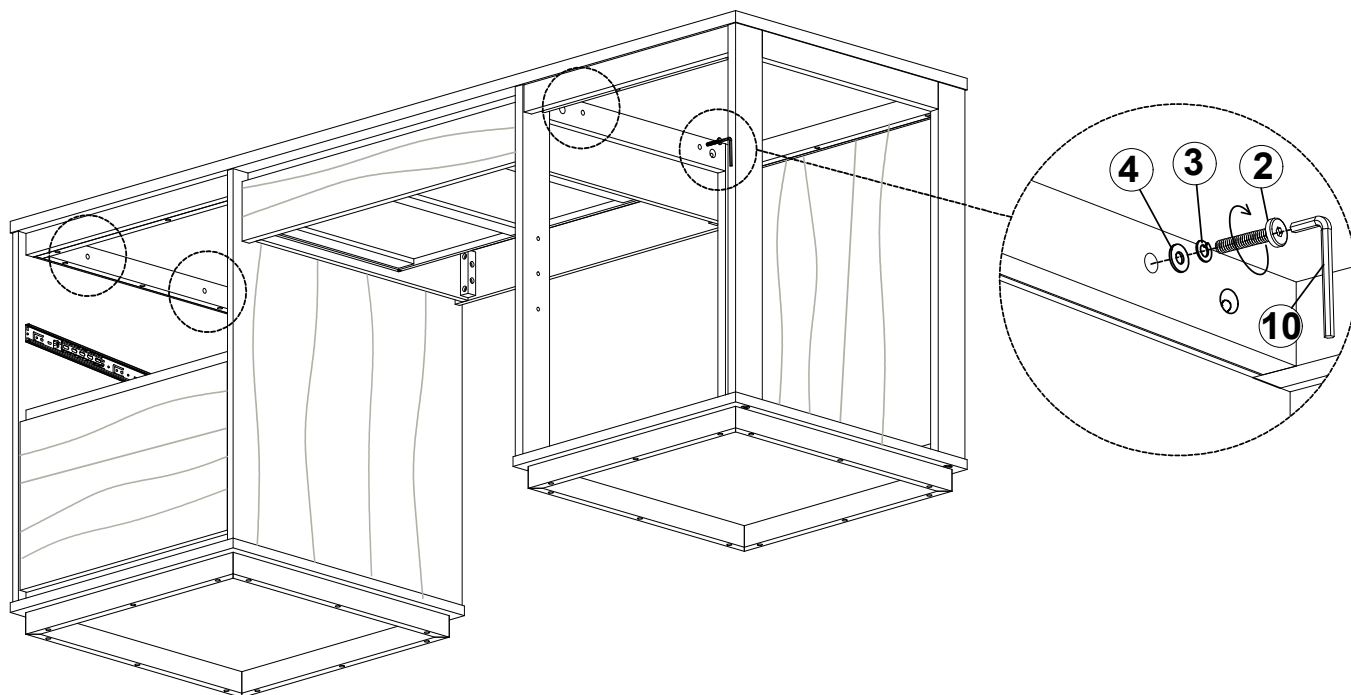


ITEM: **800798(B1&B2)**  
**ASSEMBLY INSTRUCTIONS**

**STEP 7**



**VIEW FROM THE LEFT**

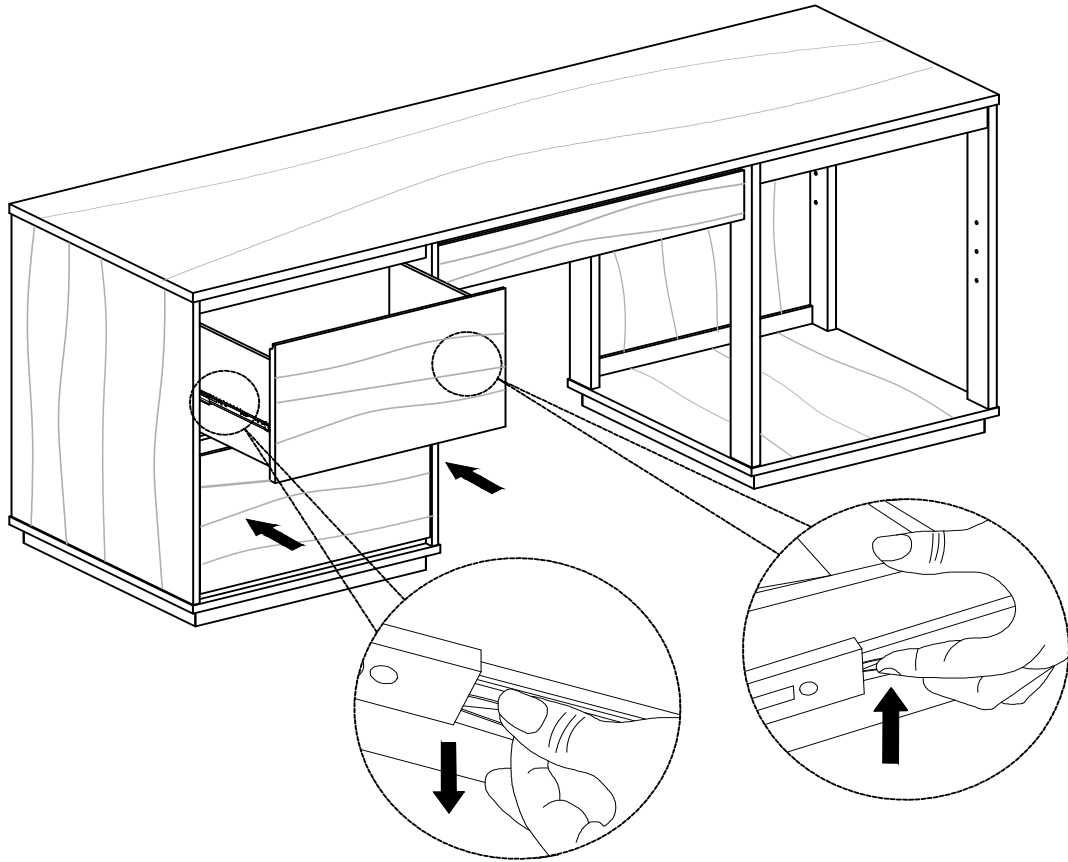


**VIEW FROM THE RIGHT**

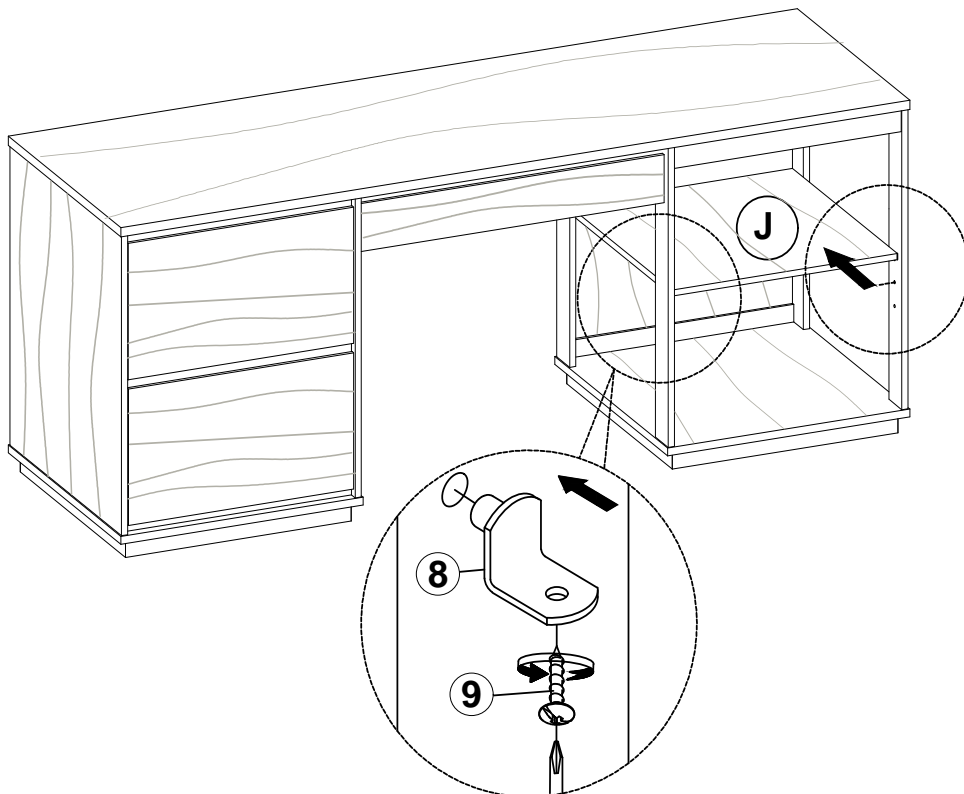
ITEM: **800798(B1&B2)**

ASSEMBLY INSTRUCTIONS

**STEP 8**



**STEP 9**

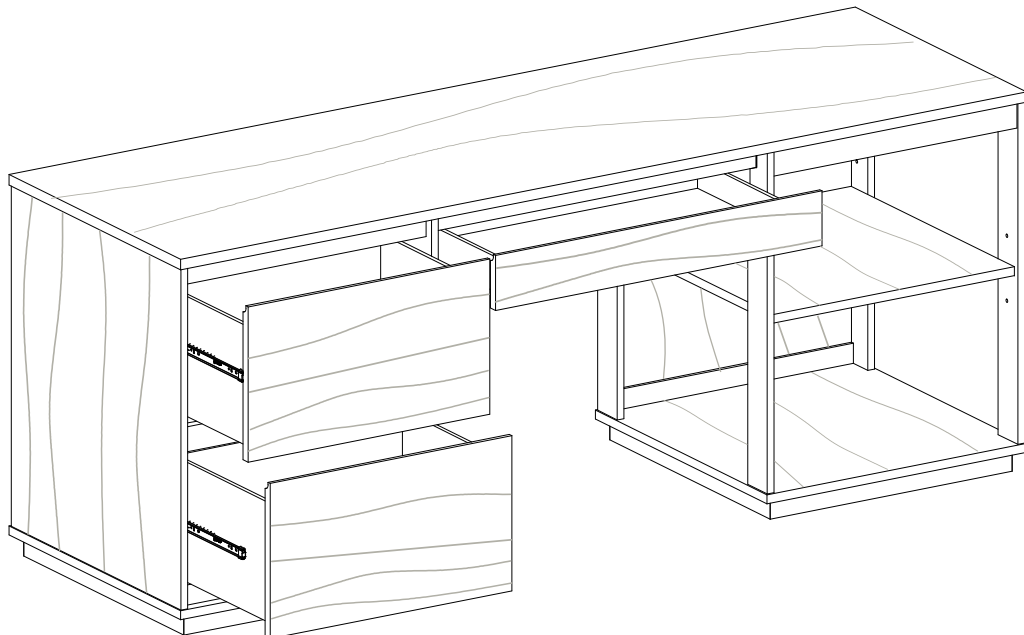
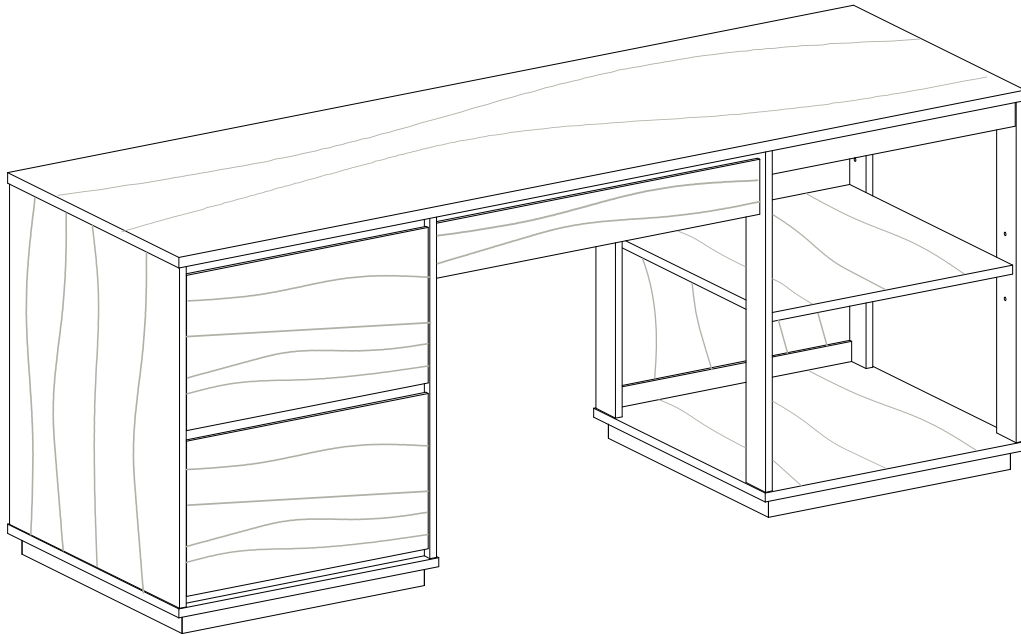


ITEM: **800798(B1&B2)**

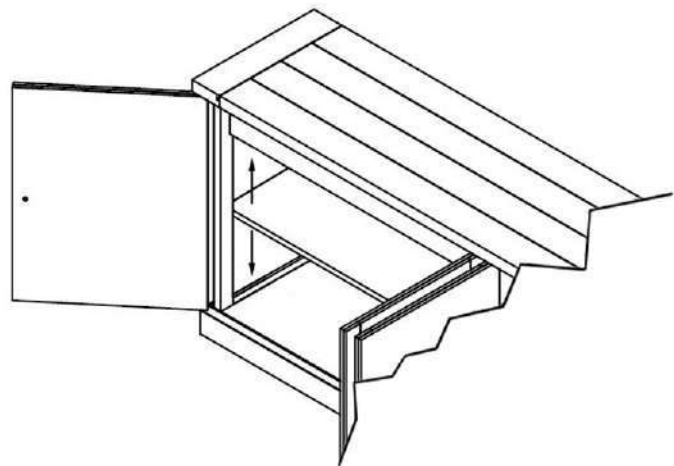
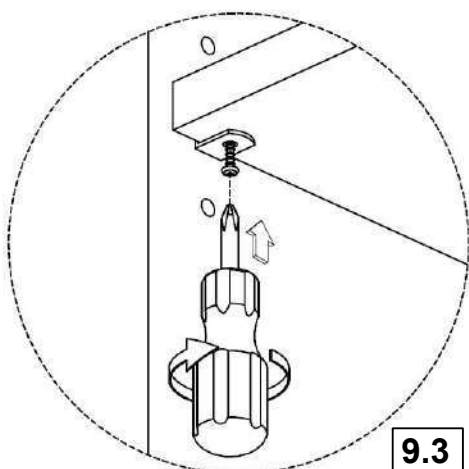
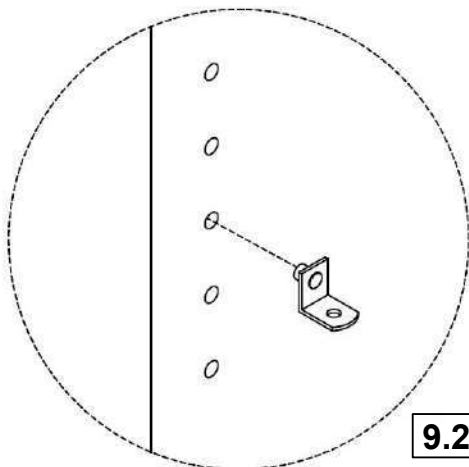
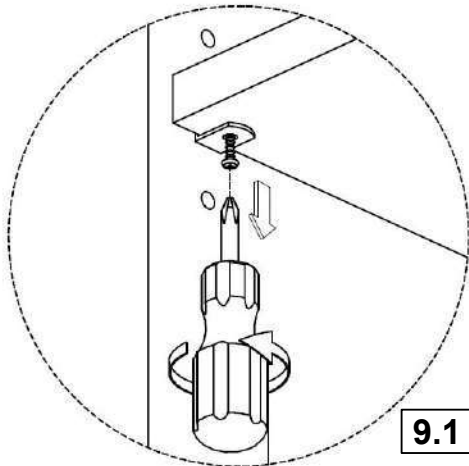
**ASSEMBLY INSTRUCTIONS**

**STEP 10**

**COMPLETE**



OPTIONAL ADJUSTABLE SHELF



**NOTE:**

Phillips head screw driver is required in the assembly process; however, manufacturer does not provide this item.

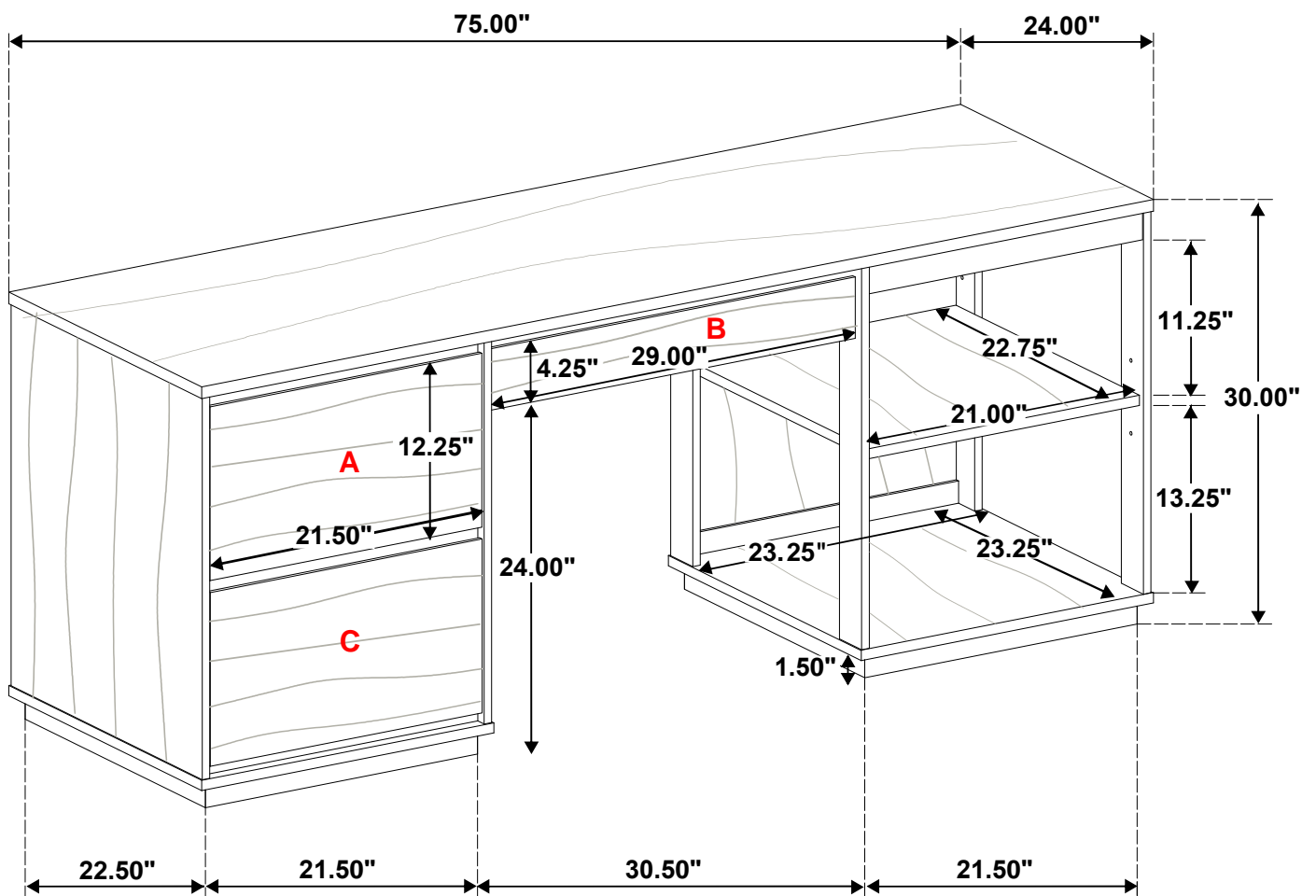
# ITEM: 800798(B1&B2)



Inner Size of Drawer A: 20.00"W x 13.00"D x 8.75"H x 0.25"T

Inner Size of Drawer B: 25.00"W x 13.00"D x 2.25"H x 0.25"T

Inner Size of Drawer C: 25.00"W x 15.00"D x 2.25"H x 0.25"T



Note: Dimension tolerance  $\pm 5\%$