

ASSEMBLY INSTRUCTIONS
COASTER FINE FURNITURE



Fine Furniture for every stage of life

4694
CEDAR CHEST

ITEM: **4694**

ASSEMBLY INSTRUCTIONS

ASSEMBLY TIPS:

1. Remove hardware from box and sort by size.
2. Please check to see that all hardware and parts are present prior to start of assembly.
3. Please follow attached instructions in the same sequence as numbered to assure fast & easy assembly.



WARNING!

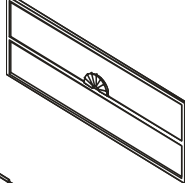
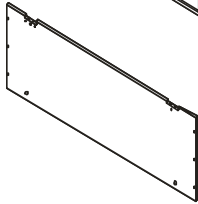

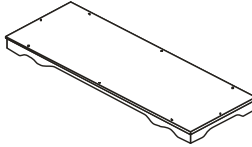
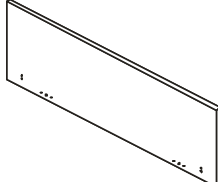
1. Don't attempt to repair or modify parts that are broken or defective. Please contact the store immediately.
2. This product is for home use only and not intended for commercial establishments.



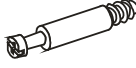





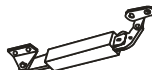
ASSEMBLY TIME

30 MINUTES

PARTS IDENTIFICATION

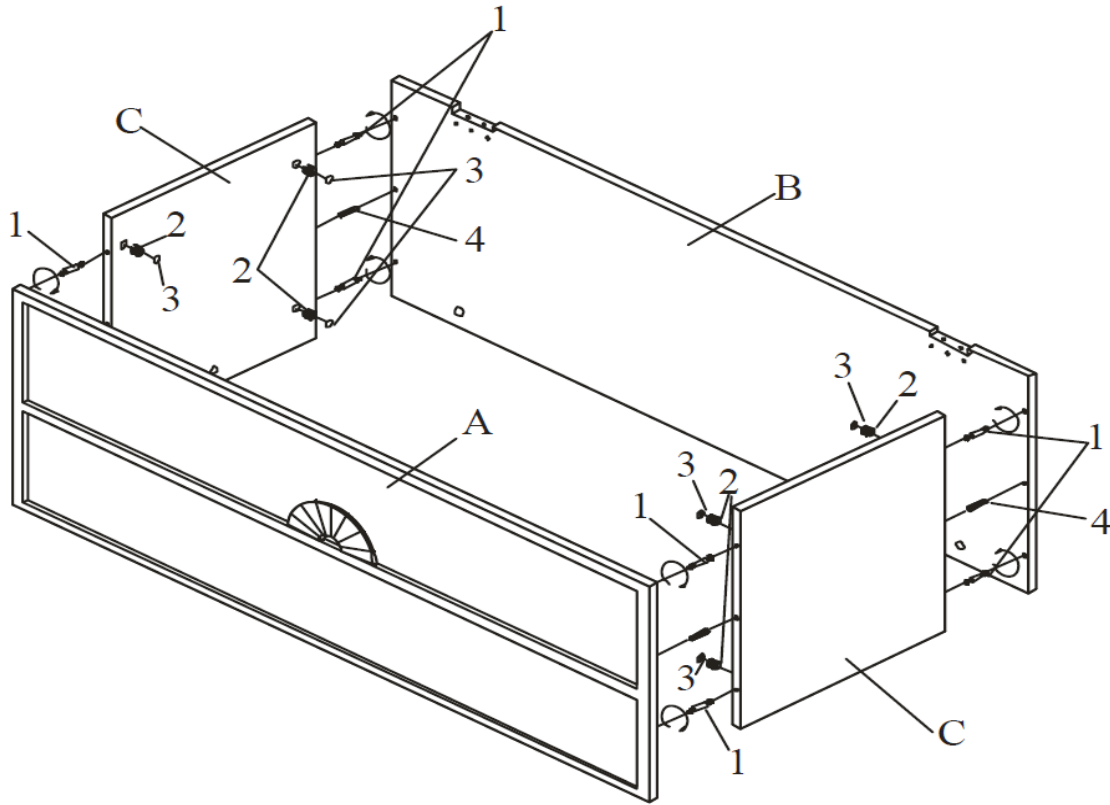
A	FRONT PANEL		1 PC
B	BACK PANEL		1 PC
C	SIDE PANEL		2 PCS
D	BOTTOM PANEL		1 PC
E	TOP PANEL		1 PC

ASSEMBLY INSTRUCTIONS**HARDWARE IDENTIFICATION**

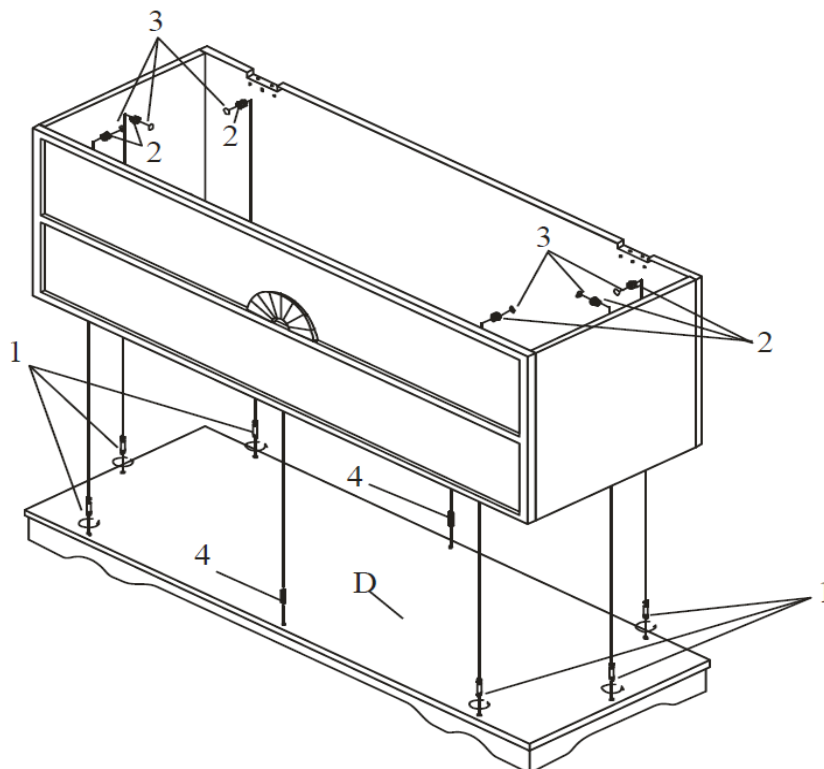
1	CMA-BOLT (Ø7 x 35mm SR)		14 PCS
2	CAM-LOCK (Ø25 x11mm SR)		14 PCS
3	STOPPER (Ø30 x 10mm)		14 PCS
4	WOOD DOWEL (Ø8 x 30mm)		6 PCS
5	HINGES (76 x 1.6mm)		2 PCS
6	BOLT AND SCREW (1/4" x 12mm BLK)		24 PCS
7	LID SUPPORT (160 x 30 x 16mm BLK)		2 PCS

ITEM: **4694**

ASSEMBLY INSTRUCTIONS
STEP 1

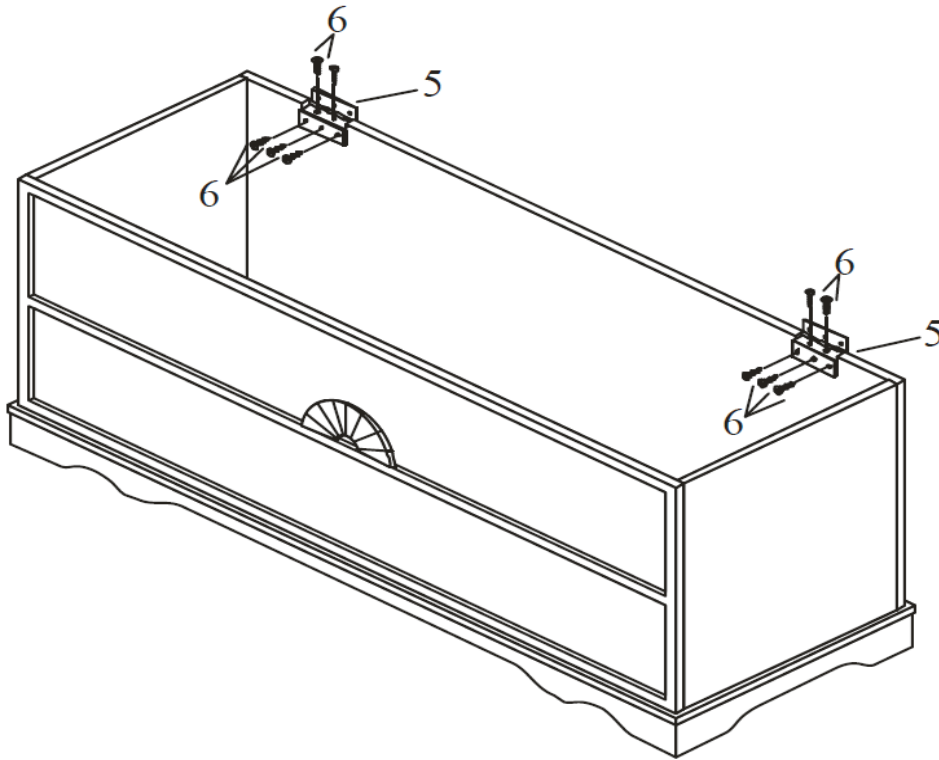


STEP 2

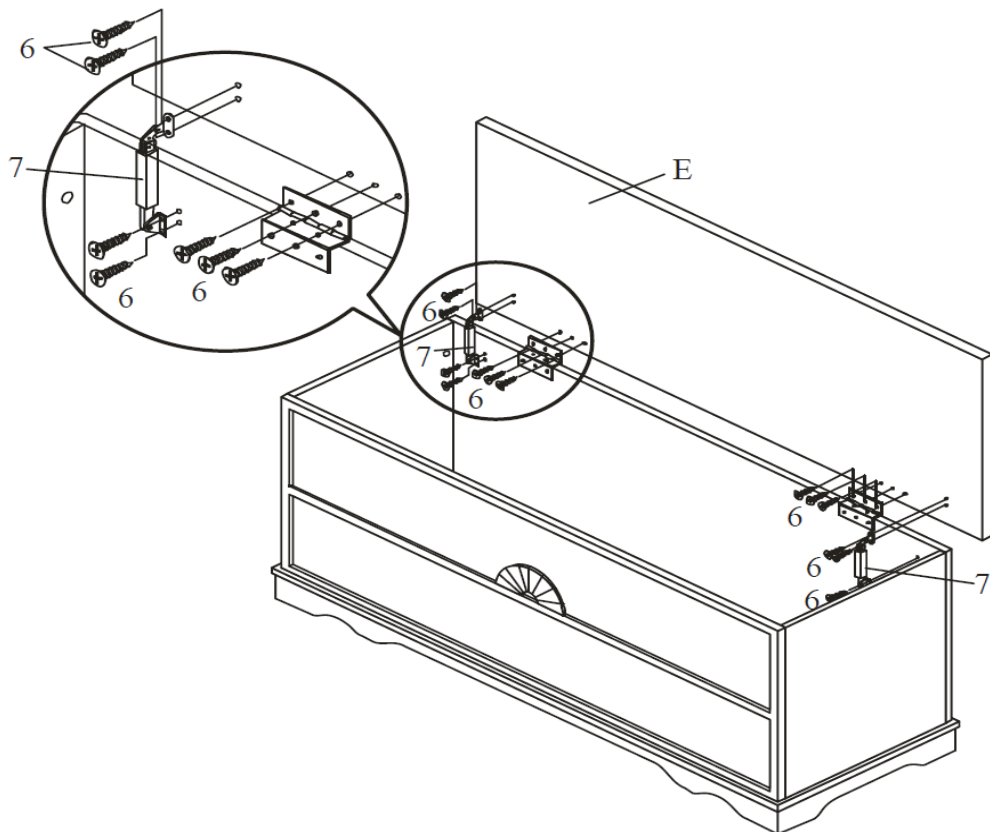


ITEM: **4694**

ASSEMBLY INSTRUCTIONS
STEP 3

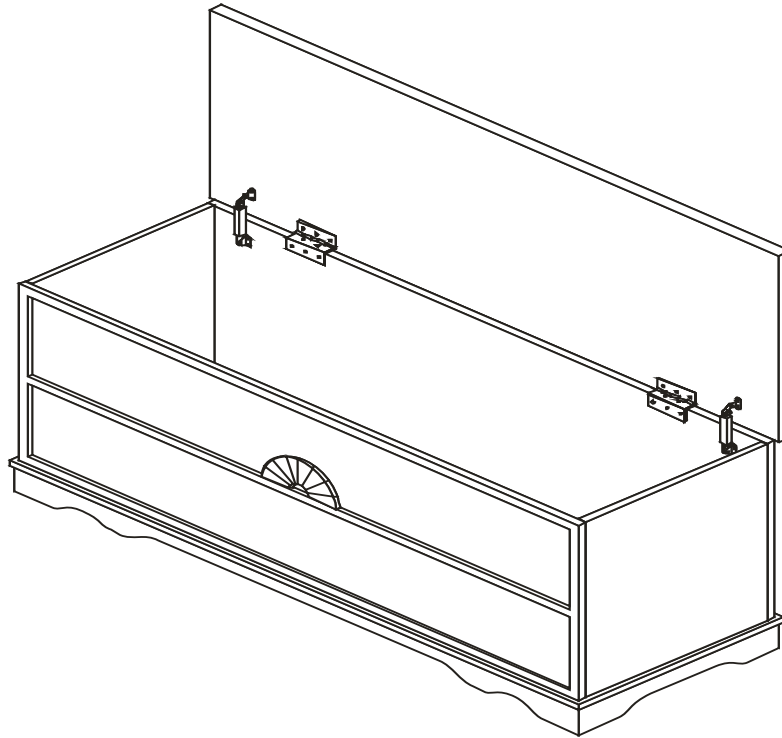


STEP 4



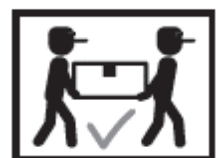
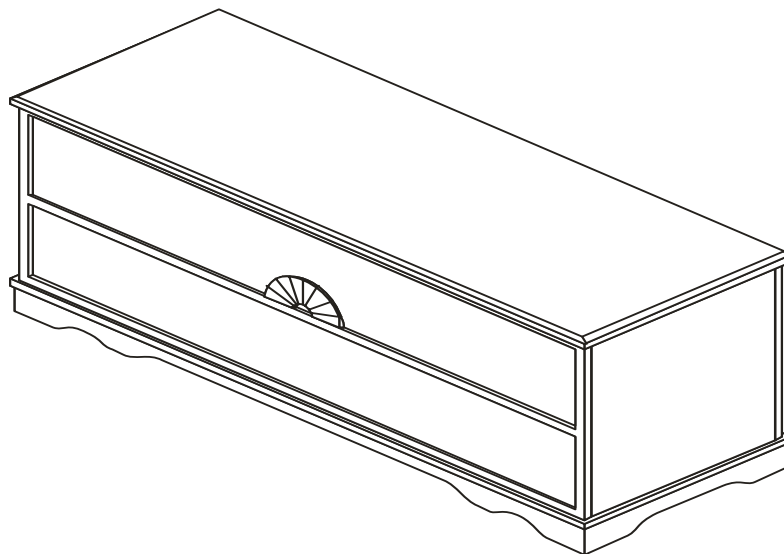
ITEM: **4694**

ASSEMBLY INSTRUCTIONS
STEP 5

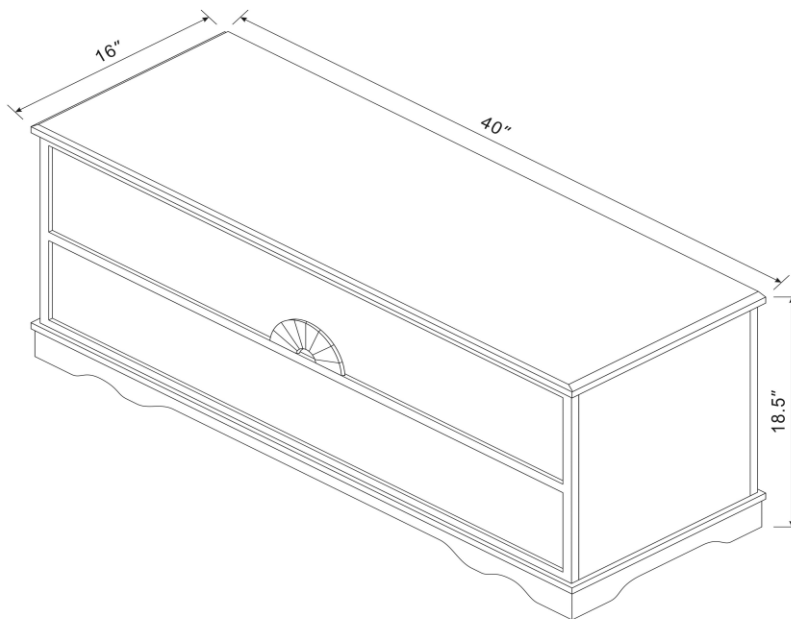
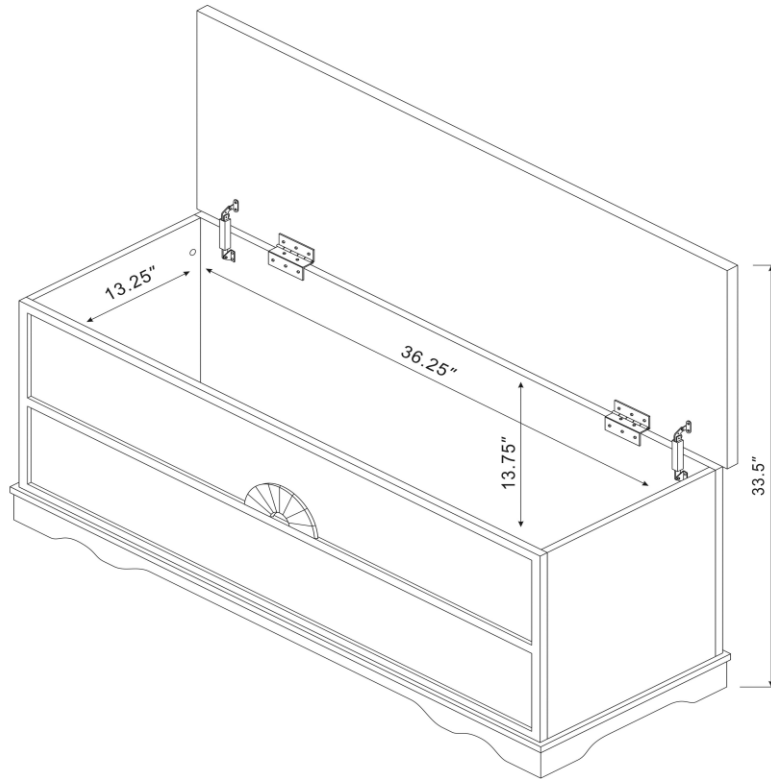


STEP 6

COMPLETE



ITEM: **4694**



Note : Dimension tolerance $\pm 5\%$