

ASSEMBLY INSTRUCTIONS
COASTER FINE FURNITURE



Fine Furniture for every stage of life

700112
TV CONSOLE

ITEM:700112

ASSEMBLY INSTRUCTIONS

ASSEMBLY TIPS:

1. Remove hardware from box and sort by size.
2. Please check to see that all hardware and parts are present prior to start of assembly.
3. Please follow attached instructions in the same sequence as numbered to assure fast & easy assembly.



WARNING!

1. Don't attempt to repair or modify parts that are broken or defective. Please contact the store immediately.
2. This product is for home use only and not intended for commercial establishments.

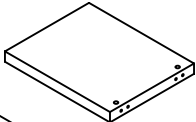
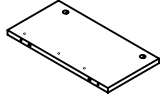
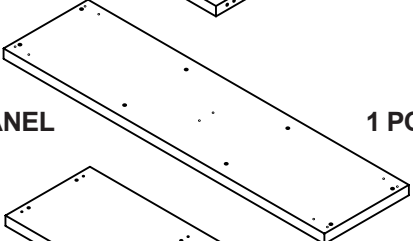
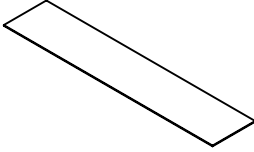
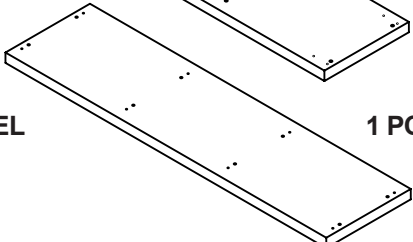
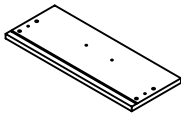
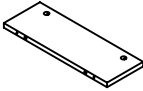
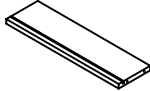
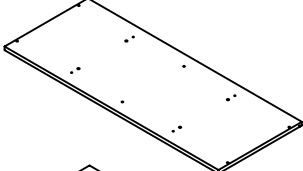
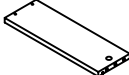
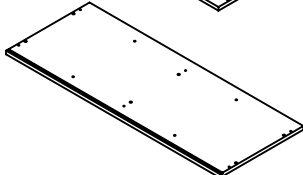
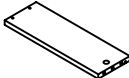
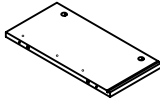
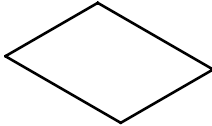
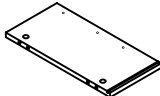


ASSEMBLY TIME

60 MINUTES

MAX TV SIZE : 65"

PARTS IDENTIFICATION

A	SIDE PANEL		2 PCS	I	MIDDLE DIVIDER PANEL		1 PC
B	BOTTOM PANEL		1 PC	J	BACK PANEL		1 PC
C	TOP PANEL		1 PC	K	DRAWER FRONT PANEL		2 PCS
D	DIVIDER PANEL		4 PCS	L	DRAWER BACK PANEL		2 PCS
E	LOWER CROSS PANEL		1 PC	M	LEFT DRAWER SIDE PANEL		2 PCS
F	UPPER CROSS PANEL		1 PC	N	RIGHT DRAWER SIDE PANEL		2 PCS
G	LEFT SIDE PANEL		1 PC	O	DRAWER BOTTOM PANEL		2 PCS
H	RIGHT SIDE PANEL		1 PC				

NOTE:

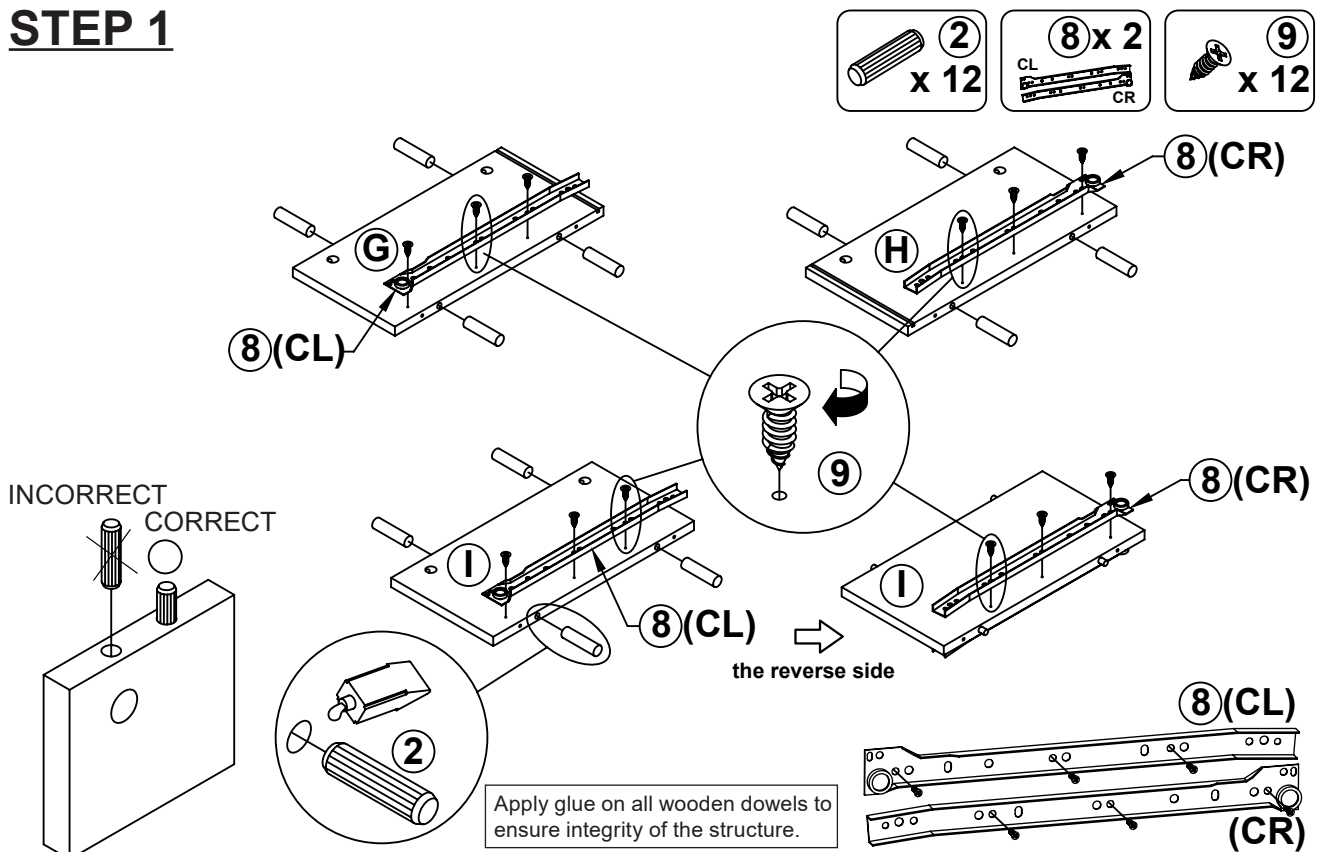
Phillips head screw driver is required in the assembly process; however, manufacturer does not provide this item.

HARDWARE IDENTIFICATION

Z							
NO	DESCRIPTION	FIGURE	Q'TY	NO	DESCRIPTION	FIGURE	Q'TY
1	GLUE 40g		1 PC	8	GLIDES L = 350mm WHT		2 SET
2	WOODEN DOWEL Ø 8x30mm		44 PCS	9	SHORT SCREW Ø 3.5x10mm SR		24 PCS
3	CAM BOLT Ø 7x35.5mm SR		22 PCS	10	HANDLE L=106mm		2 PCS
4	CAM LOCK Ø 15x12mm SR		22 PCS	11	HANDLE BOLT Ø 4x23mm SR		4 PCS
5	LONG BOLT Ø 9.5x55mm SR		8 PCS	12	FOOT 100x50x25mm		5 PCS
6	LONG SCREW Ø 4.5x42mm SR		10 PCS	13	FOOT SCREW Ø 5x22.5mm RBW		10 PCS
7	SCREW Ø 4.3x35mm SR		8 PCS	14	STICKER Ø 20mm		4 PCS

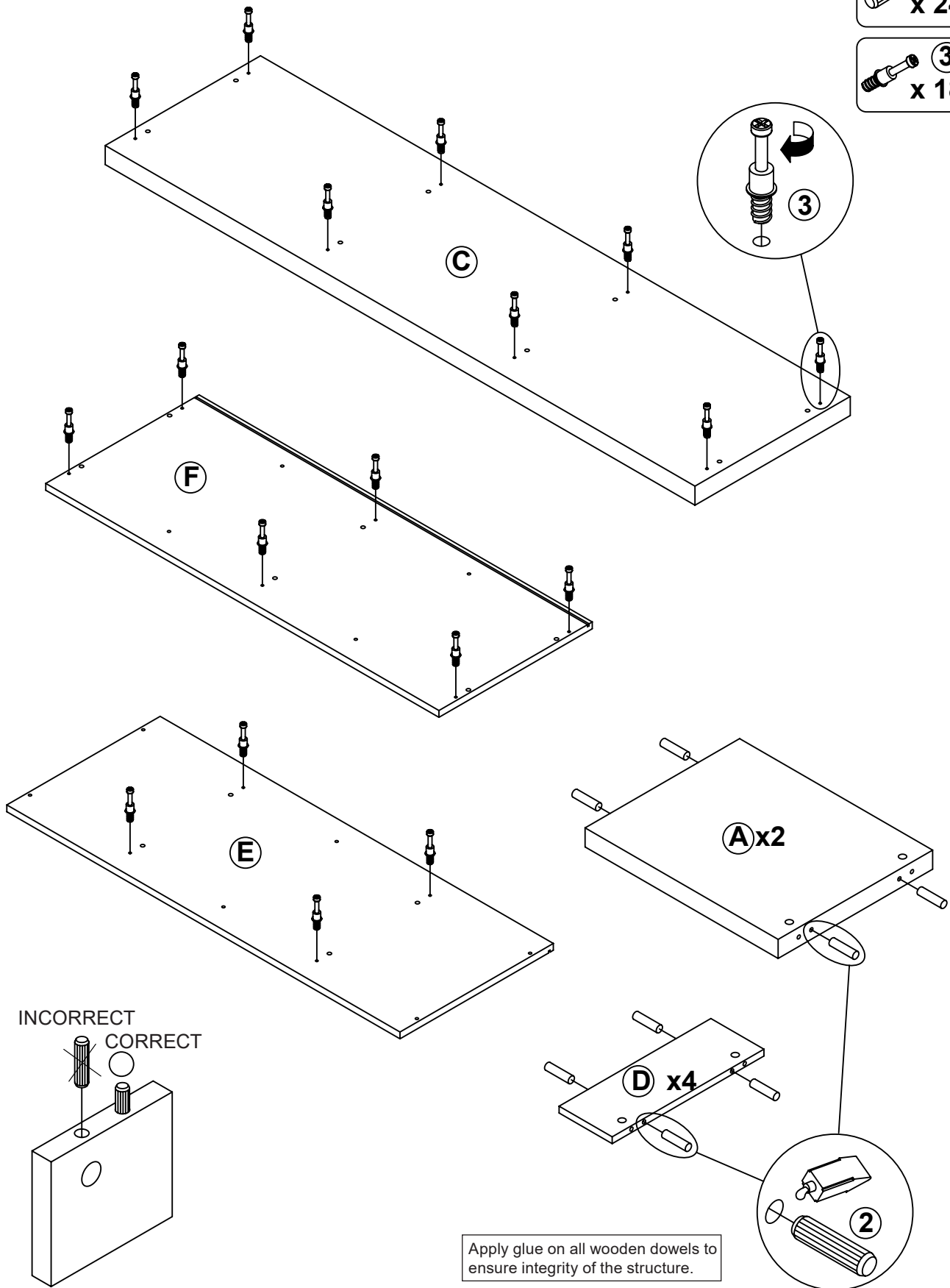
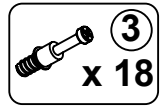
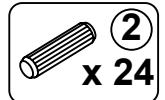
Z8,Z10,Z12 not included in blister packaging.

STEP 1



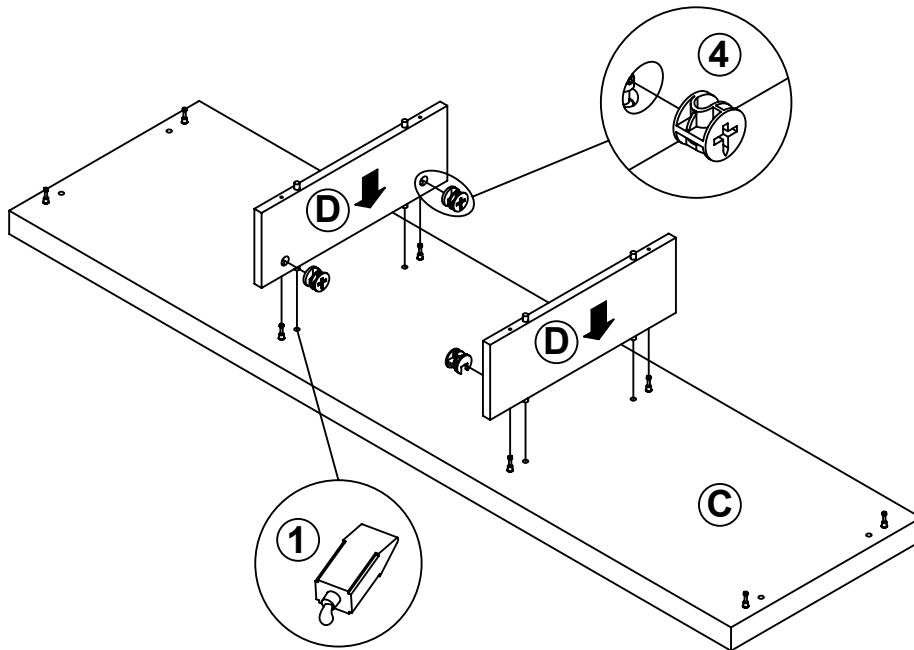
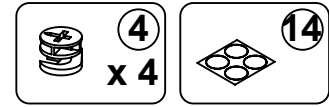
ITEM: 700112

STEP 2

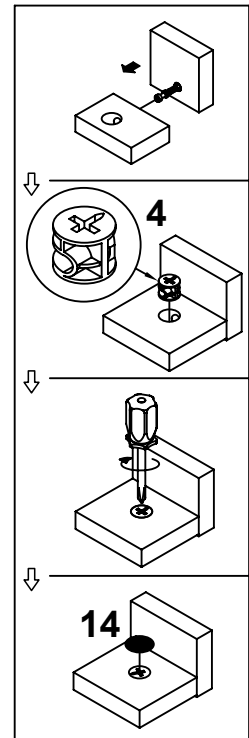


ITEM: 700112

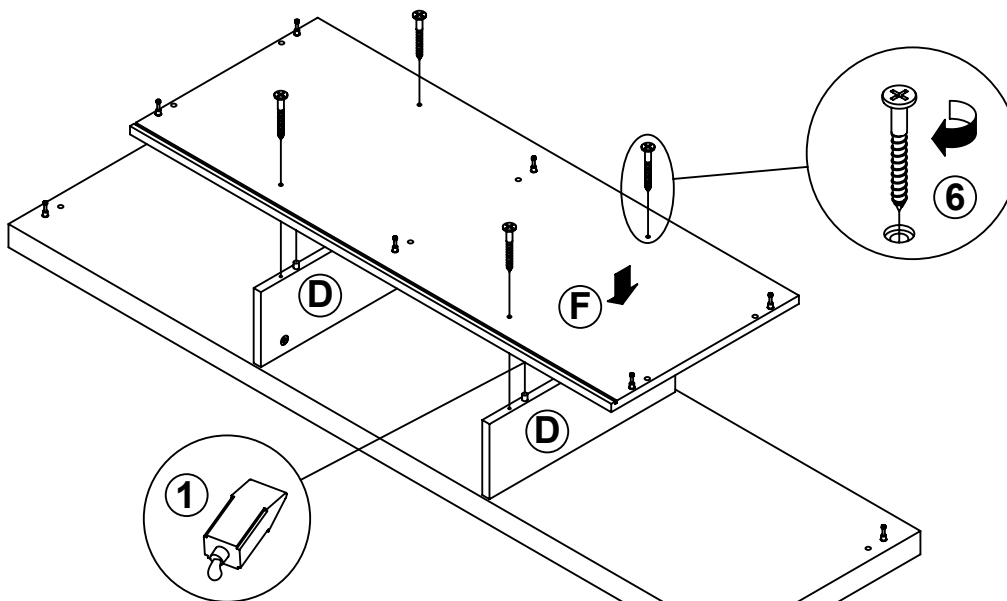
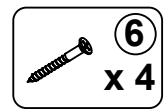
STEP 3



Apply glue on all wooden dowels to ensure integrity of the structure.



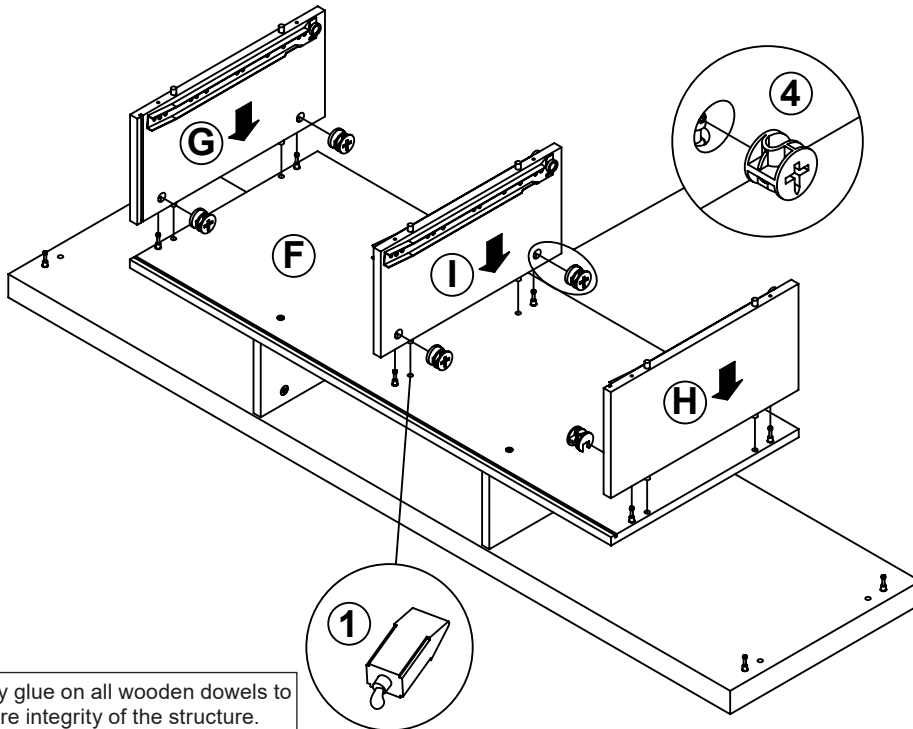
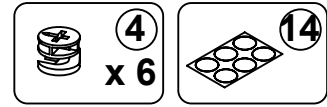
STEP 4



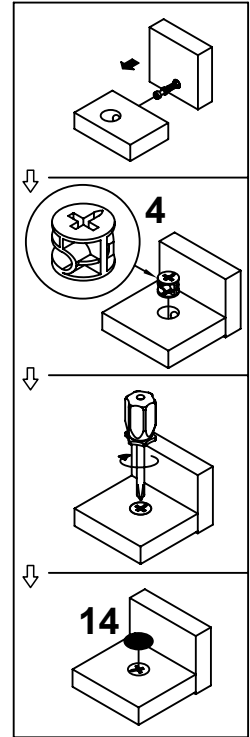
Apply glue on all wooden dowels to ensure integrity of the structure.

ITEM: 700112

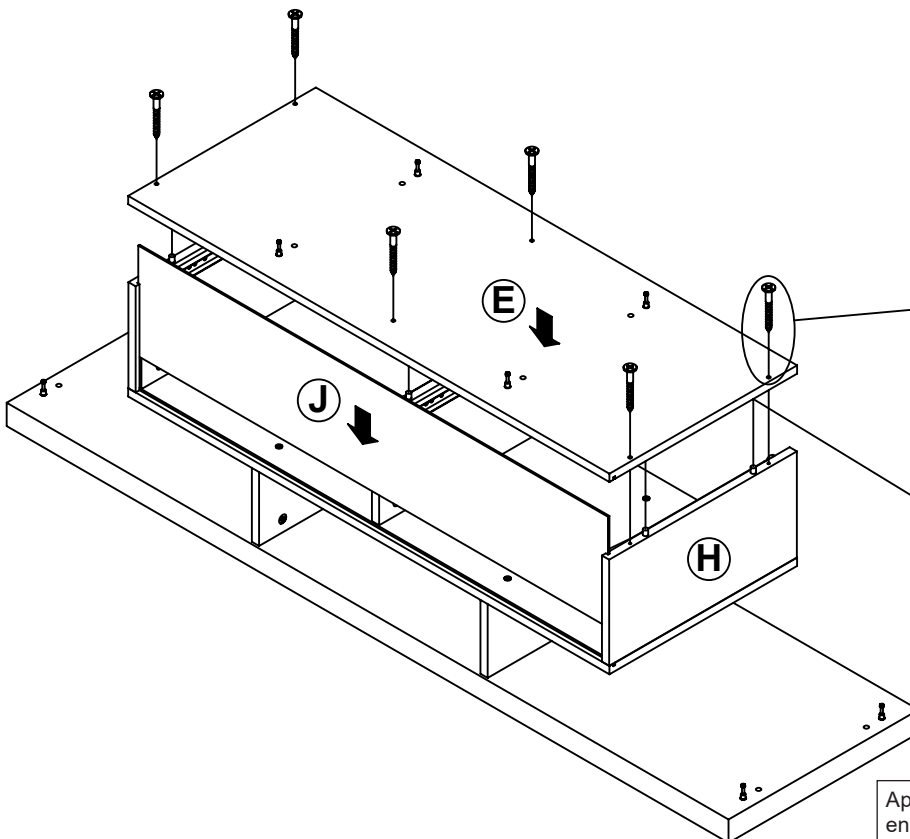
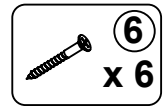
STEP 5



Apply glue on all wooden dowels to ensure integrity of the structure.



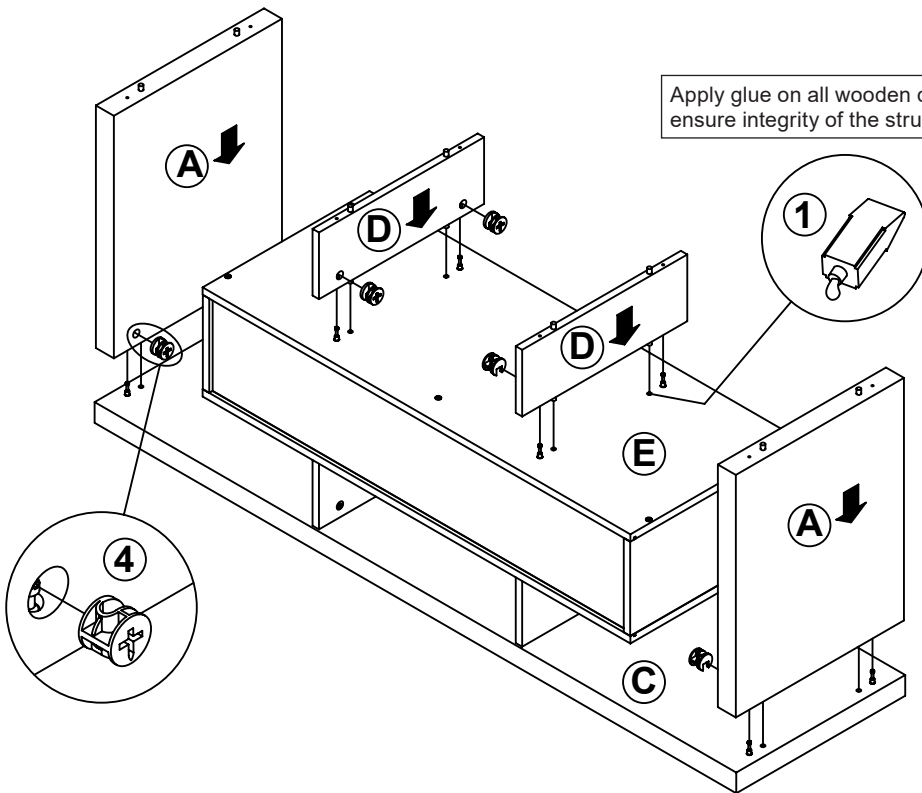
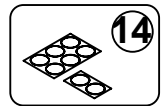
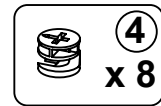
STEP 6



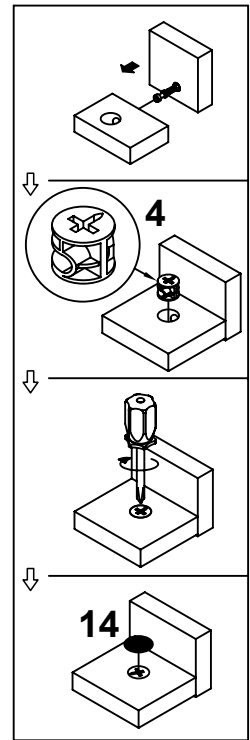
Apply glue on all wooden dowels to ensure integrity of the structure.

ITEM: 700112

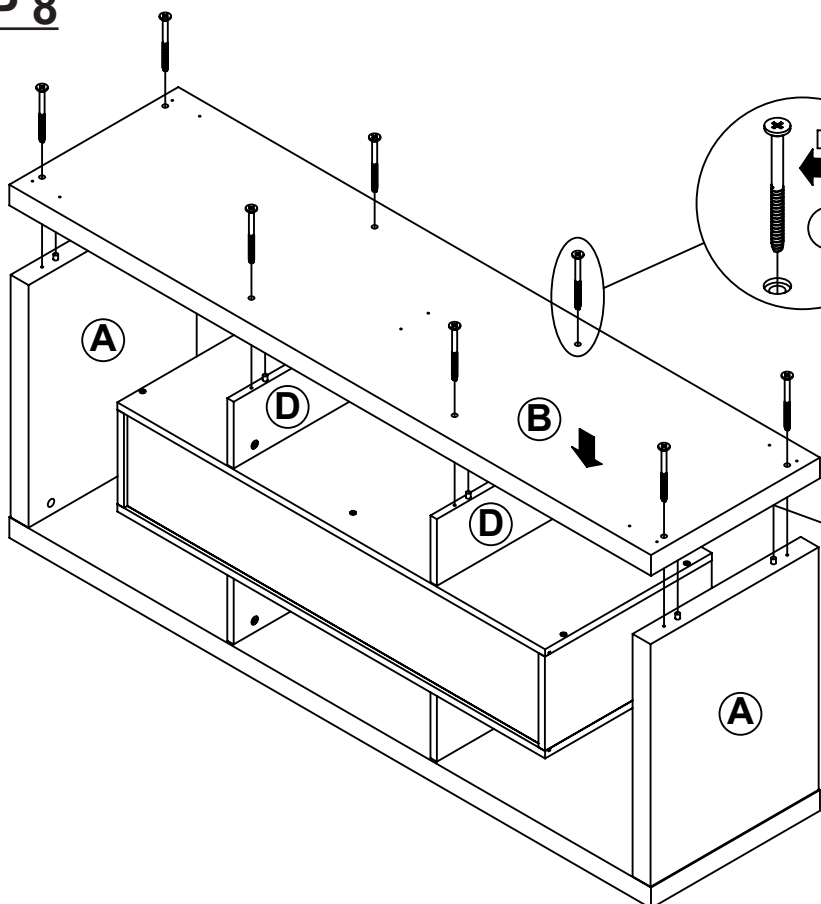
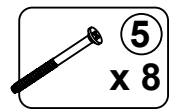
STEP 7



Apply glue on all wooden dowels to ensure integrity of the structure.



STEP 8

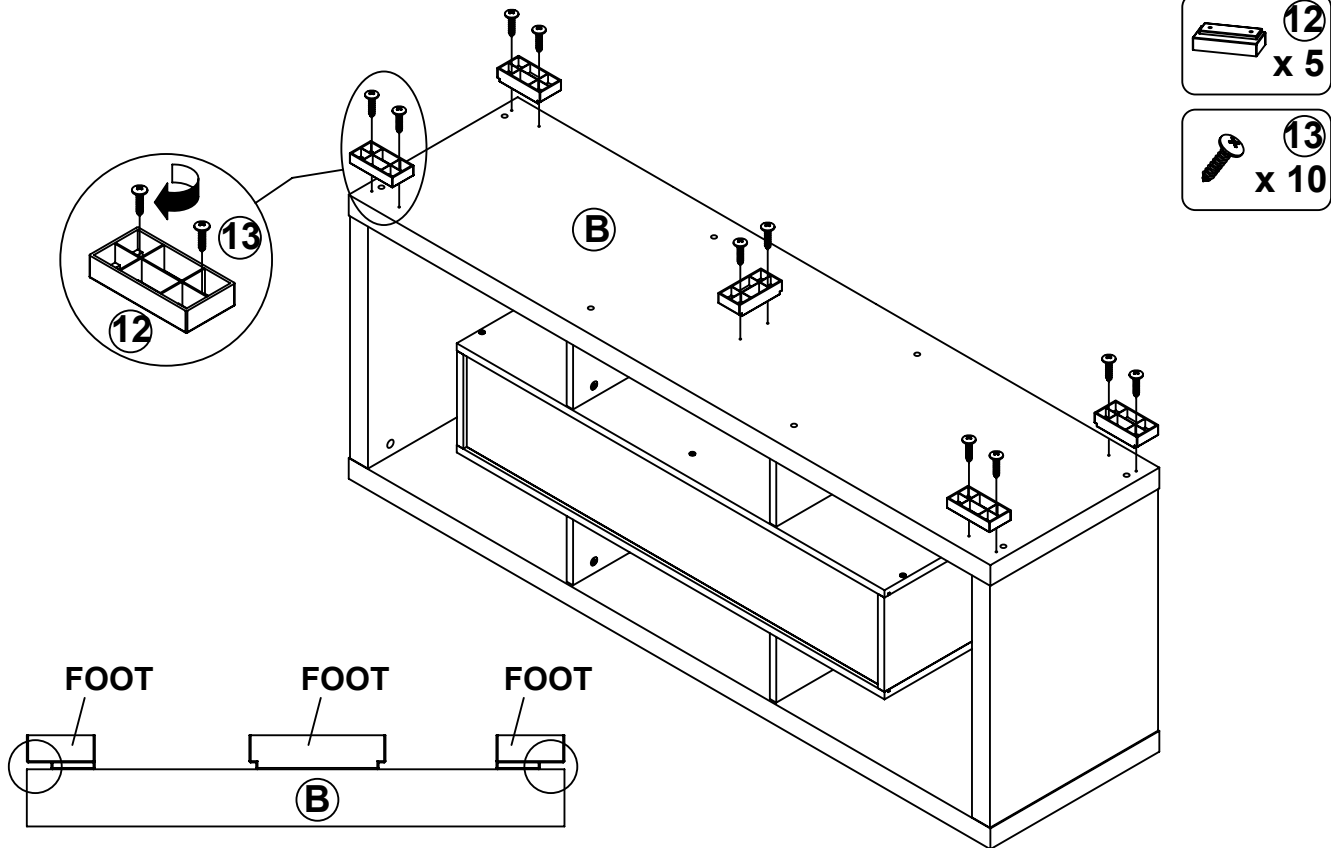


Apply glue on all wooden dowels to ensure integrity of the structure.

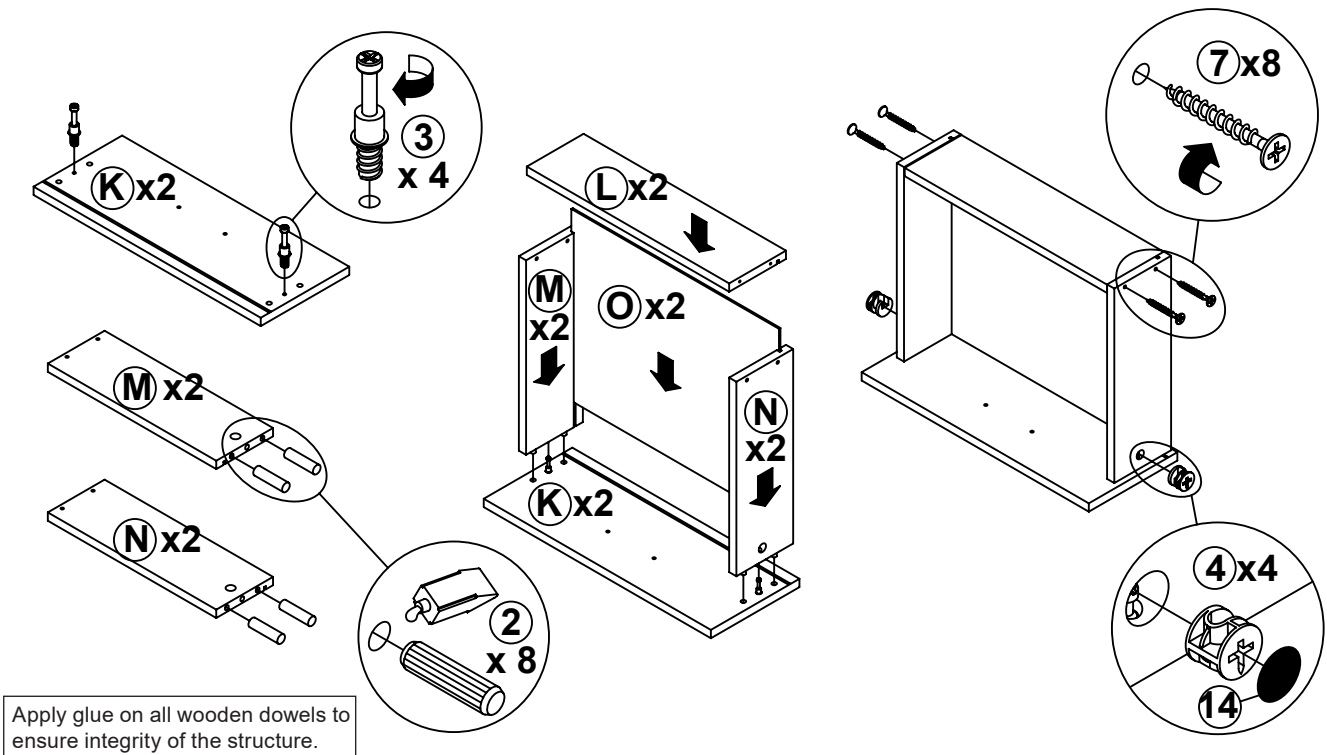
ITEM: 700112

COASTER
FINE FURNITURE

STEP 9

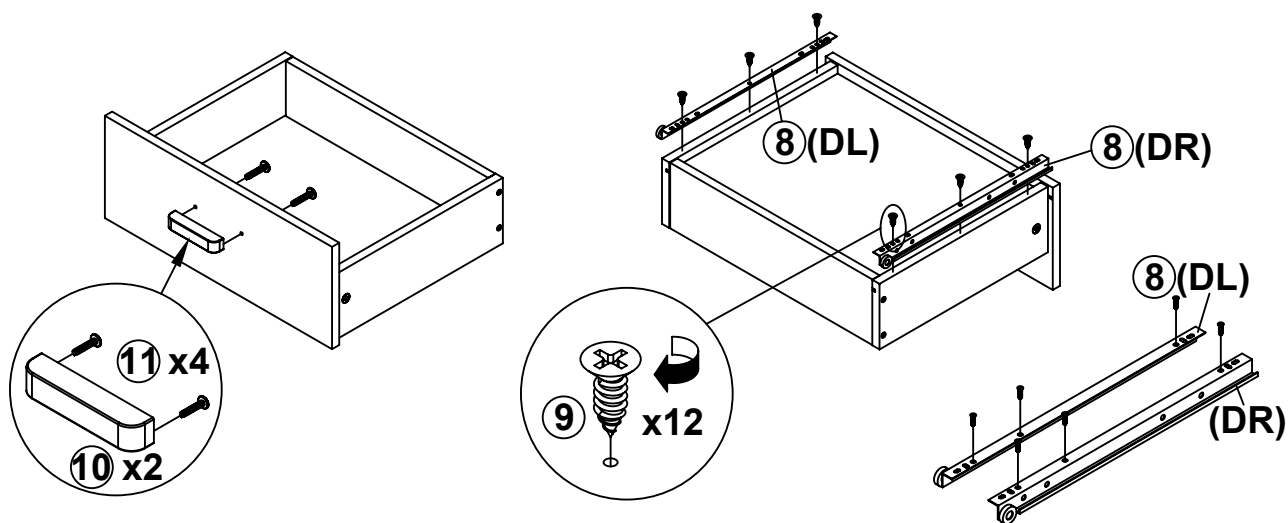


STEP 10

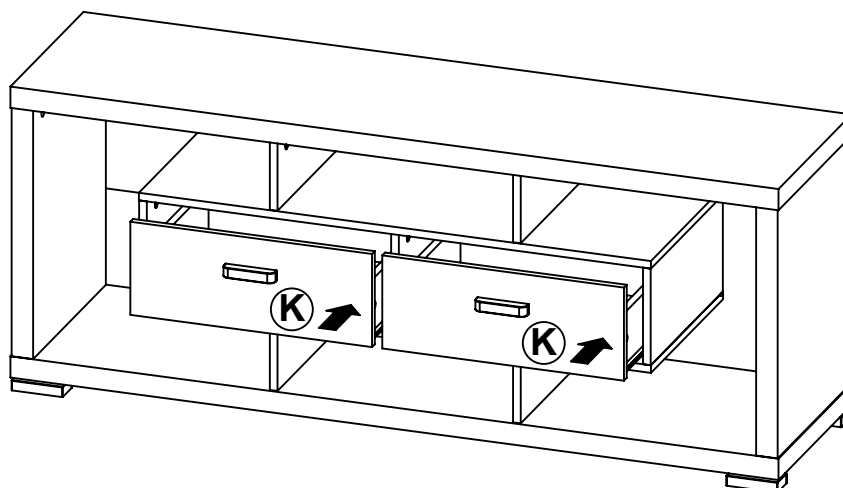


ITEM: 700112

STEP 11

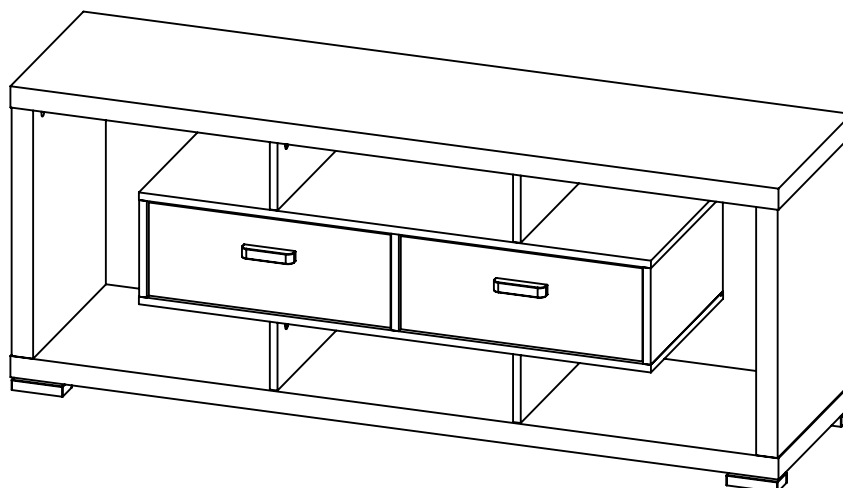


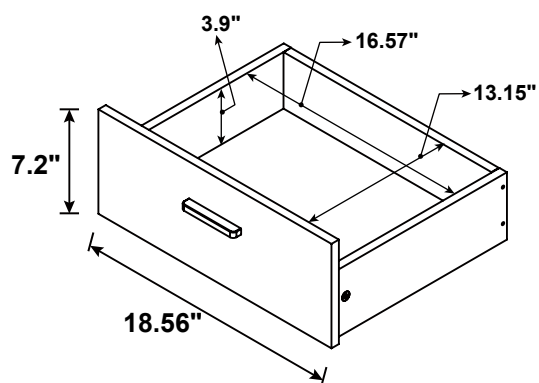
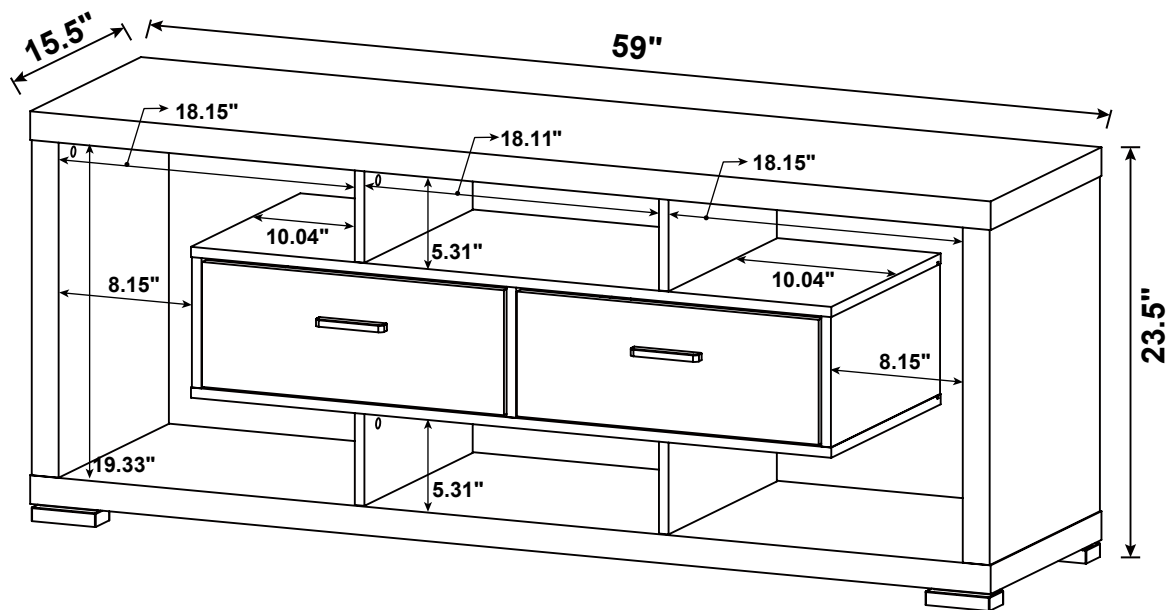
STEP 12



STEP 13

COMPLETE





Note : Dimension tolerance $\pm 5\%$