

ASSEMBLY INSTRUCTIONS
COASTER FINE FURNITURE



Fine Furniture for every stage of life

203507(B1&B2)
Vanity Mirror & Desk

ITEM: 203507(B1&B2)

ASSEMBLY INSTRUCTIONS

ASSEMBLY TIPS:

1. Remove hardware from box and sort by size.
2. Please check to see that all hardware and parts are present prior to start of assembly.
3. Please follow attached instructions in the same sequence as numbered to assure fast & easy assembly.



WARNING!

1. Don't attempt to repair or modify parts that are broken or defective. Please contact the store immediately.
2. This product is for home use only and not intended for commercial establishments.



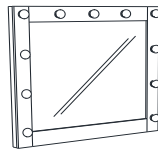
ASSEMBLY TIME

10 MINUTES

PARTS IDENTIFICATION

B1 (BOX 1)

A MIRROR



1PC

C ADAPTOR



1PC

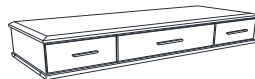
B MIRROR SUPPORT



2PCS

B2 (BOX 2)

D DESKTOP



1PC

F COMPARTMENT



2PCS

E BACK PANEL



1PC

HARDWARE IDENTIFICATION

Z-B1 (BOX 1) - HARDWARE PACK IS LOCATED IN 203507 (B1)

LONG FLAT HEAD
1 SCREW
(M4 x 32mm - RBW)



8PCS

Z-B2 (BOX 2) - HARDWARE PACK IS LOCATED IN 203507 (B2)

2 ALLEN WRENCH
(M4 x 60MM - BLK)



1PC

5 LOCK WASHER
(1/4" - BLK)



2PCS

3 SHORT FLAT HEAD SCREW
(M4 x 25mm - RBW)



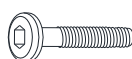
11PCS

6 FLAT WASHER
(1/4" X 19mm - BLK)



2PCS

4 BOLT
(M6 x 30mm - BLK)



2PCS

7 WOOD DOWEL
(M6 x 20mm)

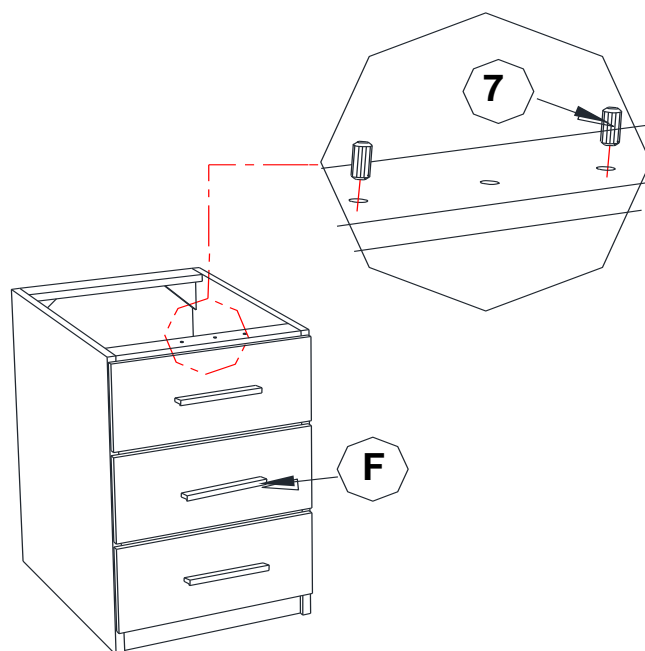


4PCS

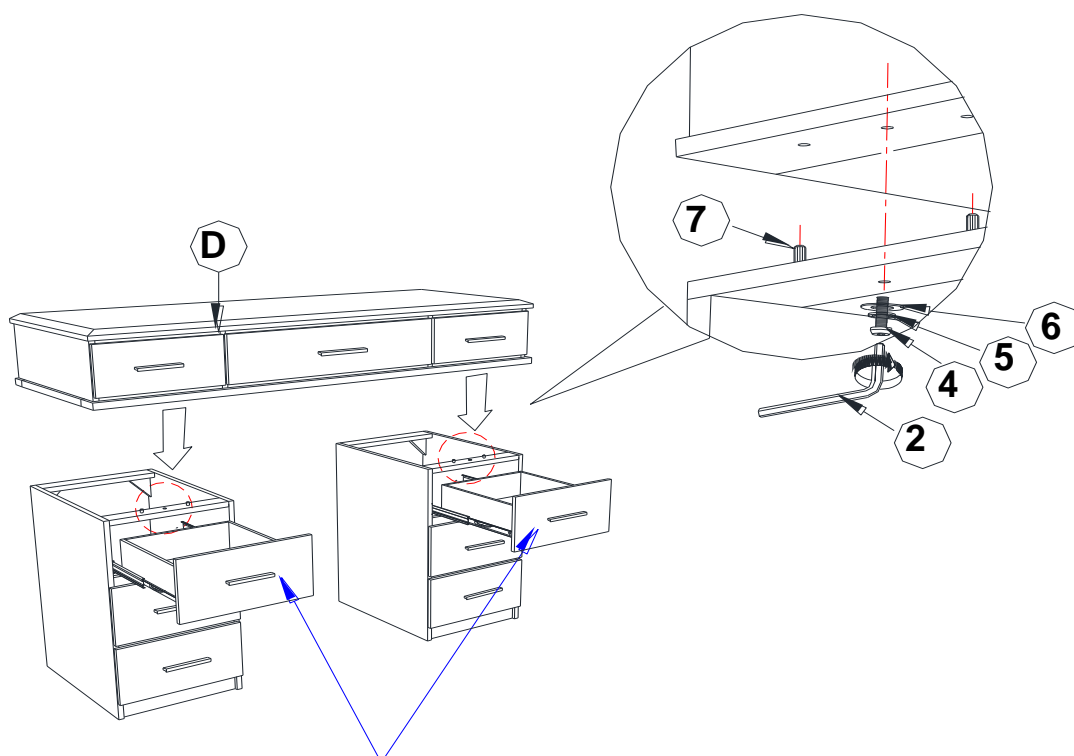
ITEM: **203507(B1&B2)**

ASSEMBLY INSTRUCTIONS

STEP 1



STEP 2

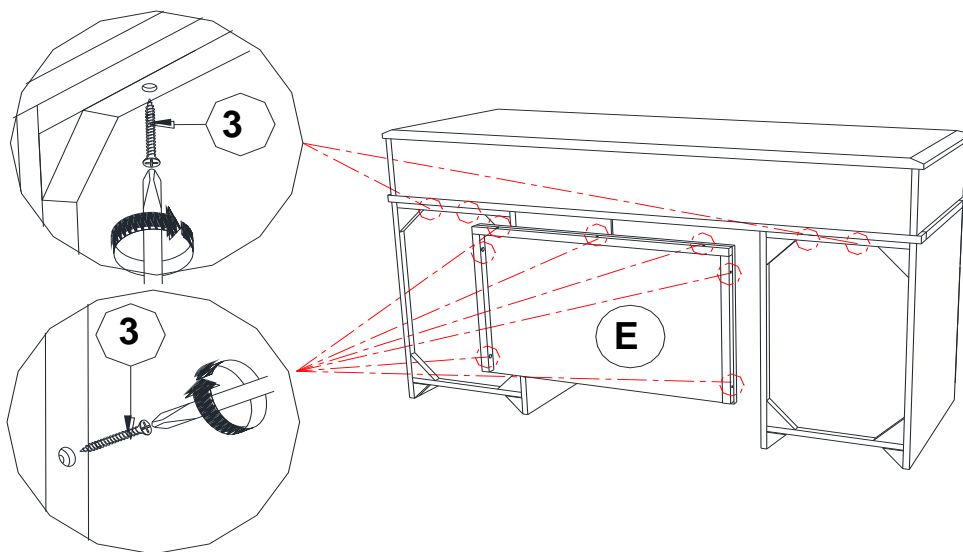


REMARK : Pull out drawer for easy assembly process

ITEM: **203507(B1&B2)**

ASSEMBLY INSTRUCTIONS

STEP 3



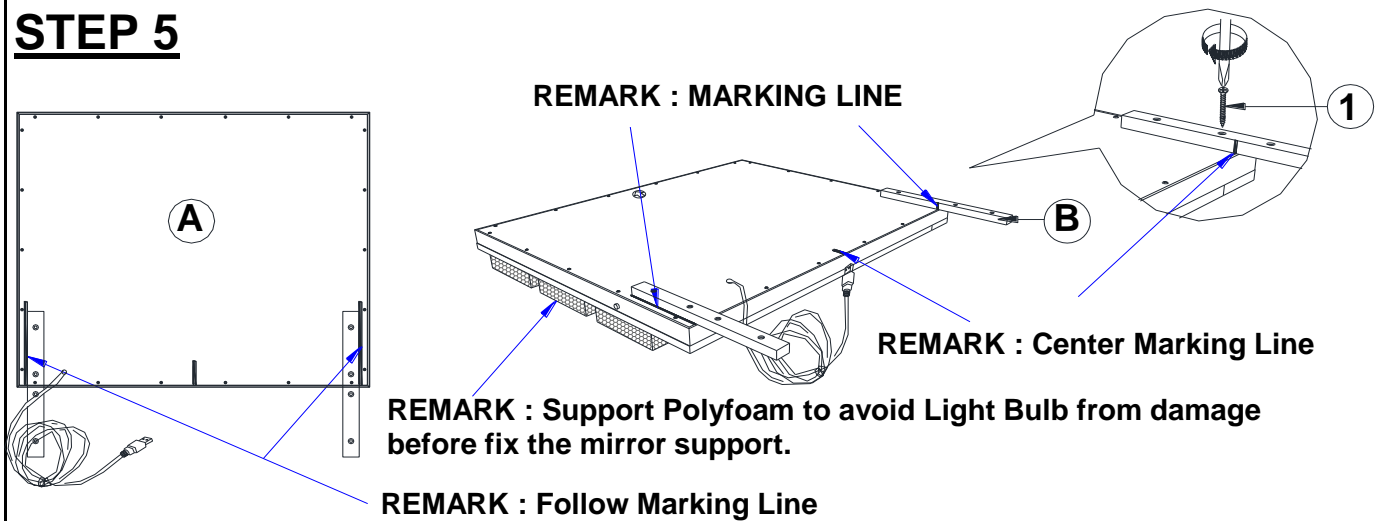
STEP 4
COMPLETE



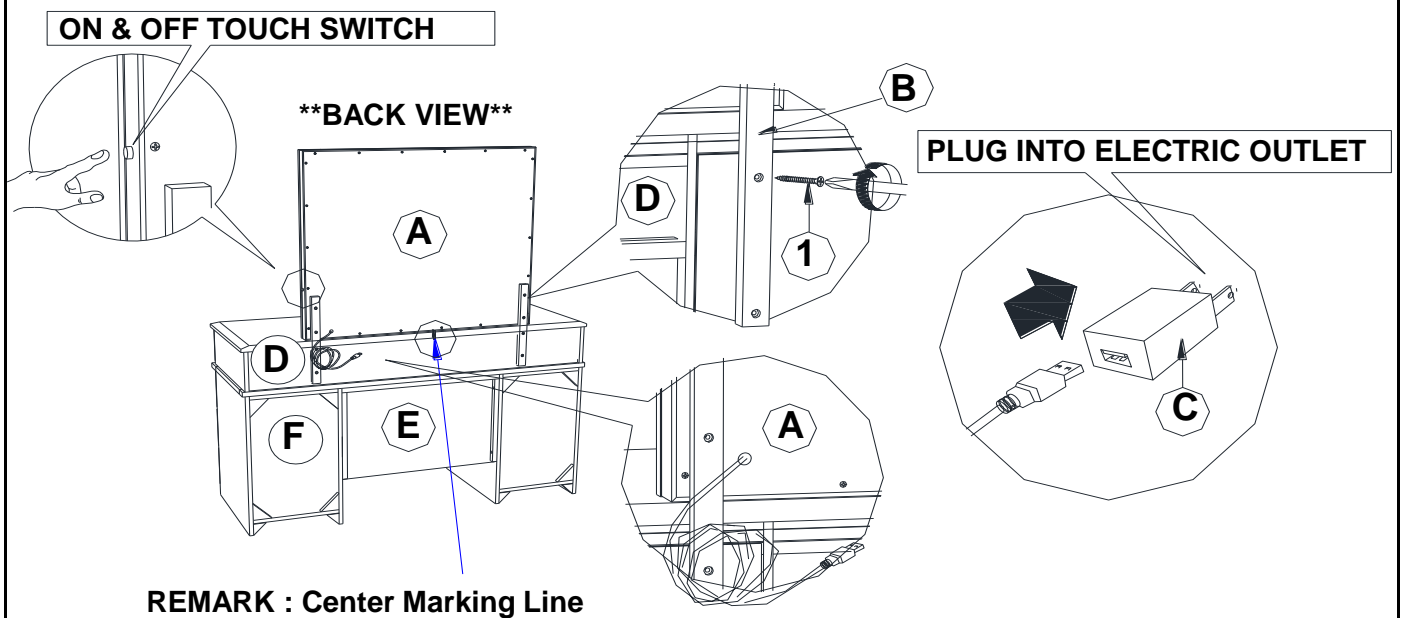
ITEM: 203507(B1&B2)

ASSEMBLY INSTRUCTIONS

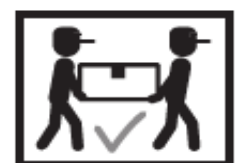
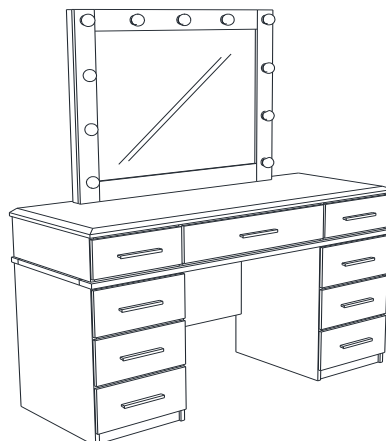
STEP 5



STEP 6



STEP 7 COMPLETE

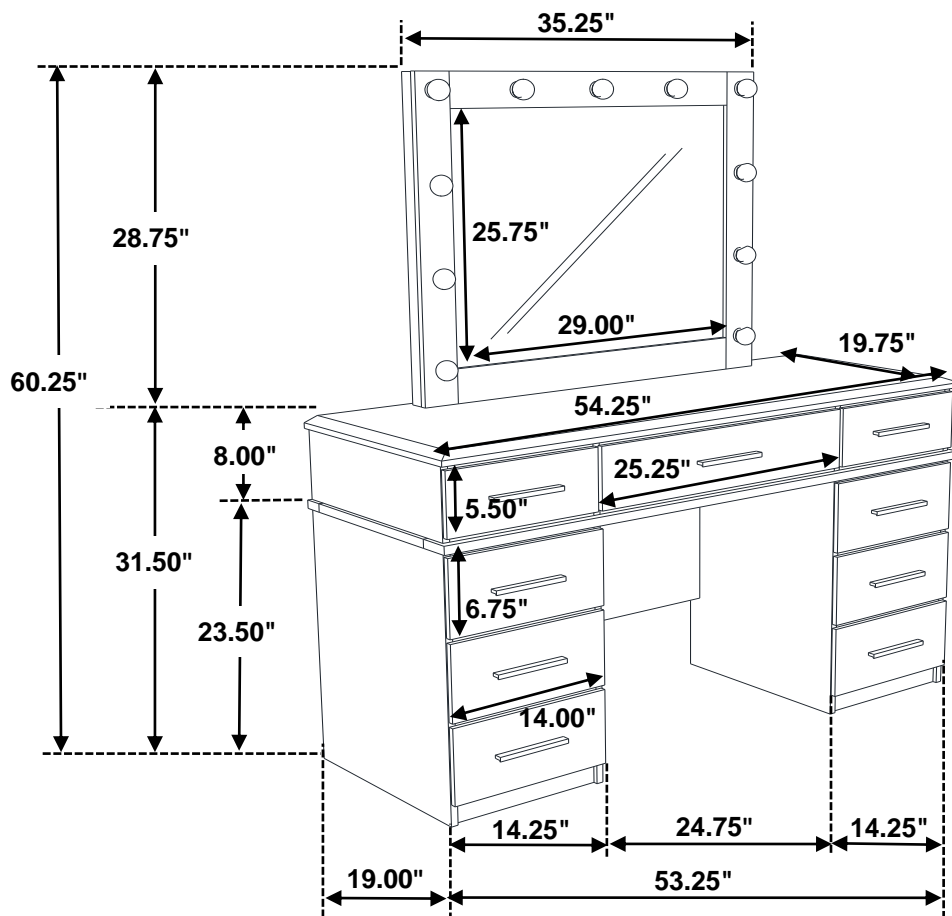


ITEM: 203507(B1&B2)



Inner Size of Drawer (Top Center) : 23.25"W X 12.50"D X 3.00"H X 0.25"T

Inner Size of Drawer (Others) : 12.50"W X 11.25"D X 3.00"H X 0.25"T



Note : Dimension tolerance \pm 5%