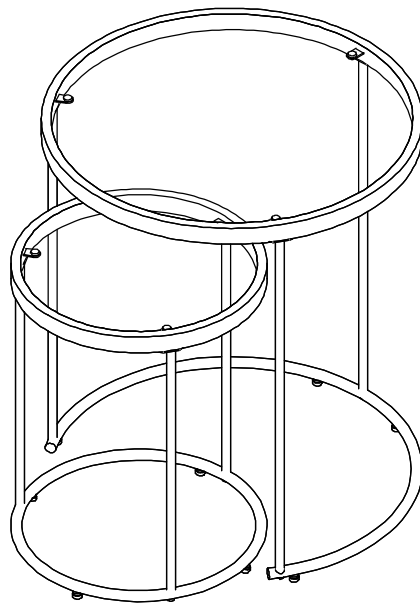


ASSEMBLY INSTRUCTIONS
COASTER FINE FURNITURE



Fine Furniture for every stage of life

935936
2PC NESTING TABLE

REVISION 0 : 06/11/2020
REVISION 1 : 12/15/2022

ITEM:935936



ASSEMBLY INSTRUCTIONS

ASSEMBLY TIPS:

1. Remove hardware from box and sort by size.
2. Please check to see that all hardware and parts are present prior to start of assembly.
3. Please follow attached instructions in the same sequence as numbered to assure fast & easy assembly.

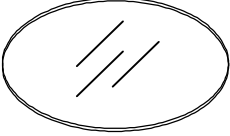
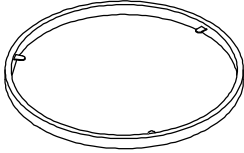
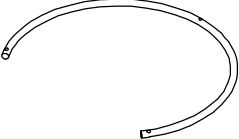
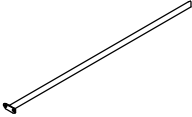

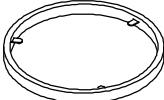


WARNING!

1. Don't attempt to repair or modify parts that are broken or defective. Please contact the store immediately.
2. This product is for home use only and not intended for commercial establishments.

ASSEMBLY TIME 35 MINUTES

PARTS IDENTIFICATION

A	LARGE GLASS		1PC
B	LARGE TOP FRAME		1PC
C	LARGE BOTTOM FRAME		1PC
D	LARGE CROSSBAR		3PCS
E	SMALL GLASS		1PC
F	SMALL TOP FRAME		1PC

ITEM:935936




ASSEMBLY INSTRUCTIONS


PARTS IDENTIFICATION


G SMALL BOTTOM FRAME  1PC

H SMALL CROSSBAR  3PCS

HARDWARE IDENTIFICATION

1 SHORT BOLT
(1/4" x 12mm GD)  12PCS

2 LONG BOLT
(1/4" x 28mm GD)  6PCS

3 LEVELER
(1/4" x 12mm BLK)  8PCS

4 SUCTION CUP
(ϕ 12mm)  6PCS

5 ALLEN WRENCH
(4mm)  1PC

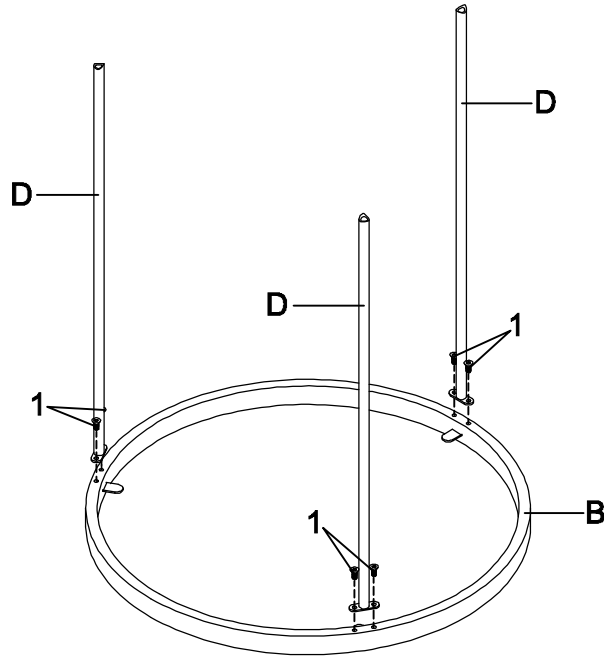
ITEM:935936

ASSEMBLY INSTRUCTIONS

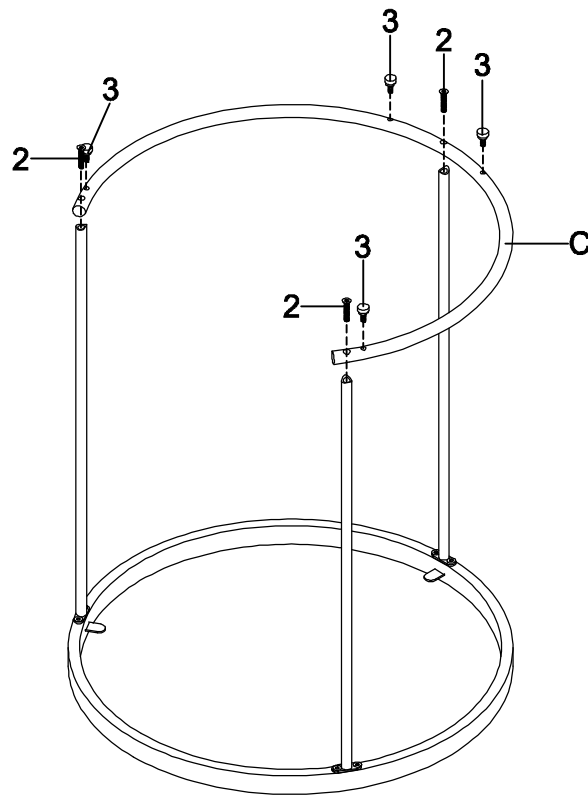


STEP 1

Do not tighten until each step is completed or instructed.



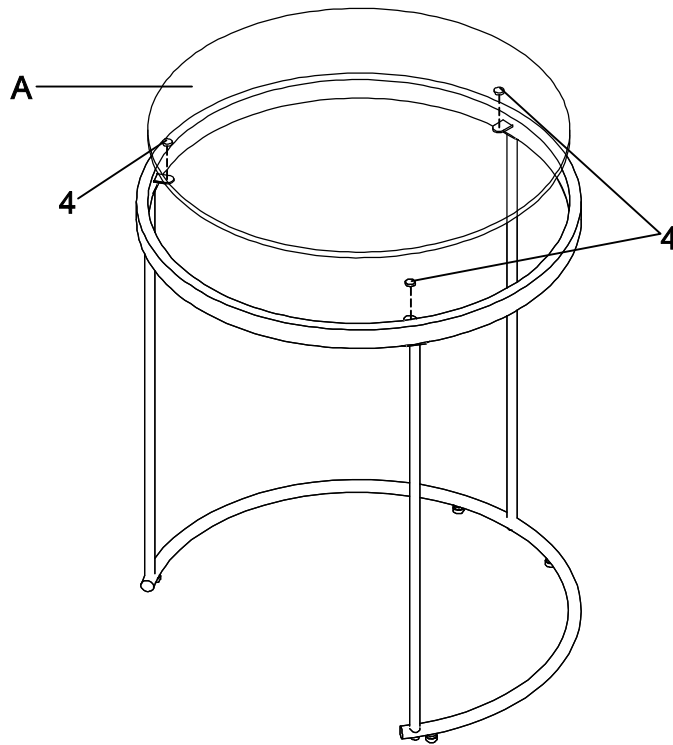
STEP 2



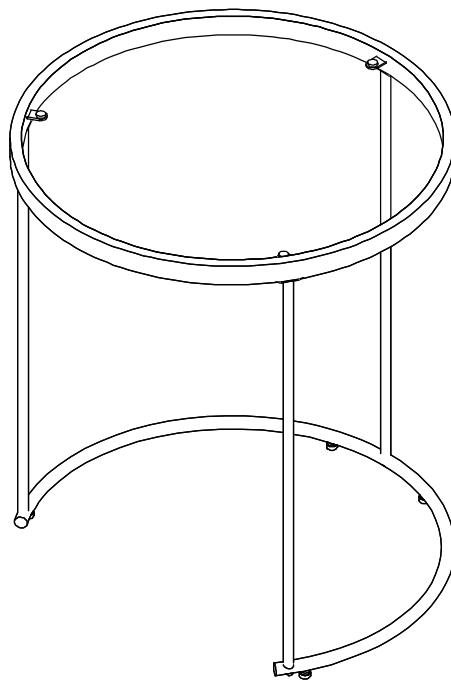
ITEM:935936

ASSEMBLY INSTRUCTIONS

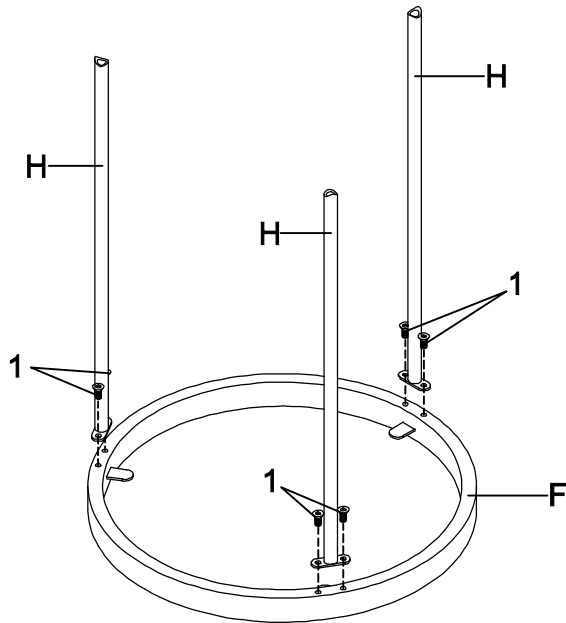
STEP 3



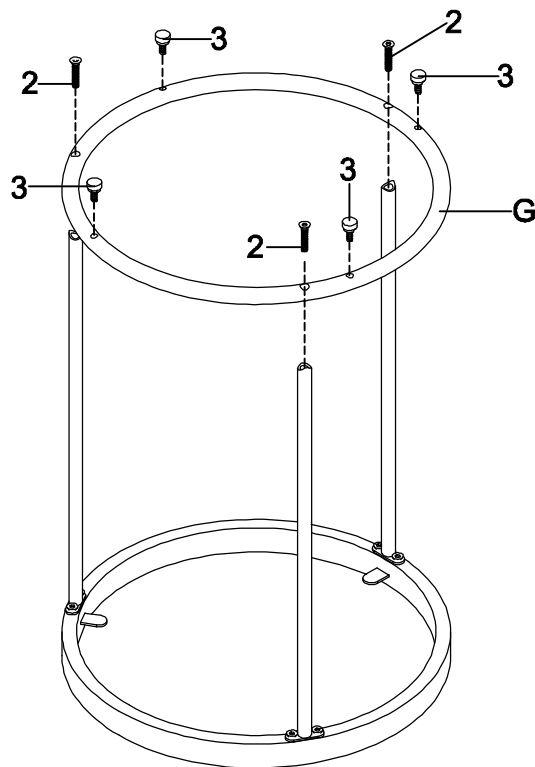
STEP 4



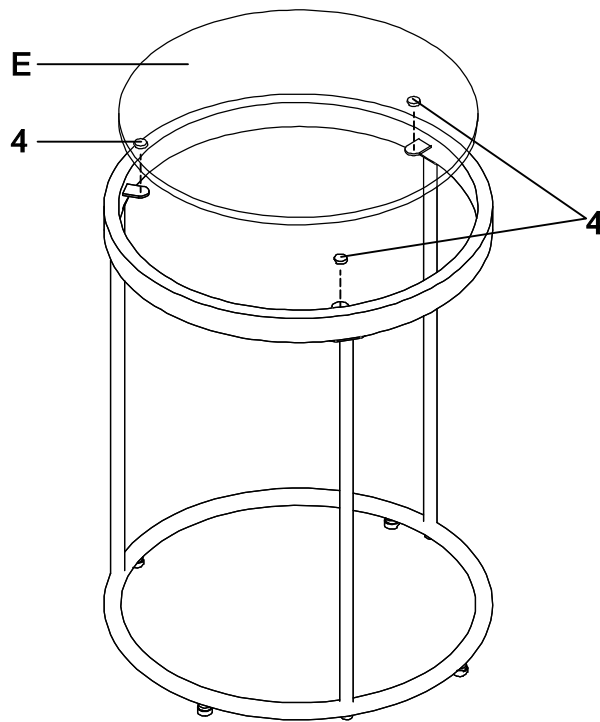
ITEM:935936
ASSEMBLY INSTRUCTIONS
STEP 5



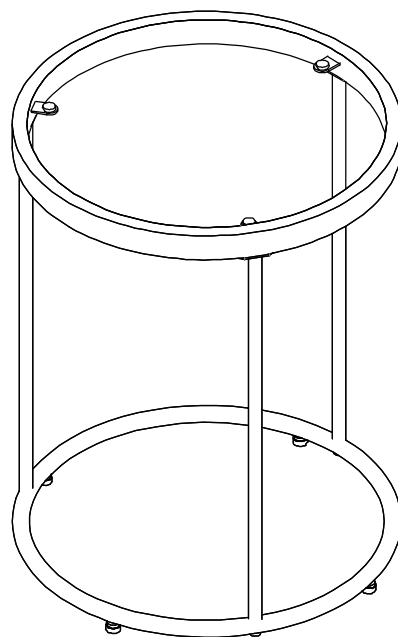
STEP 6



ITEM:935936
ASSEMBLY INSTRUCTIONS
STEP 7



STEP 8
COMPLETE

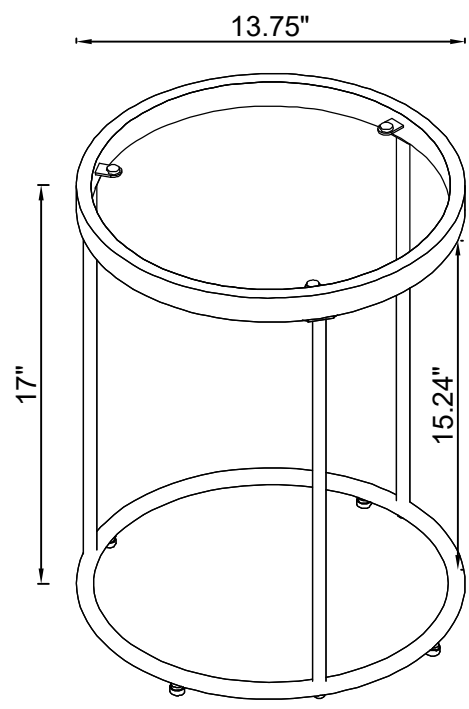
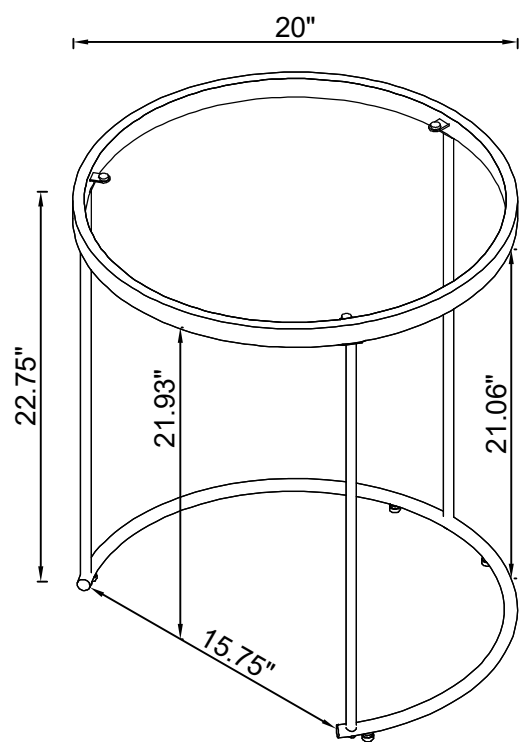


ITEM:935936 ASSEMBLY INSTRUCTIONS



Product Size : 508 DIA X 578 H (MM)
Product Size : 20" DIA X 22.75"

Product Size : 349 DIA X 432 H (MM)
Product Size : 13.75" DIA X 17"



Note : Dimension tolerance $\pm 5\%$