



*ASSEMBLY INSTRUCTIONS
COASTER FINE FURNITURE*



Fine Furniture for every stage of life

192952
Dining Side Chair

ITEM: 192952

ASSEMBLY INSTRUCTIONS

ASSEMBLY TIPS:

1. Remove hardware from box and sort by size.
2. Please check to see that all hardware and parts are present prior to start of assembly.
3. Please follow attached instruction in the same sequence as numbered to assure fast and easy assembly.



WARNING !



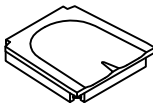




1. Don't attempt to repair or modify parts that are broken or defective. Please contact the store immediately.
2. This product is for home use only and not intended for commercial establishment.



ASSEMBLY TIME

20 MINUTES

PARTS IDENTIFICATION

| | | | | | | | |
|---|-----------------|---|-----|---|------------------|---|-----|
| A | BACK FRAME |  | 1PC | E | LEFT STRETCHER |  | 1PC |
| B | SEAT WITH FRAME |  | 1PC | F | RIGHT STRETCHER |  | 1PC |
| C | LEFT FRONT LEG |  | 1PC | G | MIDDLE STRETCHER |  | 1PC |
| D | RIGHT FRONT LEG |  | 1PC | | | | |

NOTE:

Quantities shown are for one chair.

ITEM: **192952**

ASSEMBLY INSTRUCTIONS

ASSEMBLY TIPS:

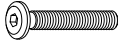


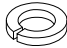
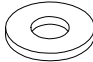


1. Remove hardware from box and sort by size.
2. Please check to see that all hardware and parts are present prior to start of assembly.
3. Please follow attached instruction in the same sequence as numbered to assure fast and easy assembly.



WARNING !

1. Don't attempt to repair or modify parts that are broken or defective. Please contact the store immediately.
2. This product is for home use only and not intended for commercial establishment.

HARDWARE IDENTIFICATION

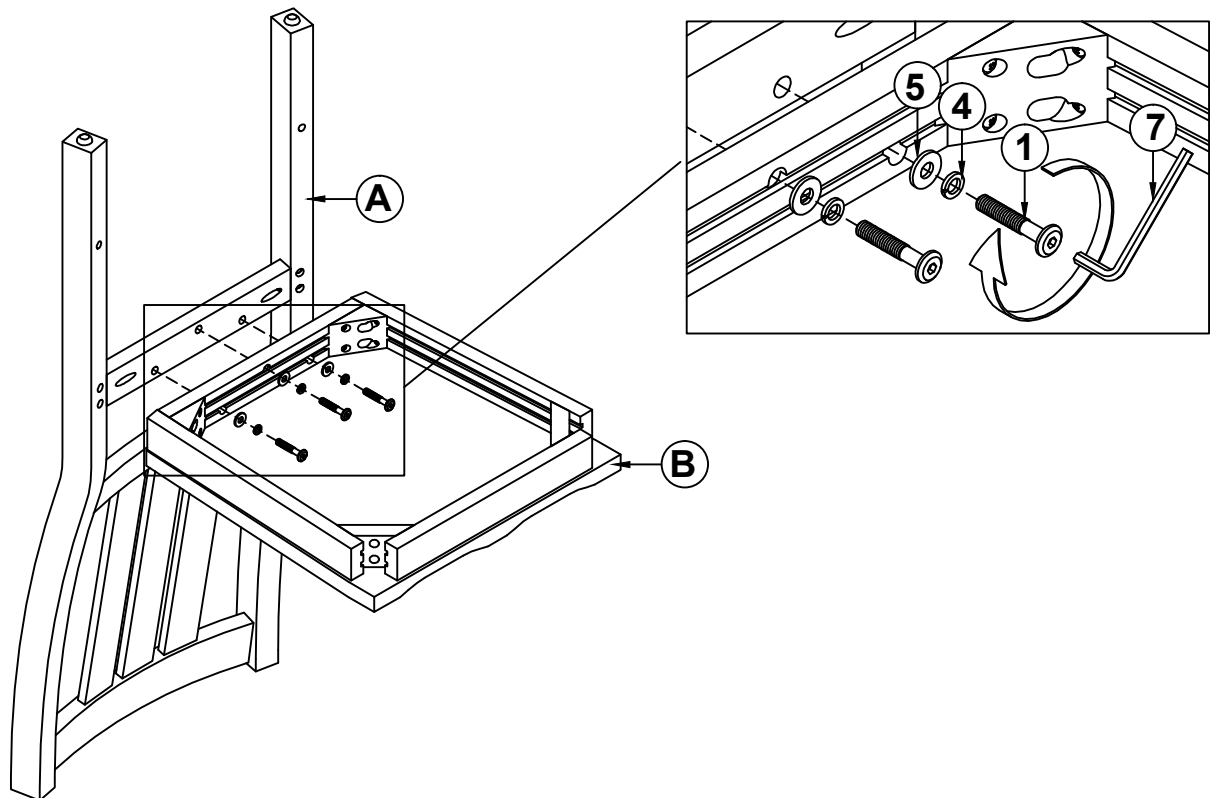
| | | | |
|---|---|--|--------------|
| 1 | SHORT BOLT (M8 x 45mm - BLK) |  | 3PCS |
| 2 | MEDIUM BOLT (M8 x 70mm - BLK) |  | 4PCS |
| 3 | LONG BOLT (M8 x 80mm - BLK) |  | 4PCS |
| 4 | LOCK WASHER (M8 - BLK) |  | 11PCS |
| 5 | FLAT WASHER (M8 - BLK) |  | 11PCS |
| 6 | PAN HEAD SCREW (Ø4 X 32mm - SR) |  | 6PCS |
| 7 | ALLEN WRENCH (M5 - BLK) |  | 1PC |

NOTE:

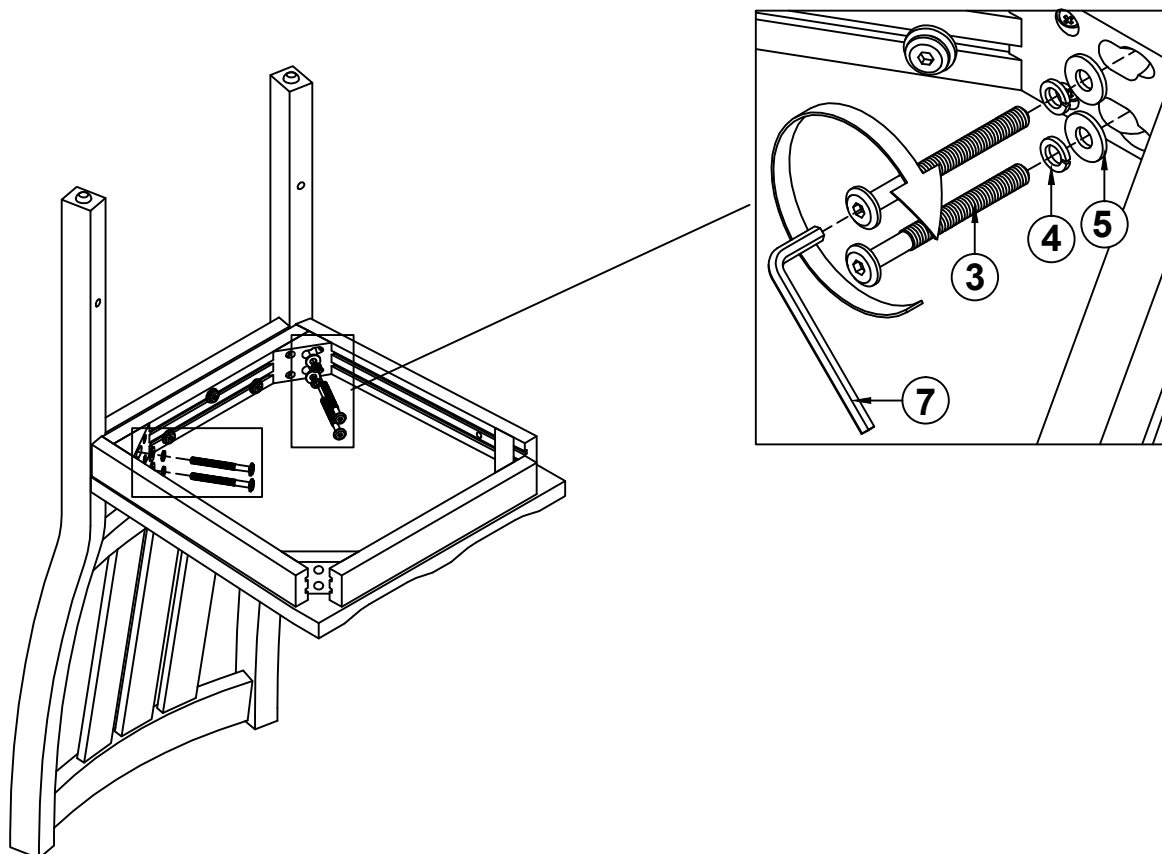
Philips head screw driver is required in the assembly process; however, manufacturer does not provide this item.
Quantities shown are for one chair.

ITEM: **192952**
ASSEMBLY INSTRUCTIONS

STEP 1

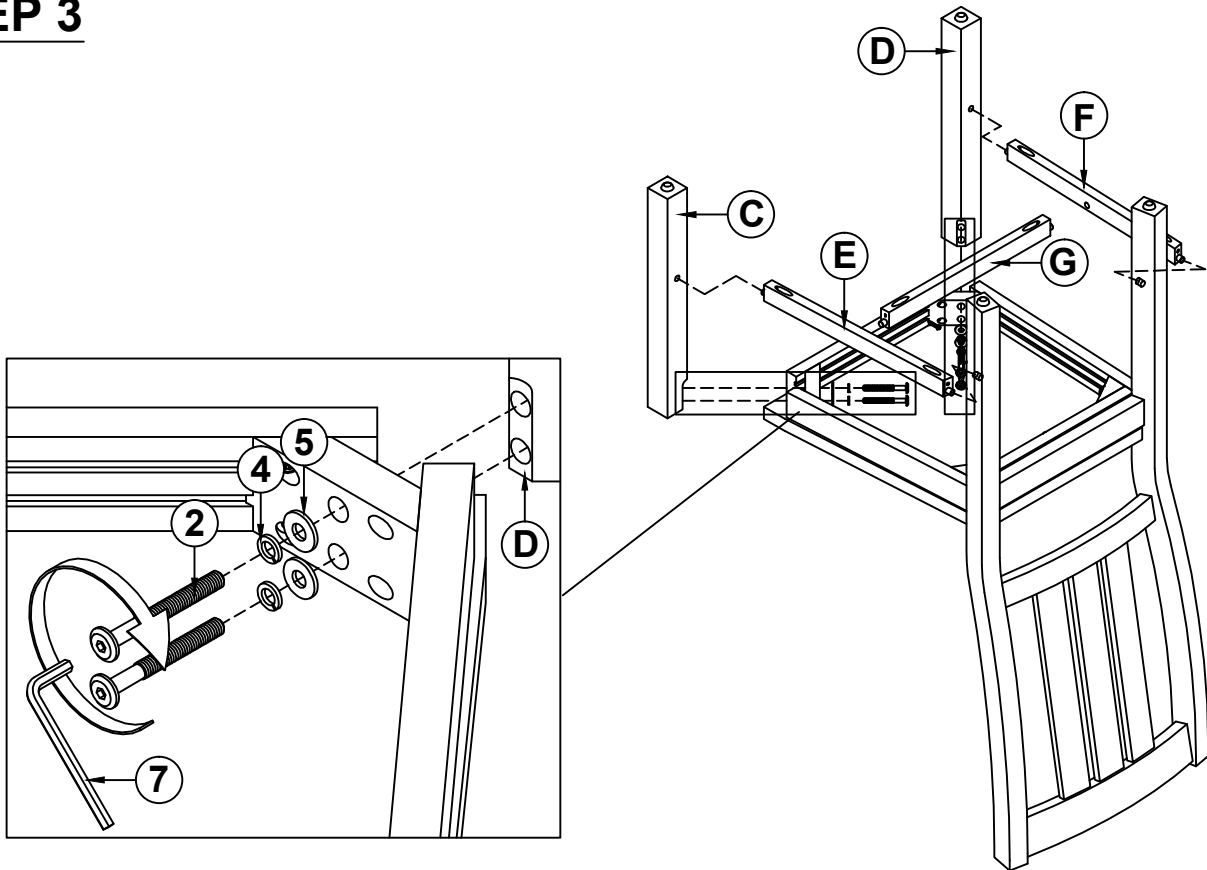


STEP 2

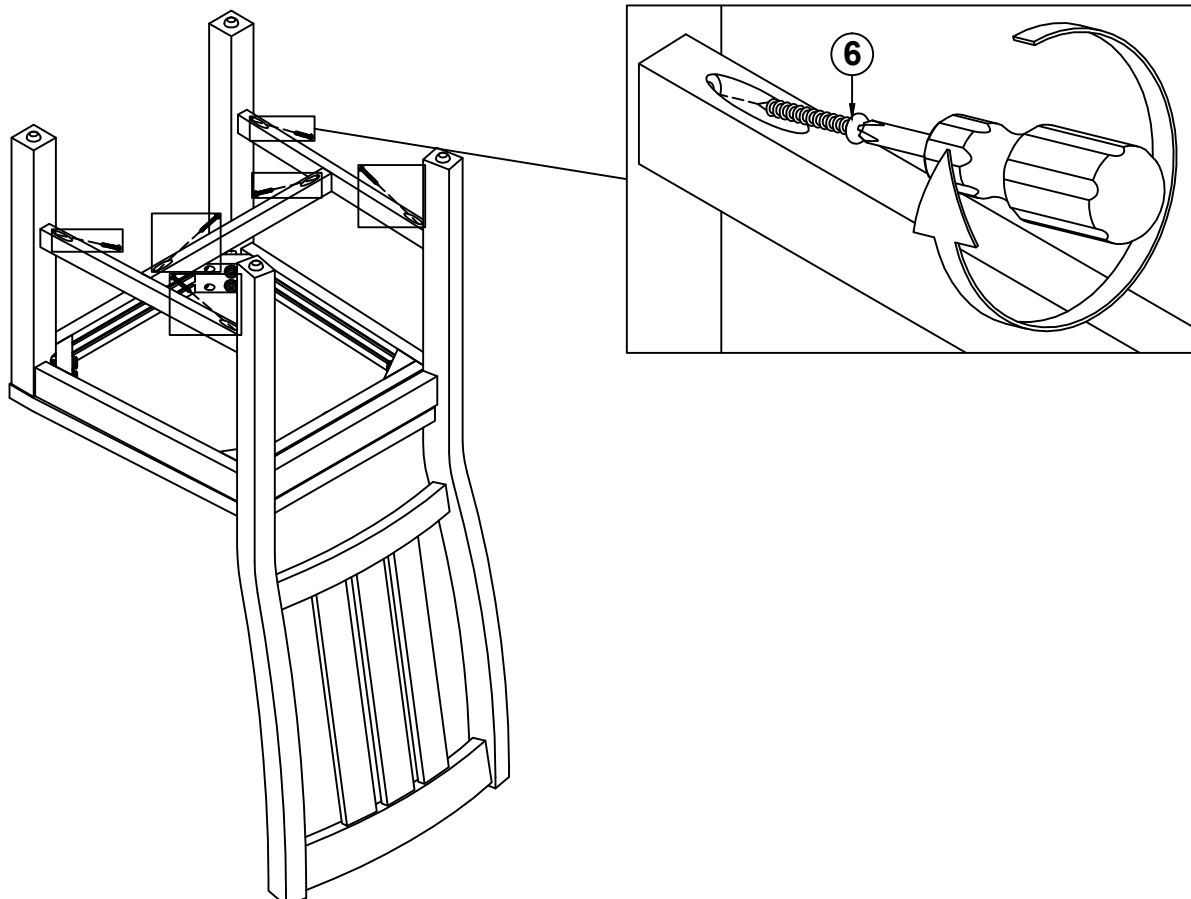


ITEM: **192952**
ASSEMBLY INSTRUCTIONS

STEP 3



STEP 4

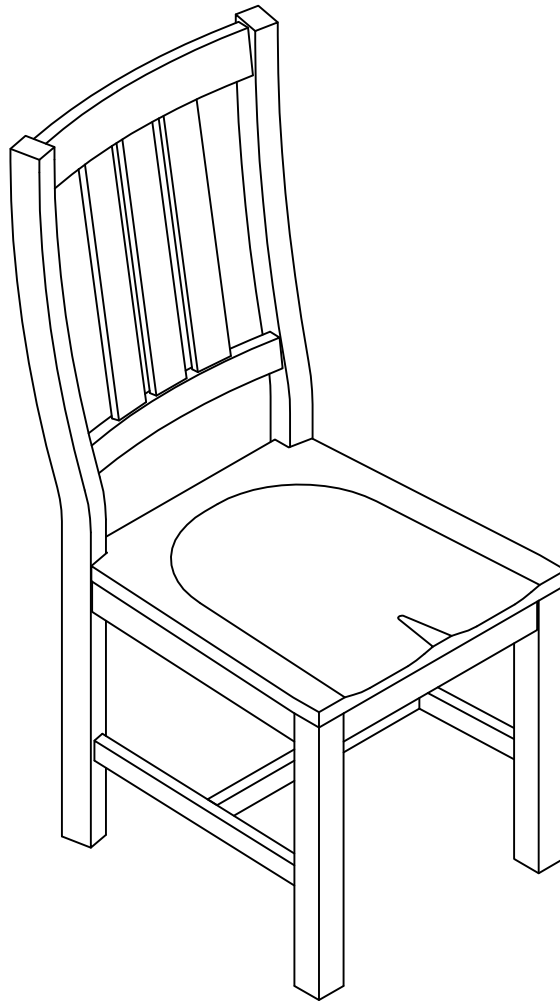


ITEM: **192952**

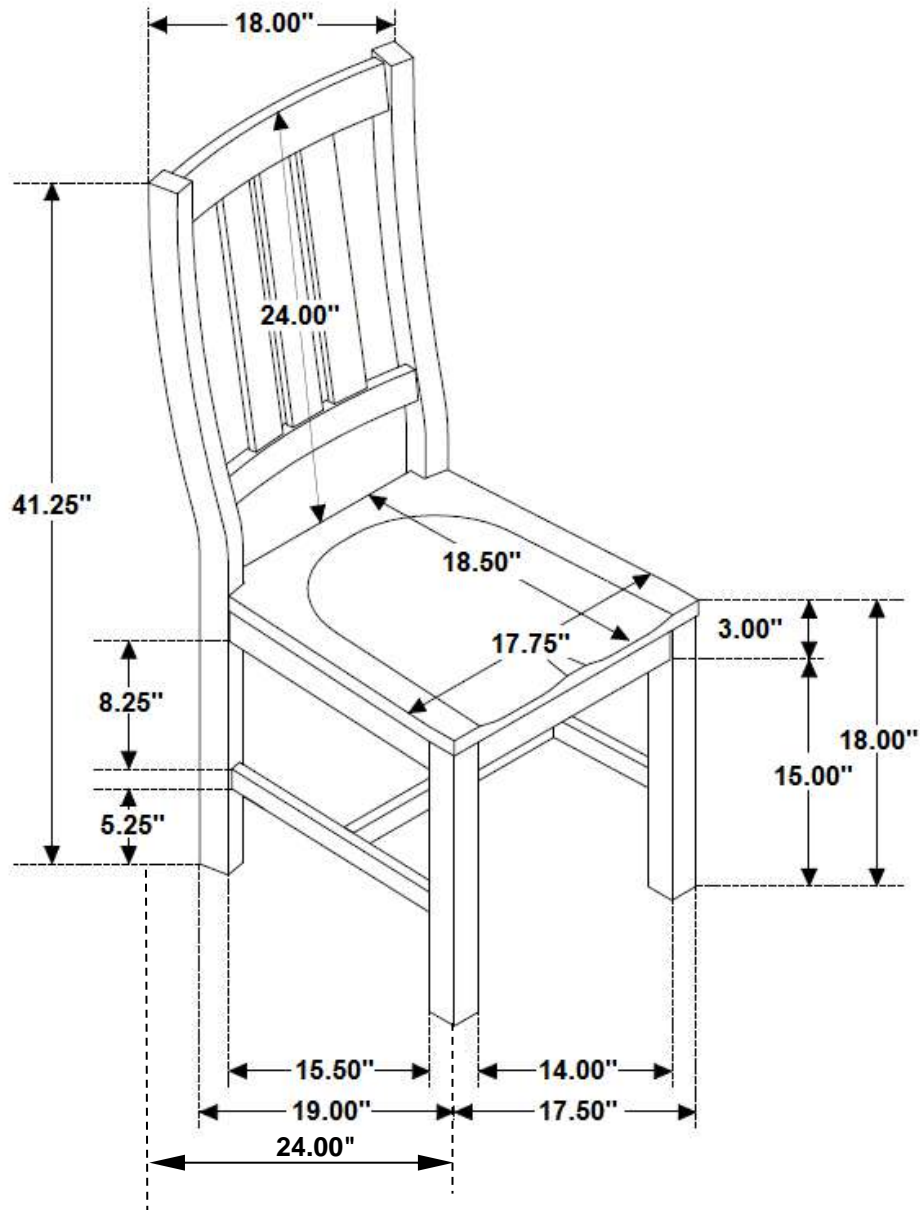
ASSEMBLY INSTRUCTIONS

STEP 5

COMPLETE



ITEM: **192952**



Note: Dimension tolerance $\pm 5\%$