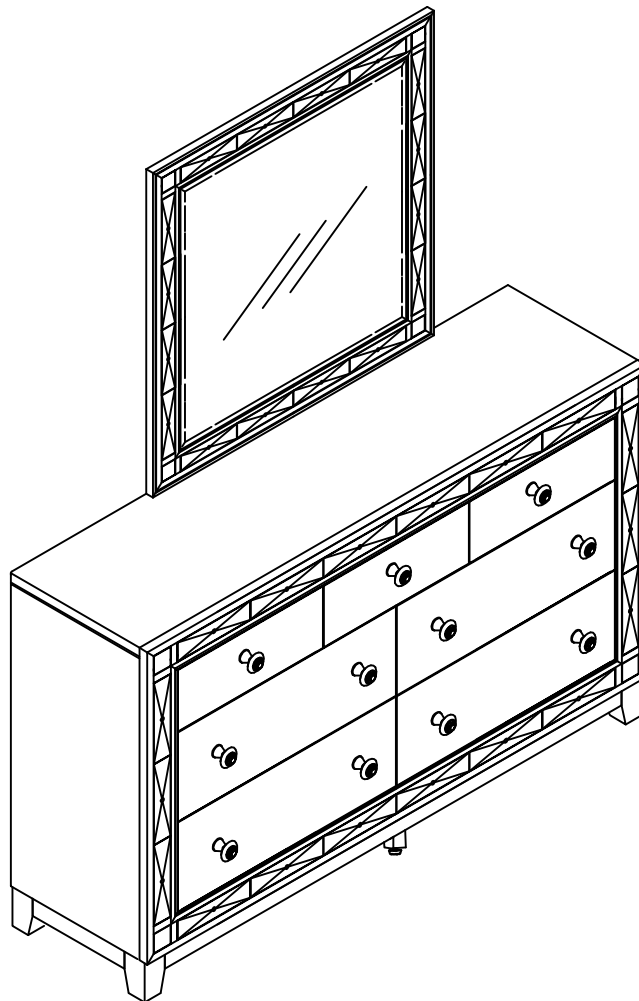


ASSEMBLY INSTRUCTIONS
COASTER FINE FURNITURE



Fine Furniture for every stage of life

204924
Mirror

ITEM: 204924

ASSEMBLY INSTRUCTIONS

ASSEMBLY TIPS:

1. Remove hardware from box and sort by size
2. Please check to see that all hardware and parts are present prior to start of assembly.
3. Please follow attached instruction in the same sequence as numbered to assure fast & easy assembly.



WARNING!

1. Don't attempt to repair or modify parts that are broken or defective. Please contact the store immediately.
2. This product is for home use only and not intended for commercial establishments.



ASSEMBLY TIME

15 MINUTES

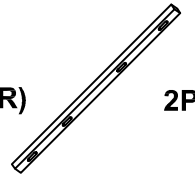
PARTS IDENTIFICATION

AN MIRROR



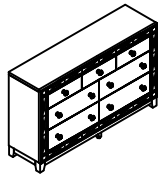
1PC

MIRROR SUPPORT
BN (PACKED WITH DRESSER)



2PCS

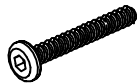
CN DRESSER
FROM BOX
ITEM# 204923



1PC

HARDWARE IDENTIFICATION

1 BOLT
(1/4" x 38mm - RBW)



6PCS

2 LOCK WASHER
(1/4" - RBW)



6PCS

3 FLAT WASHER
(1/4" - RBW)



6PCS

4 ALLEN WRENCH
(4MM - RBW)

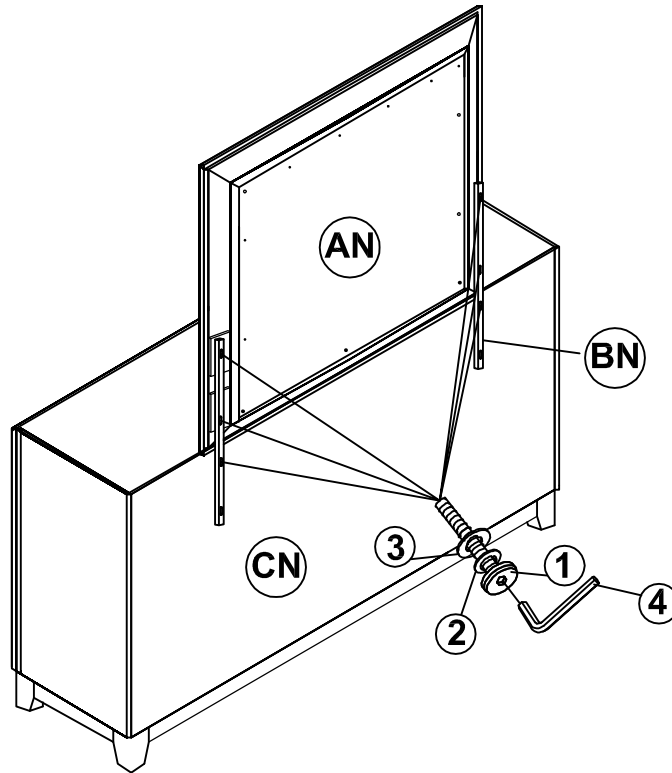


1PC

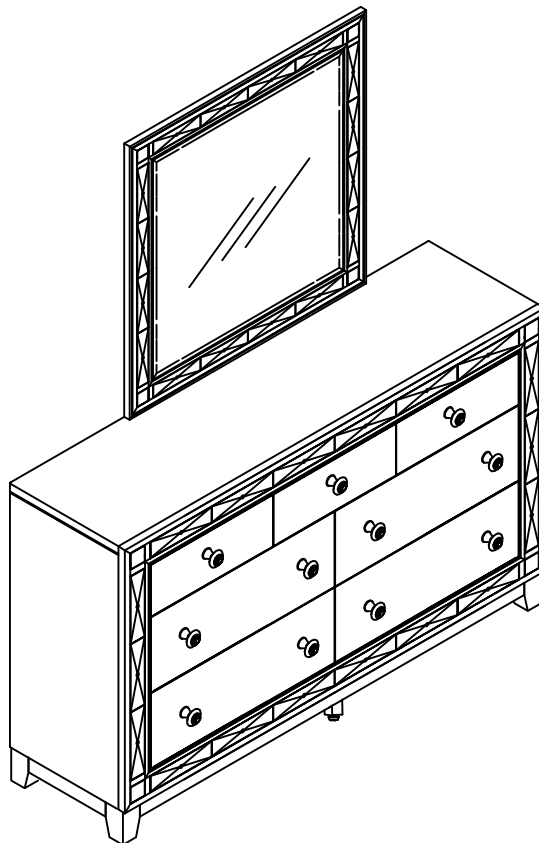
ITEM: **204924**

ASSEMBLY INSTRUCTIONS

STEP 1

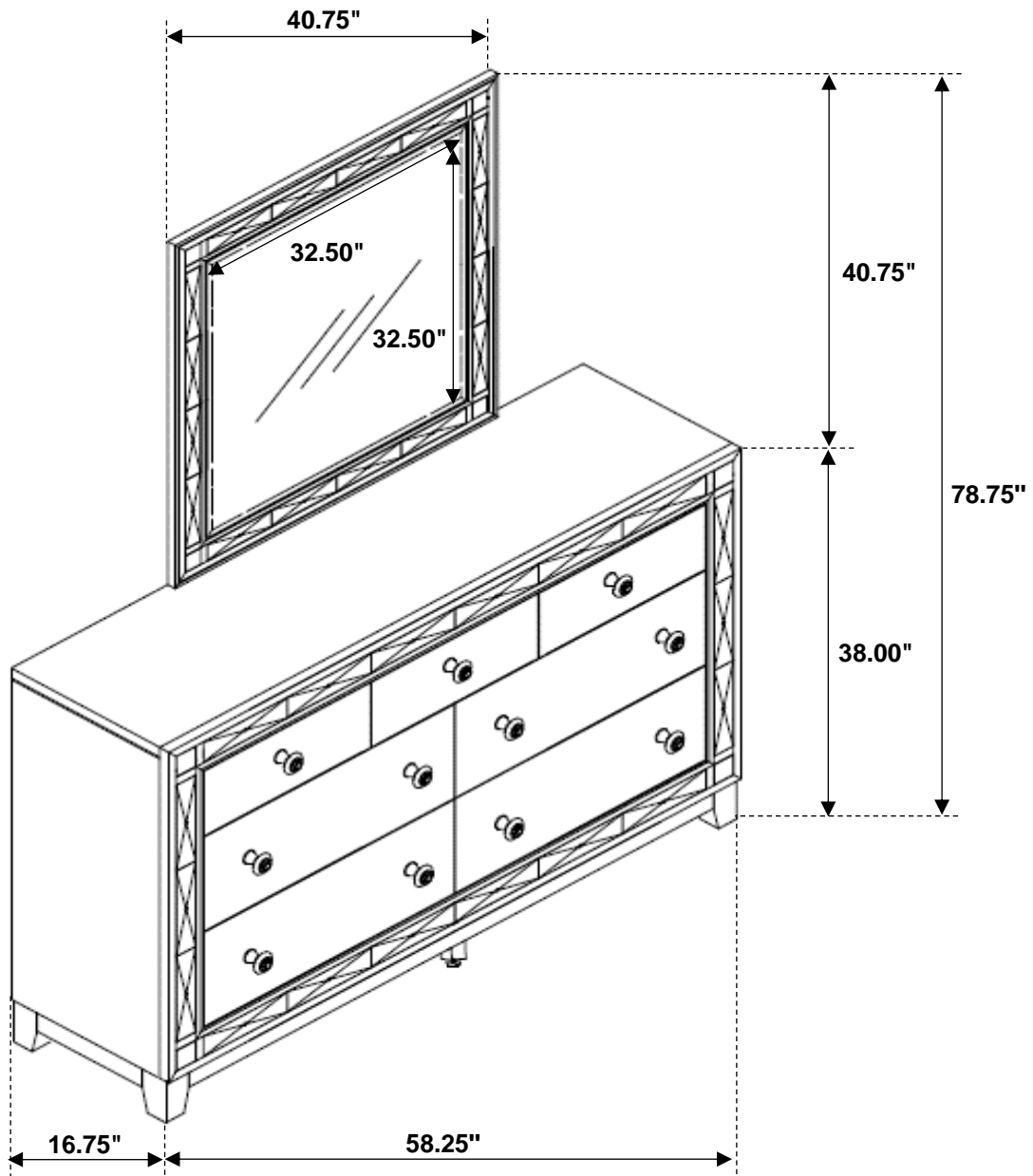


STEP 2
COMPLETE



ITEM:204924

COASTER
FINE FURNITURE



Note: Dimension tolerance $\pm 5\%$