

ASSEMBLY INSTRUCTIONS
COASTER FINE FURNITURE



Fine Furniture for every stage of life

930014
ACCENT TABLE

REVISION 0 : 09/25/2017
REVISION 1 : 05/09/2023

ITEM:930014



ASSEMBLY INSTRUCTIONS

ASSEMBLY TIPS:

1. Remove hardware from box and sort by size.
2. Please check to see that all hardware and parts are present prior to start of assembly.
3. Please follow attached instructions in the same sequence as numbered to assure fast & easy assembly.



WARNING!





1. Don't attempt to repair or modify parts that are broken or defective. Please contact the store immediately.
2. This product is for home use only and not intended for commercial establishments.

ASSEMBLY TIME 15 MINUTES

PARTS IDENTIFICATION

A	TOP		1PC
B	SIDE FRAME		2PCS
C	CROSSBAR		2PCS

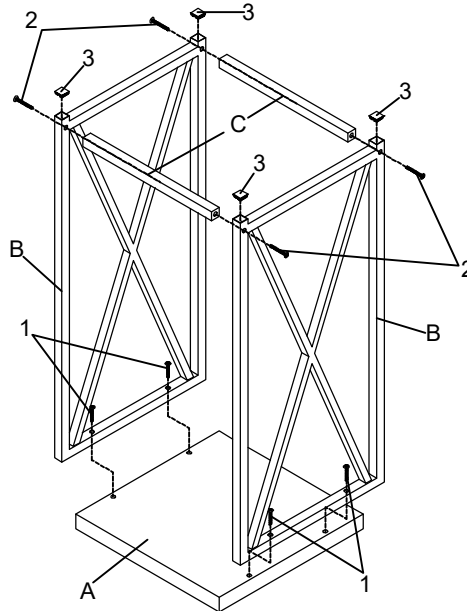
HARDWARE IDENTIFICATION

1	SHORT BOLT (1/4" x 28mm SR)		4PCS
2	LONG BOLT (1/4" x 38mm SR)		4PCS
3	CAP (18 x 18mm BLK)		4PCS
4	ALLEN WRENCH (4mm)		1PC

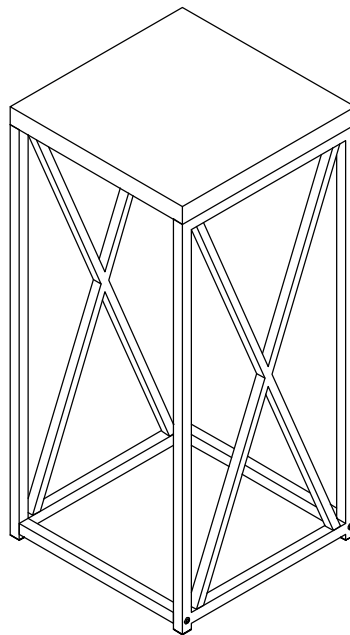
ITEM:930014 ASSEMBLY INSTRUCTIONS



STEP 1 Do not tighten until each step is completed or instructed.



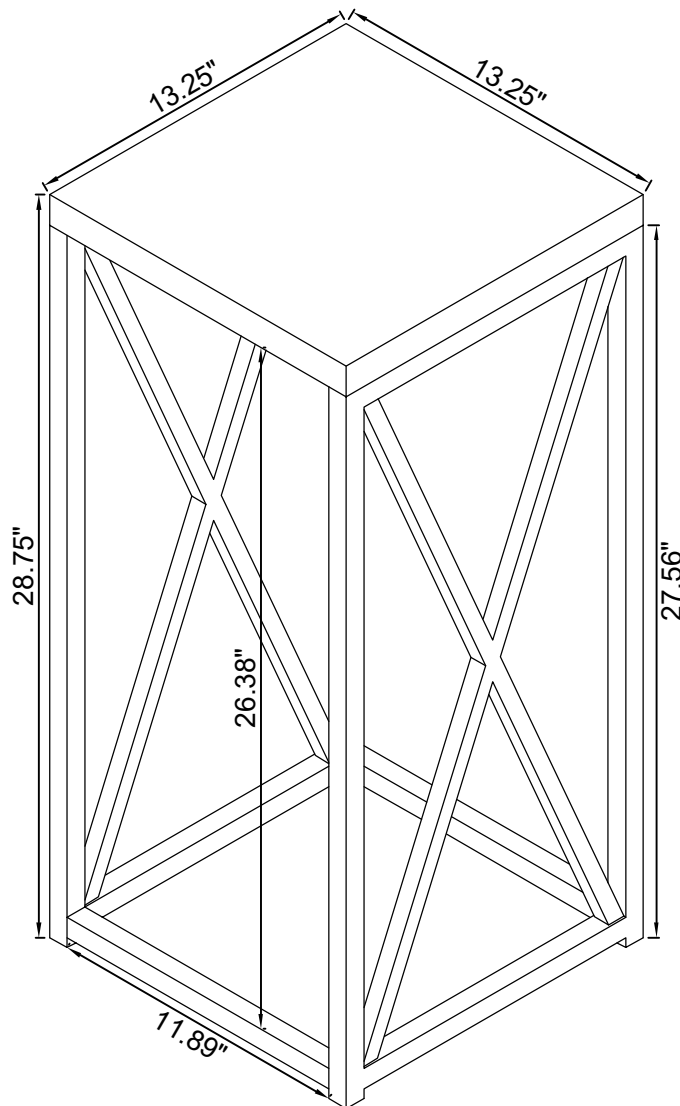
STEP 2
COMPLETE



ITEM:930014 ASSEMBLY INSTRUCTIONS



Product Size : 337 X 337 X 730 H (MM)
Product Size : 13 $\frac{1}{4}$" X 13 $\frac{1}{4}$" X 28 $\frac{3}{4}$"



Note : Dimension tolerance $\pm 5\%$